

ROPH

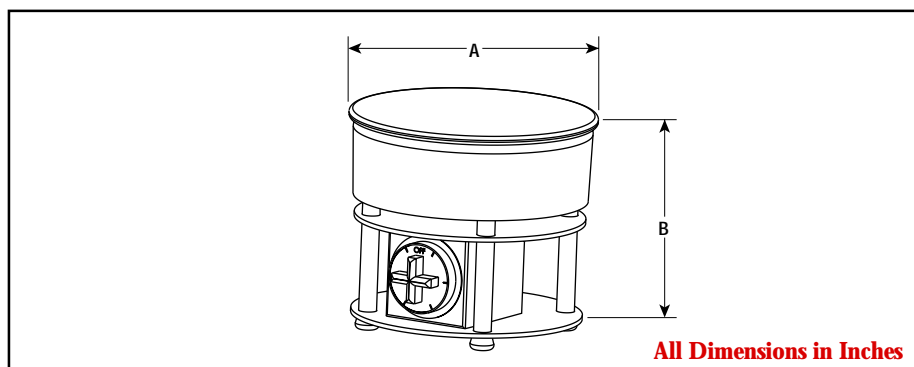
Heavy Duty Hot Plate



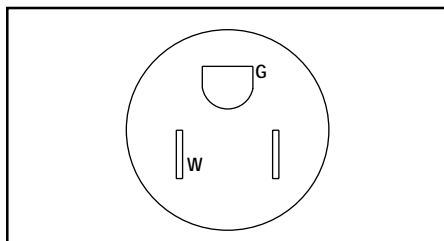
- 660 - 2,000 Watts
- 120 and 240 Volt
- Temp. to 1000°F
- 3-Heat or Infinite Control



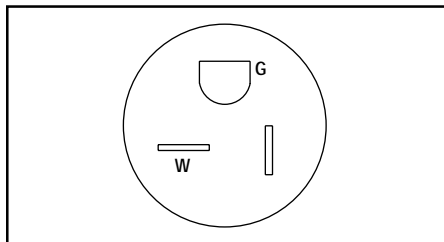
Dimensions



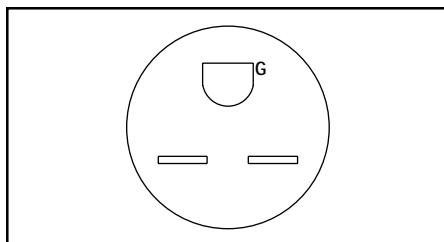
NEMA 5-15P



NEMA 5-20P



NEMA 6-15P



Applications

- Continuous Heavy Duty Laboratory Work
- For Heating Beakers and Pans
- Evaporations
- Heat Treatments
- Dehydrations

Features

Flat, Rugged Cast Heating Element is designed for heavy duty service. It is unaffected by physical and thermal shock. Spillovers cannot damage the heating unit.

Sturdy Frame

Enclosed Switch in a terminal box which protects it from excess heat and assures safety and long life.

Six Foot, 3-Conductor Cord — supplied with all models; has NEMA type plug.

3-Heat Switch — Low, medium or high temperature settings.

Chromatrol — devices have HI, LO and infinite control positions. Can be turned either to left or right to select proper heat from 0 to 100% wattage with infinite control over first 50% of total wattage. Energized continuously in HI position, at other settings it delivers selected input level under control of a simple bimetal timer.

Specifications and Ordering Information

Watts	Volts	DIM (In.)		NEMA Plug	Max. Surf. Temp. (°F)			Model	Stock	PCN	Wt. (Lbs.)
		A	B		Hi.	Med.	Lo.				
With 3-Heat Switch											
660	120	7	6-3/16	5-15P	700	500	350	ROPH-63	S	298177	6.5
1,000	120	7	6-3/16	5-15P	900	625	435	ROPH-103	S	298185	6.5
1,200	120	7	6-3/16	5-15P	970	695	495	ROPH-123	S	298193	6.5
1,200	240	7	6-3/16	6-15P	970	695	495	ROPH-123	S	298206	6.5
1,400	120	8-1/2	6-3/16	5-15P	875	625	450	ROPH-143	S	298214	10
1,500	240	8-1/2	6-3/16	6-15P	940	670	480	ROPH-153	S	298222	10
1,900	120	8-1/2	6-3/16	5-20P	950	760	570	ROPH-193	S	298230	10
2,000	240	8-1/2	6-3/16	6-15P	1000	800	600	ROPH-203	S	298249	10
With Chromatrol Infinite Control											
660	120	7	6-3/16	5-15P	700	—	—	ROPH-64	S	298257	6.5
1,000	120	7	6-3/16	5-15P	900	—	—	ROPH-104	S	298126	6.5
1,200	120	7	6-3/16	5-15P	970	—	—	ROPH-124	S	298134	6.5
1,400	120	8-1/2	6-3/16	5-15P	875	—	—	ROPH-144	S	298142	10
1,500	240	8-1/2	6-3/16	6-15P	940	—	—	ROPH-154	S	298150	10
2,000	240	8-1/2	6-3/16	6-15P	1000	—	—	ROPH-204	S	298169	10

Stock Status: S = stock AS = assembly stock NS = non-stock
To Order—Specify model, PCN, watts, volts and quantity.