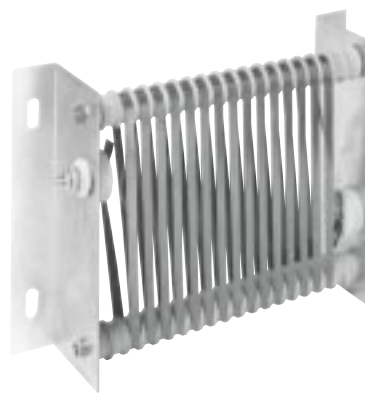


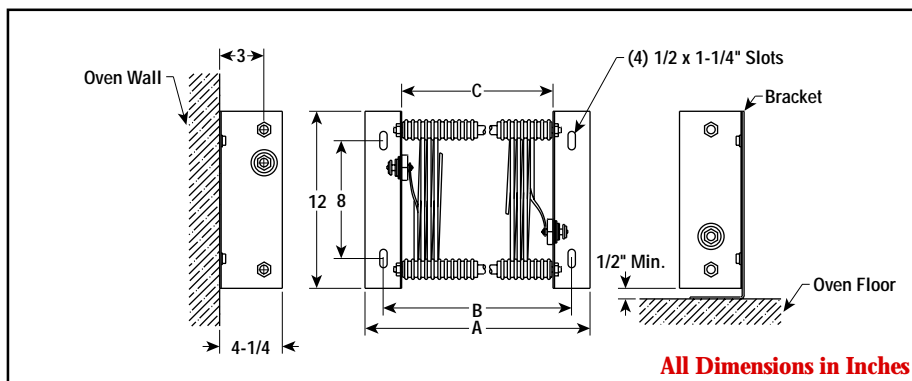
OV & OVS

Open Coil Oven Heaters

- 1,800 - 5,000 Watts
- 120 and 240 Volt
- Up to 750°F Max. Oven Temp. (type OV)
- Up to 1000°F Max. Oven Temp. (type OVS)



Dimensions



Applications

- Drying
- Baking and Japanning Ovens
- Heat Shrinking Plastic Tubing
- Curing Silicone Rubber Compounds
- Annealing
- Tempering

Features

Open Coil Assembly provides maximum heating surface.

Lower Temperature Gradient between the element's surface and the oven itself gives good heater life.

Mount Heaters on oven floor or wall.

Steel Frame — Type OV.

Stainless Steel Frame — Type OVS.

Construction

35 - 20 Nickel-Chromium Iron is spirally wound on steel (OV) or stainless steel (OVS) frame.

Heating Element supported by sturdy porcelain insulators.

Insulated Terminal is at each end of heater and connections may be made in series on voltages up to 480V.

Groups of Heaters may be wired for three phase usage.

Model Numbers must be identical when wiring heaters in series for use on higher voltages or in multiples for use on three phase.

Specifications and Ordering Information

Watts	Volts	Dimensions (In.)			Model	Stock	PCN	Wt. (Lbs.)
		A	B	C				
OV — Up to 750°F Max. Oven Temperature								
1,800	120	17-3/8	15-1/2	13-3/8	OV-18	S	261075	14
2,500	120	17-3/8	15-1/2	13-3/8	OV-25	S	261083	14
3,800	240	25-7/8	24	21-7/8	OV-38	S	261091	18
5,000	240	27-7/8	26	23-7/8	OV-50	S	261104	21
OVS — Up to 1000°F Max. Oven Temperature								
5,000	240	33	31-1/8	29	OVS-50	S	261112	30
Stock Status: S = stock AS = assembly stock NS = non-stock To Order —Specify model, PCN, watts, volts and quantity.								

Refer to
Electromechanical Controls
and Thermostats in the Controls
section.