

SKR

Single Fixed Element Radiant Heater



- 0.8 - 3.6 kW
- 2,730 - 12,283 Btuh
- 120, 208, 240, 275 and 480 Volt
- Single Phase
- Protective Grille

Description

SKR metal sheath infrared radiant heaters provide comfort heat in indoor and protected outdoor locations. The radiant heaters are not dependent upon air movement and offer zone control flexibility. They can be used for supplemental heat in problem spots or as a complete heating system.

Applications

- Indoor Tennis Courts and Racquetball
- Warehouses
- Factories
- Indoor Swimming Pools
- Parts Counters
- Shipping and Receiving Areas

Construction

Extruded Aluminum Housing — Rugged design provides added protection to heating element and reflector.

Protective Grille — Helps protect personnel from direct contact with hot element.

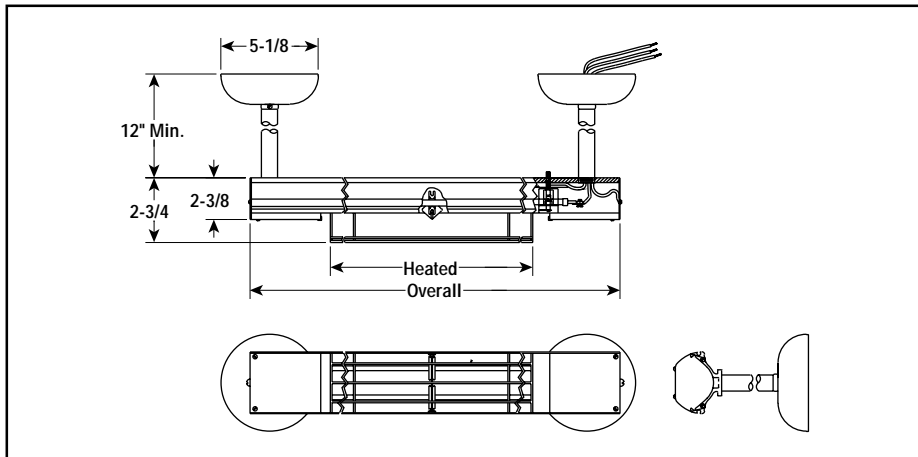
Heating Elements — Triangular cross section 3/8" diameter alloy sheath element located at the focal point of a built-in optically designed, polished aluminum parabolic reflector.

Mounting and Wiring with Hanger Kit consisting of 2 ea. canopies, 12" long 3/8" conduits and hanger brackets.

For Ceiling Mounting to 12 Feet Heights — While stems can be bent to direct radiation,

Refer to
WR-80, WR-90,
VCF, VCS, VCR, HCP
in the Controls section.

Dimensions (Inches)



UL listing applies to type SKR installed with a minimum spacing: 12" from ceiling as provided by fixture stems, 6' from floor and 24" from walls.

Advantages

- Minimum Maintenance
- Easy Installation

- No Toxic Byproducts of Combustion
- Fast Response
- Easy to Control

CAUTION — Not intended for use where flammable vapors, gases, liquids or other combustible atmospheres are present.

Specifications and Ordering Information

| Electrical | | | | Dimensions (In.) | | | Ordering | | | Wt. (Lbs.) |
|------------|-------|-------|-----------|------------------|---------------|----------------|----------|-------|--------|------------|
| kW | Volts | Phase | No. Elem. | Btuh | Heated Length | Overall Length | Model | Stock | PCN | |
| 0.8 | 120 | 1 | 1 | 2,730 | 16-3/4 | 24-3/8 | SKR-2083 | S | 120184 | 9 |
| 0.8 | 208 | 1 | 1 | 2,730 | 16-3/4 | 24-3/8 | SKR-2083 | AS | 120192 | 9 |
| 0.8 | 240 | 1 | 1 | 2,730 | 16-3/4 | 24-3/8 | SKR-2083 | S | 120205 | 9 |
| 1.1 | 120 | 1 | 1 | 3,753 | 22-5/8 | 30-5/8 | SKR-3113 | S | 120213 | 11 |
| 1.1 | 208 | 1 | 1 | 3,753 | 22-5/8 | 30-5/8 | SKR-3113 | S | 120221 | 11 |
| 1.1 | 240 | 1 | 1 | 3,753 | 22-5/8 | 30-5/8 | SKR-3113 | S | 120230 | 11 |
| 1.8 | 208 | 1 | 1 | 6,142 | 38-5/8 | 46-5/8 | SKR-4183 | S | 120248 | 13 |
| 1.8 | 240 | 1 | 1 | 6,142 | 38-5/8 | 46-5/8 | SKR-4183 | S | 120256 | 13 |
| 1.8 | 275 | 1 | 1 | 6,142 | 38-5/8 | 46-5/8 | SKR-4183 | S | 120803 | 13 |
| 2.5 | 208 | 1 | 1 | 8,530 | 53-3/8 | 61-3/8 | SKR-5253 | AS | 120264 | 17 |
| 2.5 | 240 | 1 | 1 | 8,530 | 53-3/8 | 61-3/8 | SKR-5253 | S | 120272 | 17 |
| 2.5 | 275 | 1 | 1 | 8,530 | 53-3/8 | 61-3/8 | SKR-5253 | AS | 120838 | 17 |
| 2.5 | 480 | 1 | 1 | 8,530 | 53-3/8 | 61-3/8 | SKR-5253 | S | 120280 | 17 |
| 3 | 208 | 1 | 1 | 10,236 | 65-3/4 | 73-3/4 | SKR-6303 | S | 120299 | 19 |
| 3 | 240 | 1 | 1 | 10,236 | 65-3/4 | 73-3/4 | SKR-6303 | S | 120301 | 19 |
| 3 | 275 | 1 | 1 | 10,236 | 65-3/4 | 73-3/4 | SKR-6303 | AS | 120846 | 19 |
| 3 | 480 | 1 | 1 | 10,236 | 65-3/4 | 73-3/4 | SKR-6303 | S | 120310 | 19 |
| 3.6 | 208 | 1 | 1 | 12,283 | 77-3/4 | 85-3/4 | SKR-7363 | S | 120820 | 21 |
| 3.6 | 240 | 1 | 1 | 12,283 | 77-3/4 | 85-3/4 | SKR-7363 | S | 120328 | 21 |
| 3.6 | 275 | 1 | 1 | 12,283 | 77-3/4 | 85-3/4 | SKR-7363 | S | 120811 | 21 |
| 3.6 | 480 | 1 | 1 | 12,283 | 77-3/4 | 85-3/4 | SKR-7363 | S | 120336 | 21 |

Stock Status: S = stock AS = assembly stock NS = non-stock
To Order—Specify model, PCN, kW, volts, phase and quantity.

Note — Center-to-center distance between canopies is 1-1/2" less than overall length. Canopy diameter is 5-1/4 inches.