

## HDH

### Hose Down Corrosion Resistant Blower Heater

- 2 - 39 kW
- 6,800 - 133,110 Btuh
- 120, 208, 277, 480 and 575 Volt
- 1 & 3 Phase
- Built-in Controls
- Wall or Ceiling Mounted Configurations

#### Description

This reliable, rugged, self-contained HDH heater is an ideal heat source for freeze protection or comfort heat in dusty/dirty/corrosive non-hazardous environment.

#### Applications

Waste Water Treatment Plants, Coal Handling Areas, Food Processing Plants, Foundries, Steel Mills, Cement Plants, Ships, Construction Sites, Car Washes, Swimming Pool Areas, Canneries, Hose Down (for cleaning). Corrosion Resistant for Harsh Environments and Dairies.

#### Construction

**Roll Formed Case** is constructed of 20 gauge corrosion resistant type 304 stainless steel.

**Adjustable Discharge Grille** directs air flow up or down as needed.

**NEMA 4X Control Enclosure** houses the heater controls, contactors and control voltage transformer.

**Heating Elements** — High quality, long-life, Stainless Steel Fintube® (type 316) with stainless steel threaded fittings, which form a watertight seal between the elements and junction box, offer maximum resistance to corrosion.

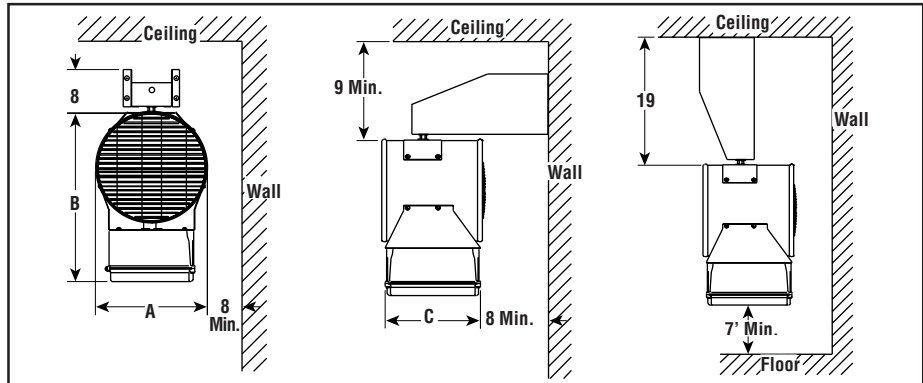
Refer to  
WCRT  
in the Controls section.



Shown with optional thermostat, pilot light and selector switch.



#### Dimensions (Inches)



#### Dimensions (Inches)

kW	Volts	Phase	A	B	C
2.0 - 7.5	All	1, 3	13-5/8	20-3/4	13-1/4
10.5 - 20.0	All	1, 3	16-3/4	24-1/8	14-1/8
25.0 - 39.0	480, 575	3	21-1/8	30-1/2	16

**Totally Enclosed Motor** — The motor is permanently lubricated, ball bearing type and is epoxy painted for moisture and corrosion resistance.

**Dynamically Balanced Fan** — Aluminum fan is epoxy coated and provides optimum air flow across the heating elements.

#### Features

**Transformer** provides a 120V control circuit (24V optional). Standard on all units except 2 kW and 3 kW, 120V, 208V or 240V single phase.

**Heavy Duty Contactors** for heating circuit and motor are included.

**Automatic Reset Thermal Cutout** is provided for fast heat response and overheat protection.

**Epoxy Sealed Fan Delay** dissipates residual heat build-up after shutdown.

**Swivel Mounting Brackets** made of Stainless Steel for swivel wall and ceiling mounting.

#### Optional Features

- Integral Thermostat 55°F to 105°F\*
  - Pilot Light Indicates Heater Operation\*
  - Selector Switch (3 position) — Heater On,\* Off or Fan Only Operation for Heater
  - Disconnect Switch
  - Manual Reset Cutout
  - Anodized Aluminum Case
  - Epoxy Painted Stainless Steel Case
  - 24V Control Circuit
  - MONEL® Elements
- \*HDH-A Series heaters with TSP suffix includes thermostat, selector switch and pilot light.

#### Advantages

Because it has an adjustable discharge grille to direct air flow, and can be wall or ceiling (plus swivel) mounted, the HDH heater may be used in a variety of heating applications:

- Primary Heating
- Supplementary Heating
- Dual System Heating
- Spot Heating
- Entryway Air-Curtain Heating
- Freeze Protection

## HDH

### Hose Down Corrosion

### Resistant Blower Heater *(cont'd.)*

#### *Specifications and Ordering Information*

Electrical (60 Hz)				Motor				Air Delivery				Mtg. Height (Ft.)	Ordering			
kW	Volts	Phase	Amps	Volts	Phase	HP	RPM	CFM	FPM	Temp. Rise (°F)	Horiz. Throw (Ft.)		Model	Stock	PCN	Wt. (Lbs.)
2	120	1	16.7	115	1	1/15	1,050	405	430	21	12	8	HDH-A-200	NS	213428	45
2	208	1	9.6	208	1	1/15	1,050	405	430	21	12	8	HDH-A-200	NS	213436	45
2	240	1	8.3	240	1	1/15	1,050	405	430	21	12	8	HDH-A-200	NS	213444	45
2	277	1	7.2	277	1	1/15	1,050	405	430	21	12	8	HDH-A-200	NS	213452	45
3	120	1	25.0	115	1	1/15	1,050	405	430	31	12	8	HDH-A-300	NS	213460	45
3	208	1	14.4	208	1	1/15	1,050	405	430	31	12	8	HDH-A-300	NS	213479	45
3	240	1	12.5	240	1	1/15	1,050	405	430	31	12	8	<b>HDH-A-300</b>	<b>S</b>	<b>213487</b>	45
3	277	1	10.8	277	1	1/15	1,050	405	430	31	12	8	HDH-A-300	NS	213495	45
5	208	1	24.0	208	1	1/15	1,050	405	430	40	12	8	HDH-A-500	NS	213508	50
5	240	1	20.8	240	1	1/15	1,050	405	430	40	12	8	HDH-A-500	NS	213516	50
5	277	1	18.1	277	1	1/15	1,050	405	430	40	12	8	HDH-A-500	NS	213524	50
5	480	1	10.4	480	1	1/15	1,050	405	430	40	12	8	HDH-A-500	NS	213532	50
5	208	3	13.9	208	1	1/15	1,050	405	430	40	12	8	HDH-A-500	NS	213540	50
5	240	3	12.0	240	1	1/15	1,050	405	430	40	12	8	HDH-A-500	NS	213559	50
5	480	3	6.0	480	1	1/15	1,050	405	430	40	12	8	<b>HDH-A-500</b>	<b>S</b>	<b>213567</b>	50
5	480	3	6.0	480	1	1/15	1,050	405	430	40	12	8	<b>HDH-A-500 TSP*</b>	<b>S</b>	<b>213962</b>	51
5	575	3	5.0	575	1	1/15	1,050	405	430	40	12	8	HDH-A-500	NS	213575	50
7.5	208	1	36.1	208	1	1/15	1,050	590	640	37	13	8	HDH-A-750	NS	213583	50
7.5	240	1	31.3	240	1	1/15	1,050	590	640	37	13	8	HDH-A-750	NS	213591	50
7.5	277	1	27.1	277	1	1/15	1,050	590	640	37	13	8	HDH-A-750	NS	213604	50
7.5	480	1	15.6	480	1	1/15	1,050	590	640	37	13	8	HDH-A-750	NS	213612	50
7.5	208	3	20.8	208	1	1/15	1,050	590	640	37	13	8	HDH-A-750	NS	213620	50
7.5	240	3	18.1	240	1	1/15	1,050	590	640	37	13	8	HDH-A-750	NS	213639	50
7.5	480	3	9.0	480	1	1/15	1,050	590	640	37	13	8	<b>HDH-A-750</b>	<b>S</b>	<b>213647</b>	50
7.5	480	3	9.0	480	1	1/15	1,050	590	640	37	13	8	<b>HDH-A-750 TSP*</b>	<b>S</b>	<b>213970</b>	51
7.5	575	3	7.5	575	1	1/15	1,050	590	640	37	13	8	HDH-A-750	NS	213655	50
10	240	1	41.7	240	1	1/15	1,050	1,180	800	28	40	9	HDH-A-1000	NS	213663	60
10	277	1	36.1	277	1	1/15	1,050	1,180	800	28	40	9	HDH-A-1000	NS	213671	60
10	480	1	20.8	480	1	1/15	1,050	1,180	800	28	40	9	HDH-A-1000	NS	213680	60
10	208	3	27.8	208	1	1/15	1,050	1,180	800	28	40	9	HDH-A-1000	NS	213698	60
10	240	3	24.1	240	1	1/15	1,050	1,180	800	28	40	9	HDH-A-1000	NS	213700	60
10	480	3	12.0	480	1	1/15	1,050	1,180	800	28	40	9	<b>HDH-A-1000</b>	<b>S</b>	<b>213719</b>	60
10	480	3	12.0	480	1	1/15	1,050	1,180	800	28	40	9	<b>HDH-A-1000 TSP*</b>	<b>S</b>	<b>213989</b>	61
10	575	3	10.1	575	1	1/15	1,050	1,180	800	28	40	9	HDH-A-1000	NS	213727	60
12.5	277	1	45.1	277	1	1/15	1,050	1,180	800	36	40	9	HDH-A-1250	NS	213735	60
12.5	480	1	26.0	480	1	1/15	1,050	1,180	800	36	40	9	HDH-A-1250	NS	213743	60
12.5	208	3	34.7	208	1	1/15	1,050	1,180	800	36	40	9	HDH-A-1250	NS	213751	60
12.5	240	3	30.1	240	1	1/15	1,050	1,180	800	36	40	9	HDH-A-1250	NS	213760	60
12.5	480	3	15.1	480	1	1/15	1,050	1,180	800	36	40	9	HDH-A-1250	NS	213778	60
12.5	575	3	12.6	575	1	1/15	1,050	1,180	800	36	40	9	HDH-A-1250	NS	213786	60
15	480	1	31.3	480	1	1/15	1,050	1,330	900	32	45	10	HDH-A-1500	NS	213794	60
15	208	3	41.7	208	1	1/15	1,050	1,330	900	32	45	10	HDH-A-1500	NS	213807	60
15	240	3	36.1	240	1	1/15	1,050	1,330	900	32	45	10	HDH-A-1500	NS	213815	60
15	480	3	18.1	480	1	1/15	1,050	1,330	900	32	45	10	<b>HDH-A-1500</b>	<b>S</b>	<b>213823</b>	60
15	480	3	18.1	480	1	1/15	1,050	1,330	900	32	45	10	<b>HDH-A-1500 TSP*</b>	<b>S</b>	<b>213997</b>	61
15	575	3	15.1	575	1	1/15	1,050	1,330	900	32	45	10	HDH-A-1500	NS	213831	60
19.5	240	3	47.0	240	1	1/15	1,050	1,330	900	42	45	11	HDH-A-2000	NS	213840	60
20	480	1	41.7	480	1	1/15	1,050	1,330	900	42	45	11	HDH-A-2000	NS	213858	60
20	480	3	24.1	480	1	1/15	1,050	1,330	900	42	45	11	<b>HDH-A-2000</b>	<b>S</b>	<b>213866</b>	60
20	480	3	24.1	480	1	1/15	1,050	1,330	900	42	45	11	<b>HDH-A-2000 TSP*</b>	<b>S</b>	<b>214009</b>	61
20	575	3	20.1	575	1	1/15	1,050	1,330	900	42	45	11	HDH-A-2000	NS	213874	60
25	480	3	30.1	480	3	1/3	1,550	1,800	740	42	48	12	<b>HDH-A-2500</b>	<b>S</b>	<b>213882</b>	80
25	575	3	25.1	575	3	1/3	1,550	1,800	740	42	48	12	HDH-A-2500	NS	213911	80
30	480	3	36.1	480	3	1/3	1,550	1,800	740	50	48	13	<b>HDH-A-3000</b>	<b>S</b>	<b>213890</b>	80
30	575	3	30.2	575	3	1/3	1,550	1,800	740	50	48	13	HDH-A-3000	NS	213920	80
35	480	3	42.1	480	3	1/3	1,550	1,800	740	57	48	14	HDH-A-3500	NS	213938	80
35	575	3	35.2	575	3	1/3	1,550	1,800	740	57	48	14	HDH-A-3500	NS	213946	80
39	480	3	47.0	480	3	1/3	1,550	1,800	740	65	48	15	<b>HDH-A-4000</b>	<b>S</b>	<b>213903</b>	80
39	575	3	39.2	575	3	1/3	1,550	1,800	740	65	48	15	HDH-A-4000	NS	213954	80

**Stock Status:** S = stock AS = assembly stock NS = non-stock  
**To Order**—Specify model, PCN, kW, volts, phase and quantity.

\*HDH-A Series heaters with TSP suffix includes thermostat, selector switch and pilot light.