

HDH

Hose Down Corrosion Resistant Blower Heater

- 2 - 39 kW
- 6,800 - 133,110 Btuh
- 120, 208, 277, 480 and 575 Volt
- 1 & 3 Phase
- Built-in Controls
- Wall or Ceiling Mounted Configurations

Description

This reliable, rugged, self-contained HDH heater is an ideal heat source for freeze protection or comfort heat in dusty/dirty/corrosive non-hazardous environment.

Applications

Waste Water Treatment Plants, Coal Handling Areas, Food Processing Plants, Foundries, Steel Mills, Cement Plants, Ships, Construction Sites, Car Washes, Swimming Pool Areas, Canneries, Hose Down (for cleaning). Corrosion Resistant for Harsh Environments and Dairies.

Construction

Roll Formed Case is constructed of 20 gauge corrosion resistant type 304 stainless steel.

Adjustable Discharge Grille directs air flow up or down as needed.

NEMA 4X Control Enclosure houses the heater controls, contactors and control voltage transformer.

Heating Elements — High quality, long-life, Stainless Steel Fintube® (type 316) with stainless steel threaded fittings, which form a watertight seal between the elements and junction box, offer maximum resistance to corrosion.

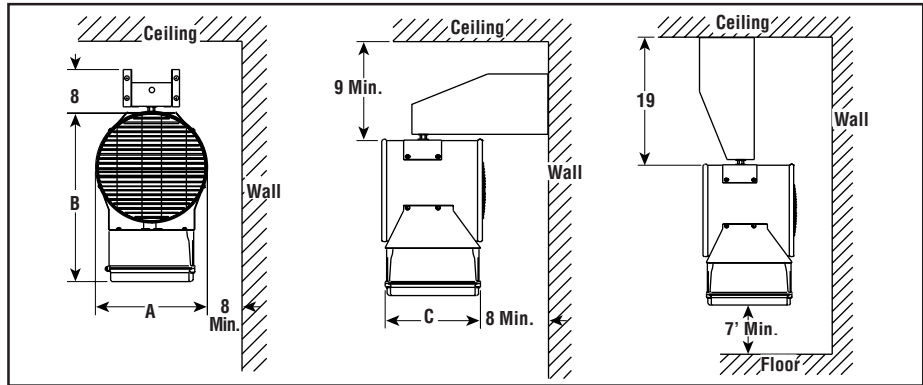
Refer to
WCRT
in the Controls section.



Shown with optional thermostat, pilot light and selector switch.



Dimensions (Inches)



Dimensions (Inches)

| kW | Volts | Phase | A | B | C |
|-------------|----------|-------|--------|--------|--------|
| 2.0 - 7.5 | All | 1, 3 | 13-5/8 | 20-3/4 | 13-1/4 |
| 10.5 - 20.0 | All | 1, 3 | 16-3/4 | 24-1/8 | 14-1/8 |
| 25.0 - 39.0 | 480, 575 | 3 | 21-1/8 | 30-1/2 | 16 |

Totally Enclosed Motor — The motor is permanently lubricated, ball bearing type and is epoxy painted for moisture and corrosion resistance.

Dynamically Balanced Fan — Aluminum fan is epoxy coated and provides optimum air flow across the heating elements.

Features

Transformer provides a 120V control circuit (24V optional). Standard on all units except 2 kW and 3 kW, 120V, 208V or 240V single phase.

Heavy Duty Contactors for heating circuit and motor are included.

Automatic Reset Thermal Cutout is provided for fast heat response and overheat protection.

Epoxy Sealed Fan Delay dissipates residual heat build-up after shutdown.

Swivel Mounting Brackets made of Stainless Steel for swivel wall and ceiling mounting.

Optional Features

- Integral Thermostat 55°F to 105°F*
 - Pilot Light Indicates Heater Operation*
 - Selector Switch (3 position) — Heater On,* Off or Fan Only Operation for Heater
 - Disconnect Switch
 - Manual Reset Cutout
 - Anodized Aluminum Case
 - Epoxy Painted Stainless Steel Case
 - 24V Control Circuit
 - MONEL® Elements
- *HDH-A Series heaters with TSP suffix includes thermostat, selector switch and pilot light.

Advantages

Because it has an adjustable discharge grille to direct air flow, and can be wall or ceiling (plus swivel) mounted, the HDH heater may be used in a variety of heating applications:

- Primary Heating
- Supplementary Heating
- Dual System Heating
- Spot Heating
- Entryway Air-Curtain Heating
- Freeze Protection

HDH

Hose Down Corrosion Resistant Blower Heater (cont'd.)

Specifications and Ordering Information

| Electrical (60 Hz) | | | | Motor | | | | Air Delivery | | | | | Ordering | | | |
|--------------------|-------|-------|------|-------|-------|------|-------|--------------|-----|-----------------|--------------------|-------------------|------------------------|----------|---------------|------------|
| kW | Volts | Phase | Amps | Volts | Phase | HP | RPM | CFM | FPM | Temp. Rise (°F) | Horiz. Throw (Ft.) | Mtg. Height (Ft.) | Model | Stock | PCN | Wt. (Lbs.) |
| 2 | 120 | 1 | 16.7 | 115 | 1 | 1/15 | 1,050 | 405 | 430 | 21 | 12 | 8 | HDH-A-200 | NS | 213428 | 45 |
| 2 | 208 | 1 | 9.6 | 208 | 1 | 1/15 | 1,050 | 405 | 430 | 21 | 12 | 8 | HDH-A-200 | NS | 213436 | 45 |
| 2 | 240 | 1 | 8.3 | 240 | 1 | 1/15 | 1,050 | 405 | 430 | 21 | 12 | 8 | HDH-A-200 | NS | 213444 | 45 |
| 2 | 277 | 1 | 7.2 | 277 | 1 | 1/15 | 1,050 | 405 | 430 | 21 | 12 | 8 | HDH-A-200 | NS | 213452 | 45 |
| 3 | 120 | 1 | 25.0 | 115 | 1 | 1/15 | 1,050 | 405 | 430 | 31 | 12 | 8 | HDH-A-300 | NS | 213460 | 45 |
| 3 | 208 | 1 | 14.4 | 208 | 1 | 1/15 | 1,050 | 405 | 430 | 31 | 12 | 8 | HDH-A-300 | NS | 213479 | 45 |
| 3 | 240 | 1 | 12.5 | 240 | 1 | 1/15 | 1,050 | 405 | 430 | 31 | 12 | 8 | HDH-A-300 | S | 213487 | 45 |
| 3 | 277 | 1 | 10.8 | 277 | 1 | 1/15 | 1,050 | 405 | 430 | 31 | 12 | 8 | HDH-A-300 | NS | 213495 | 45 |
| 5 | 208 | 1 | 24.0 | 208 | 1 | 1/15 | 1,050 | 405 | 430 | 40 | 12 | 8 | HDH-A-500 | NS | 213508 | 50 |
| 5 | 240 | 1 | 20.8 | 240 | 1 | 1/15 | 1,050 | 405 | 430 | 40 | 12 | 8 | HDH-A-500 | NS | 213516 | 50 |
| 5 | 277 | 1 | 18.1 | 277 | 1 | 1/15 | 1,050 | 405 | 430 | 40 | 12 | 8 | HDH-A-500 | NS | 213524 | 50 |
| 5 | 480 | 1 | 10.4 | 480 | 1 | 1/15 | 1,050 | 405 | 430 | 40 | 12 | 8 | HDH-A-500 | NS | 213532 | 50 |
| 5 | 208 | 3 | 13.9 | 208 | 1 | 1/15 | 1,050 | 405 | 430 | 40 | 12 | 8 | HDH-A-500 | NS | 213540 | 50 |
| 5 | 240 | 3 | 12.0 | 240 | 1 | 1/15 | 1,050 | 405 | 430 | 40 | 12 | 8 | HDH-A-500 | NS | 213559 | 50 |
| 5 | 480 | 3 | 6.0 | 480 | 1 | 1/15 | 1,050 | 405 | 430 | 40 | 12 | 8 | HDH-A-500 | S | 213567 | 50 |
| 5 | 480 | 3 | 6.0 | 480 | 1 | 1/15 | 1,050 | 405 | 430 | 40 | 12 | 8 | HDH-A-500 TSP* | S | 213962 | 51 |
| 5 | 575 | 3 | 5.0 | 575 | 1 | 1/15 | 1,050 | 405 | 430 | 40 | 12 | 8 | HDH-A-500 | NS | 213575 | 50 |
| 7.5 | 208 | 1 | 36.1 | 208 | 1 | 1/15 | 1,050 | 590 | 640 | 37 | 13 | 8 | HDH-A-750 | NS | 213583 | 50 |
| 7.5 | 240 | 1 | 31.3 | 240 | 1 | 1/15 | 1,050 | 590 | 640 | 37 | 13 | 8 | HDH-A-750 | NS | 213591 | 50 |
| 7.5 | 277 | 1 | 27.1 | 277 | 1 | 1/15 | 1,050 | 590 | 640 | 37 | 13 | 8 | HDH-A-750 | NS | 213604 | 50 |
| 7.5 | 480 | 1 | 15.6 | 480 | 1 | 1/15 | 1,050 | 590 | 640 | 37 | 13 | 8 | HDH-A-750 | NS | 213612 | 50 |
| 7.5 | 208 | 3 | 20.8 | 208 | 1 | 1/15 | 1,050 | 590 | 640 | 37 | 13 | 8 | HDH-A-750 | NS | 213620 | 50 |
| 7.5 | 240 | 3 | 18.1 | 240 | 1 | 1/15 | 1,050 | 590 | 640 | 37 | 13 | 8 | HDH-A-750 | NS | 213639 | 50 |
| 7.5 | 480 | 3 | 9.0 | 480 | 1 | 1/15 | 1,050 | 590 | 640 | 37 | 13 | 8 | HDH-A-750 | S | 213647 | 50 |
| 7.5 | 480 | 3 | 9.0 | 480 | 1 | 1/15 | 1,050 | 590 | 640 | 37 | 13 | 8 | HDH-A-750 TSP* | S | 213970 | 51 |
| 7.5 | 575 | 3 | 7.5 | 575 | 1 | 1/15 | 1,050 | 590 | 640 | 37 | 13 | 8 | HDH-A-750 | NS | 213655 | 50 |
| 10 | 240 | 1 | 41.7 | 240 | 1 | 1/15 | 1,050 | 1,180 | 800 | 28 | 40 | 9 | HDH-A-1000 | NS | 213663 | 60 |
| 10 | 277 | 1 | 36.1 | 277 | 1 | 1/15 | 1,050 | 1,180 | 800 | 28 | 40 | 9 | HDH-A-1000 | NS | 213671 | 60 |
| 10 | 480 | 1 | 20.8 | 480 | 1 | 1/15 | 1,050 | 1,180 | 800 | 28 | 40 | 9 | HDH-A-1000 | NS | 213680 | 60 |
| 10 | 208 | 3 | 27.8 | 208 | 1 | 1/15 | 1,050 | 1,180 | 800 | 28 | 40 | 9 | HDH-A-1000 | NS | 213698 | 60 |
| 10 | 240 | 3 | 24.1 | 240 | 1 | 1/15 | 1,050 | 1,180 | 800 | 28 | 40 | 9 | HDH-A-1000 | NS | 213700 | 60 |
| 10 | 480 | 3 | 12.0 | 480 | 1 | 1/15 | 1,050 | 1,180 | 800 | 28 | 40 | 9 | HDH-A-1000 | S | 213719 | 60 |
| 10 | 480 | 3 | 12.0 | 480 | 1 | 1/15 | 1,050 | 1,180 | 800 | 28 | 40 | 9 | HDH-A-1000 TSP* | S | 213989 | 61 |
| 10 | 575 | 3 | 10.1 | 575 | 1 | 1/15 | 1,050 | 1,180 | 800 | 28 | 40 | 9 | HDH-A-1000 | NS | 213727 | 60 |
| 12.5 | 277 | 1 | 45.1 | 277 | 1 | 1/15 | 1,050 | 1,180 | 800 | 36 | 40 | 9 | HDH-A-1250 | NS | 213735 | 60 |
| 12.5 | 480 | 1 | 26.0 | 480 | 1 | 1/15 | 1,050 | 1,180 | 800 | 36 | 40 | 9 | HDH-A-1250 | NS | 213743 | 60 |
| 12.5 | 208 | 3 | 34.7 | 208 | 1 | 1/15 | 1,050 | 1,180 | 800 | 36 | 40 | 9 | HDH-A-1250 | NS | 213751 | 60 |
| 12.5 | 240 | 3 | 30.1 | 240 | 1 | 1/15 | 1,050 | 1,180 | 800 | 36 | 40 | 9 | HDH-A-1250 | NS | 213760 | 60 |
| 12.5 | 480 | 3 | 15.1 | 480 | 1 | 1/15 | 1,050 | 1,180 | 800 | 36 | 40 | 9 | HDH-A-1250 | NS | 213778 | 60 |
| 12.5 | 575 | 3 | 12.6 | 575 | 1 | 1/15 | 1,050 | 1,180 | 800 | 36 | 40 | 9 | HDH-A-1250 | NS | 213786 | 60 |
| 15 | 480 | 1 | 31.3 | 480 | 1 | 1/15 | 1,050 | 1,330 | 900 | 32 | 45 | 10 | HDH-A-1500 | NS | 213794 | 60 |
| 15 | 208 | 3 | 41.7 | 208 | 1 | 1/15 | 1,050 | 1,330 | 900 | 32 | 45 | 10 | HDH-A-1500 | NS | 213807 | 60 |
| 15 | 240 | 3 | 36.1 | 240 | 1 | 1/15 | 1,050 | 1,330 | 900 | 32 | 45 | 10 | HDH-A-1500 | NS | 213815 | 60 |
| 15 | 480 | 3 | 18.1 | 480 | 1 | 1/15 | 1,050 | 1,330 | 900 | 32 | 45 | 10 | HDH-A-1500 | S | 213823 | 60 |
| 15 | 480 | 3 | 18.1 | 480 | 1 | 1/15 | 1,050 | 1,330 | 900 | 32 | 45 | 10 | HDH-A-1500 TSP* | S | 213997 | 61 |
| 15 | 575 | 3 | 15.1 | 575 | 1 | 1/15 | 1,050 | 1,330 | 900 | 32 | 45 | 10 | HDH-A-1500 | NS | 213831 | 60 |
| 19.5 | 240 | 3 | 47.0 | 240 | 1 | 1/15 | 1,050 | 1,330 | 900 | 42 | 45 | 11 | HDH-A-2000 | NS | 213840 | 60 |
| 20 | 480 | 1 | 41.7 | 480 | 1 | 1/15 | 1,050 | 1,330 | 900 | 42 | 45 | 11 | HDH-A-2000 | NS | 213858 | 60 |
| 20 | 480 | 3 | 24.1 | 480 | 1 | 1/15 | 1,050 | 1,330 | 900 | 42 | 45 | 11 | HDH-A-2000 | S | 213866 | 60 |
| 20 | 480 | 3 | 24.1 | 480 | 1 | 1/15 | 1,050 | 1,330 | 900 | 42 | 45 | 11 | HDH-A-2000 TSP* | S | 214009 | 61 |
| 20 | 575 | 3 | 20.1 | 575 | 1 | 1/15 | 1,050 | 1,330 | 900 | 42 | 45 | 11 | HDH-A-2000 | NS | 213874 | 60 |
| 25 | 480 | 3 | 30.1 | 480 | 3 | 1/3 | 1,550 | 1,800 | 740 | 42 | 48 | 12 | HDH-A-2500 | S | 213882 | 80 |
| 25 | 575 | 3 | 25.1 | 575 | 3 | 1/3 | 1,550 | 1,800 | 740 | 42 | 48 | 12 | HDH-A-2500 | NS | 213911 | 80 |
| 30 | 480 | 3 | 36.1 | 480 | 3 | 1/3 | 1,550 | 1,800 | 740 | 50 | 48 | 13 | HDH-A-3000 | S | 213890 | 80 |
| 30 | 575 | 3 | 30.2 | 575 | 3 | 1/3 | 1,550 | 1,800 | 740 | 50 | 48 | 13 | HDH-A-3000 | NS | 213920 | 80 |
| 35 | 480 | 3 | 42.1 | 480 | 3 | 1/3 | 1,550 | 1,800 | 740 | 57 | 48 | 14 | HDH-A-3500 | NS | 213938 | 80 |
| 35 | 575 | 3 | 35.2 | 575 | 3 | 1/3 | 1,550 | 1,800 | 740 | 57 | 48 | 14 | HDH-A-3500 | NS | 213946 | 80 |
| 39 | 480 | 3 | 47.0 | 480 | 3 | 1/3 | 1,550 | 1,800 | 740 | 65 | 48 | 15 | HDH-A-4000 | S | 213903 | 80 |
| 39 | 575 | 3 | 39.2 | 575 | 3 | 1/3 | 1,550 | 1,800 | 740 | 65 | 48 | 15 | HDH-A-4000 | NS | 213954 | 80 |

Stock Status: S = stock AS = assembly stock NS = non-stock
To Order—Specify model, PCN, kW, volts, phase and quantity.

*HDH-A Series heaters with TSP suffix includes thermostat, selector switch and pilot light.