

# Series 08-02 and 08-03



8.03.3

## QUICK-SHIP Snap Disc Thermostats

### FEATURES

- Available from stock
- Current ratings up to 12A @ 240 Vac
- 100,000 cycle rating
- UL Component recognized
- CSA Certified
- Vibration resistant
- Fixed temperature settings from 100 to 550°F

### APPLICATIONS

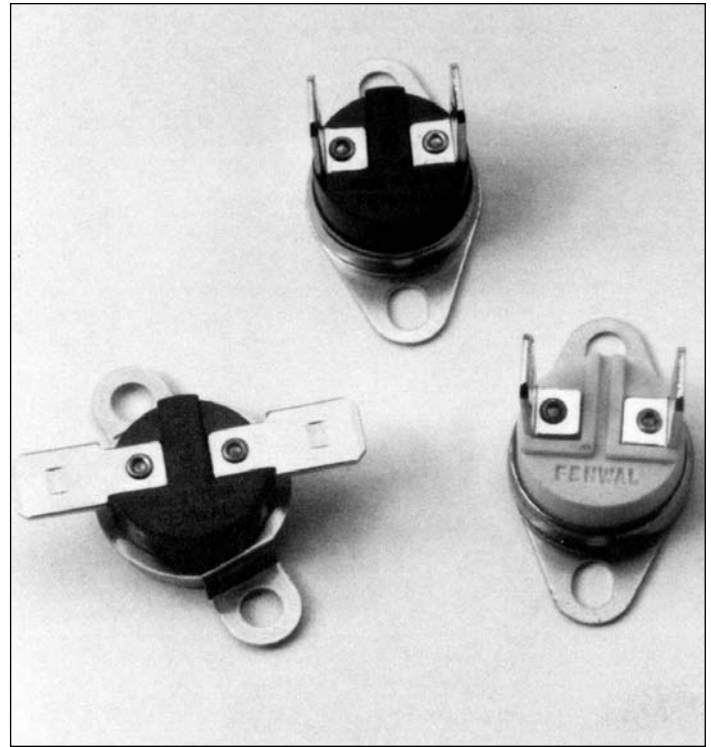
- Food Equipment
- Ovens
- Packing
- Power Supplies
- Motor Drives
- X-Ray Tubes
- Electronics

### DESCRIPTION

A snap acting bimetal disc serves as the actuating element in these rugged, precision thermostats. As the temperature reaches the setpoint, the disc snaps to provide rapid contact action minimizing radio frequency interference and ensuring high reliability.

Fenwal's snap disc thermostats are individually calibrated to meet both thermal and electrical characteristics. The single contact switch arm assembly minimizes failures due to contact contamination, while the fine silver contacts assure long life and excellent current carrying capacity. Resistance to vibration and harsh environments are additional features.

The 08-02 model is available with either a fixed or movable surface mounting bracket. The 08-03 high temperature model is available with fixed mounting bracket only. Thermostats with fixed brackets are provided with 1/4" quick connect terminals, in the opposed-vertical configuration. Thermostats with the movable brackets are provided with 1/4" quick connect terminals, in the opposed-horizontal configuration.



#### ● Electrical RATINGS (Resistive)

SERIES	120 VAC	240VAC	30VDC	CYCLES	APPROVALS
08-02	12A	12A	2A	100,000	UL, CSA
08-02	120VA	120VA	---	100,000	UL, CSA
08-03	10A	10	2A	100,000	UL
08-03	5A	5A	2A	100,000	UL, CSA
08-03	120VA	120VA	---	100,000	UL, CSA

UL and CSA units are for AC operation only.

UL: File E18974, Guide XAPX2

CSA: File LR4823.02

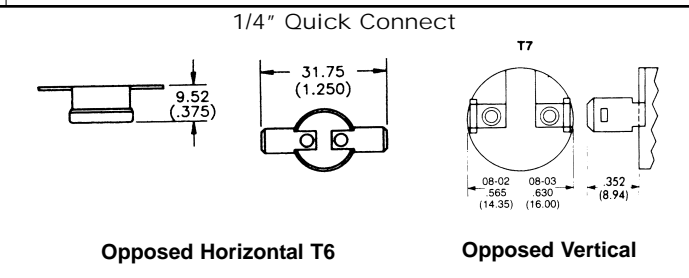
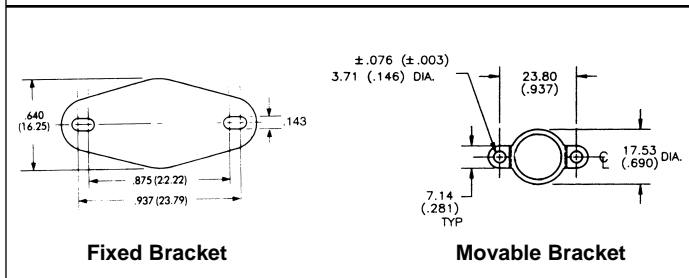
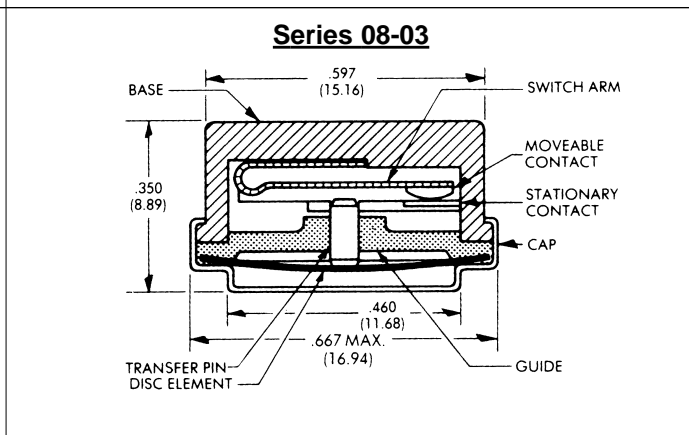
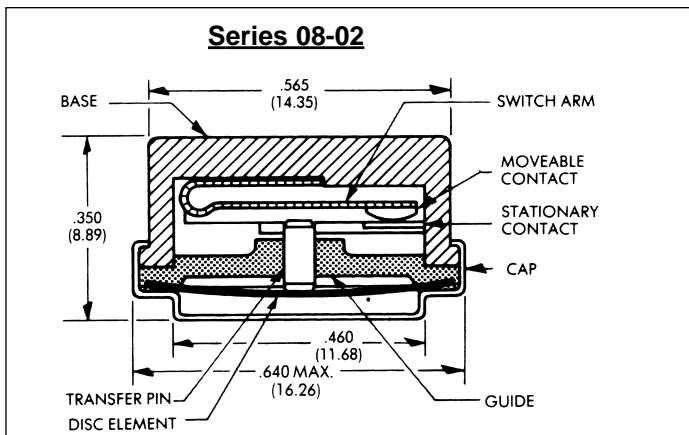
#### ● Setting Ranges and Tolerances

SERIES	RANGE	TOLERANCES		DIFFERENTIAL (NOMINAL)
		OPEN	CLOSE	
08-02	100 to 240°F	±7°F	±7°F	20°F
08-02	241 to 300°F	±7°F	±8°F	25°F
08-02	301 to 350°F	±8°F	±10°F	30°F
08-03	350 to 400°F	±10°F	±15°F	40°F
08-03	401 to 500°F	±20°F	±25°F	60°F
08-03	501 to 550°F	±25°F	±30°F	80°F

Certified by BG Technologies

- **Switch Action**  
Single pole, single throw
- **Ambient Temperature**  
08-02 -50 TO 350°F  
08-03 -50 TO 600°F
- **Dielectric Strength**  
1500VAC, terminals to case

- **Insulation Resistance**  
100 megohm minimum at 500 VDC
- **Vibration**  
Mil Std 202D, Method 204B 10G's
- **Shock**  
Mil Std 213B, Test Condition K30 G's 11ms



NORMALLY CLOSED CONTACTS - OPEN ON RISE					NORMALLY OPEN CONTACTS - CLOSE ON RISE				
Part Number	Mounting	Terminals	Open °F	Close °F	Part Number	Mounting	Terminals	Open °F	Close °F
08-020261-407	Movable	T6	100	80	08-020261-435	Movable	T7	120	140
08-020261-463	Movable	T6	140	120	08-020261-599	Movable	T6	180	200
08-020261-594	Movable	T6	180	160	08-020261-629	Movable	T6	220	240
08-020261-154	Movable	T6	220	200	08-020261-630	Movable	T6	255	280
08-020261-283	Movable	T6	260	235					
08-020261-346	Movable	T6	300	275					
08-020261-375	Movable	T6	340	310					
08-023384-407	Fixed	T7	100	80	08-023384-435	Fixed	T6	120	140
08-023384-463	Fixed	T7	140	120	08-023384-599	Fixed	T6	180	200
08-023384-594	Fixed	T7	180	160	08-023384-629	Fixed	T6	220	240
08-023384-154	Fixed	T7	220	200	08-023384-630	Fixed	T6	255	280
08-023384-283	Fixed	T7	260	235					
08-023384-346	Fixed	T7	300	275					
08-023384-375	Fixed	T7	340	310					
08-033024-009	Fixed	T7	350	310					
08-033024-019	Fixed	T7	400	360					
08-033024-109	Fixed	T7	450	390					
08-033024-106	Fixed	T7	500	440					
08-033024-032	Fixed	T7	550	425					

Represented By: Ross & Pethtel  
Phone: 225-273-2202 Website