

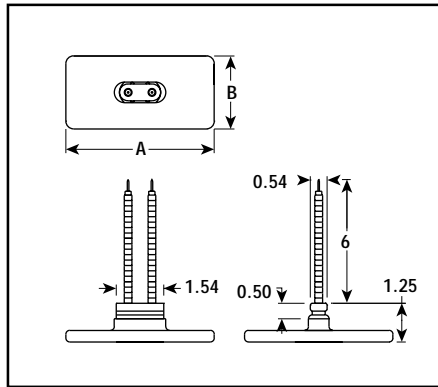
RCH-F

Flat Face Ceramic Radiant Heater

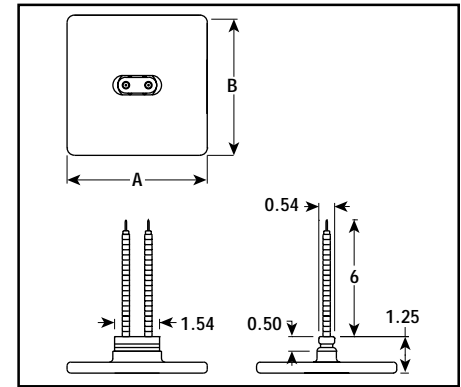
- 9 - 44 W/in²
- 200 - 1,000 Watts
- 120, 240 and 480 Volt
- Rectangular Lengths 4.8 and 9.65"
- Rectangular Widths 2.36" (type RCH-FR)
- Square Units 4.8" (type RCH-SQ)



Dimensions (Inches)



Dimensions (Inches)



Applications

- Plastics Processing
- Thermoforming
- Finish Curing
- Heat Treating
- Latex and Resin Curing
- Ink Drying
- High Temperature Furnaces

Features

Secure Electrical Connections are made by welding resistance wire to lead wire. Other designs simply twist the wires for a less reliable connection.

Higher Temperature Capability is possible with 6" long heavy duty, flexible lead wires.

Ceramic Sleeves in Element Mounting Tower offer further protection against lead wires shorting against the reflectors.

Quality Materials and Proprietary Production Processes ensure superior ceramic heater construction, integrity and operation.

Temperature Sensitive Labels visually indicate heater operation.

Specifications and Ordering Information

Watts	W/in ²	DIM (In.)		Model	120V		240V		480V		Wt. (Lbs.)
		A	B		Stock	PCN	Stock	PCN	Stock	PCN	
RCH-FR — Flat Rectangular											
200	18	4.8	2.36	RCH-05FR-200	NS	017478	NS	017494	NS	—	0.5
250	22	4.8	2.36	RCH-05FR-250	NS	017486	NS	017507	NS	017531	0.5
325	29	4.8	2.36	RCH-05FR-325	NS	—	NS	017515	NS	017540	0.5
500	44	4.8	2.36	RCH-05FR-500	NS	—	NS	017523	NS	017558	0.5
200	9	9.65	2.36	RCH-10FR-200	NS	017347	NS	—	NS	—	0.75
300	13	9.65	2.36	RCH-10FR-300	NS	017355	NS	—	NS	—	0.75
400	18	9.65	2.36	RCH-10FR-400	NS	017363	NS	017380	NS	—	0.75
500	22	9.65	2.36	RCH-10FR-500	NS	017371	NS	017398	NS	017435	0.75
650	29	9.65	2.36	RCH-10FR-650	NS	—	NS	017400	NS	017443	0.75
750	33	9.65	2.36	RCH-10FR-750	NS	—	NS	017419	NS	017451	0.75
1,000	44	9.65	2.36	RCH-10FR-1000	NS	—	NS	017427	NS	017460	0.75
RCH-SQ — Flat Square (4.8 x 4.8")											
200	9	4.8	4.8	RCH-05SQ-200	NS	017216	NS	—	NS	—	0.75
300	13	4.8	4.8	RCH-05SQ-300	NS	017224	NS	—	NS	—	0.75
400	17	4.8	4.8	RCH-05SQ-400	NS	017232	NS	017259	NS	—	0.75
500	22	4.8	4.8	RCH-05SQ-500	NS	017240	NS	017267	NS	017304	0.75
650	28	4.8	4.8	RCH-05SQ-650	NS	—	NS	017275	NS	017312	0.75
800	33	4.8	4.8	RCH-05SQ-800	NS	—	NS	017283	NS	017320	0.75
1,000	43	4.8	4.8	RCH-05SQ-1000	NS	—	NS	017291	NS	017339	0.75

Stock Status: S = stock AS = assembly stock NS = non-stock
To Order—Specify model, PCN, watts, volts and quantity.

Ceramic