

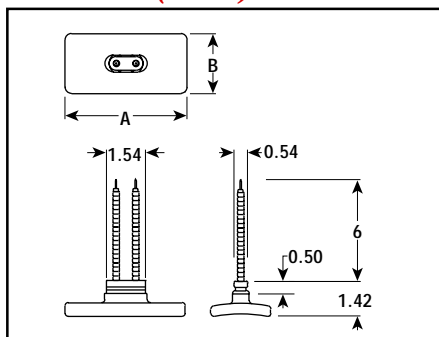
## RCH-C

### Curved Face Ceramic Radiant Heater

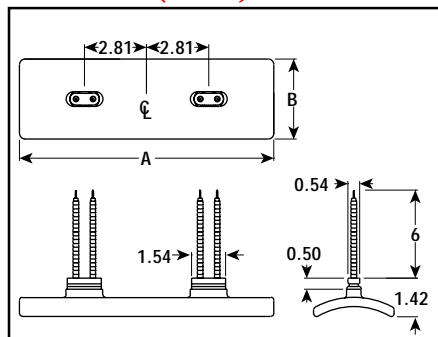


- 6 - 44 W/in<sup>2</sup>
- 200 - 1,200 Watts
- 120, 240 and 480 Volt
- 4.8, 9.65 and 11.5" Lengths
- 2.36 and 3.65" Widths

#### RCH-05, RCH-10 — Dimensions (Inches)



#### RCH-12 — Dimensions (Inches)



#### Applications

- Thermoforming
- Skin Sheeting for Packaging
- Gelling PVC Paste
- Adhesives Heating, Drying, Fixing
- Water Evaporation
- Powder Coat Curing
- Cooking and Warming Cabinets
- Preheat Embossing Rollers
- Enameling
- Preheat Molds
- Ink Drying

#### Features

**Secure Electrical Connections** are made by welding resistance wire to lead wire. Other designs simply twist the wires for a less reliable connection.

**Higher Temperature Capability** is possible with 6" long heavy duty, flexible lead wires.

**Ceramic Sleeves in Element Mounting Tower** offer further protection against lead wires shorting against the reflectors.

**Quality Materials and Proprietary Production Processes** ensure superior ceramic heater construction, integrity and operation.

**Temperature Sensitive Labels** visually indicate heater operation.

#### Specifications and Ordering Information

Watts	W/in <sup>2</sup>	DIM (In.)		Model	120V		240V		480V		Wt. (Lbs.)
		A	B		Stock	PCN	Stock	PCN	Stock	PCN	
200	18	4.8	2.36	RCH-05CR-200	—	—	S	016150	—	—	0.5
250	22	4.8	2.36	RCH-05CR-250	S	016176	S	016192	S	016213	0.5
325	29	4.8	2.36	RCH-05CR-325	—	—	S	016299	S	016310	0.5
500	44	4.8	2.36	RCH-05CR-500	S	016379	S	016395	NS	016416	0.5
200	9	9.65	2.36	RCH-10CR-200	S	016467	—	—	—	—	0.75
300	13	9.65	2.36	RCH-10CR-300	S	016555	—	—	—	—	0.75
400	18	9.65	2.36	RCH-10CR-400	—	—	S	016678	—	—	0.75
500	22	9.65	2.36	RCH-10CR-500	S	016707	S	016723	S	016740	0.75
650	29	9.65	2.36	RCH-10CR-650	—	—	S	016820	S	016846	0.75
750	33	9.65	2.36	RCH-10CR-750	S	016854	—	—	—	—	0.75
800	35	9.65	2.36	RCH-10CR-800	—	—	S	016926	S	016942	0.75
1,000	44	9.65	2.36	RCH-10CR-1000	—	—	S	016977	S	016993	0.75
250	6	11.5	3.65	RCH-12CR-250	NS	017566	—	—	—	—	1
500	12	11.5	3.65	RCH-12CR-500	NS	017374	—	—	—	—	1
650	16	11.5	3.65	RCH-12CR-650	—	—	NS	017590	NS	017638	1
800	19	11.5	3.65	RCH-12CR-800	—	—	NS	017603	NS	017646	1
1,000	24	11.5	3.65	RCH-12CR-1000	—	—	NS	017611	NS	017654	1
1,200	29	11.5	3.65	RCH-12CR-1200	NS	017620	NS	017662	NS	—	1

**Stock Status:** S = stock AS = assembly stock NS = non-stock  
**To Order—**Specify model, PCN, watts, volts and quantity.