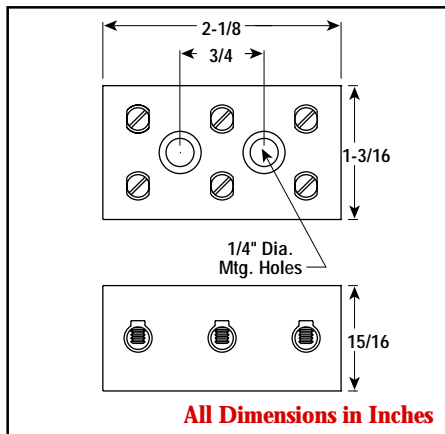


RCH Series

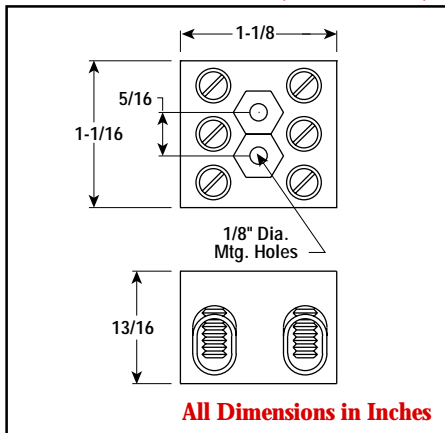
Accessories

High Temperature Porcelain Terminal Blocks 15 Amp Capacity (Up to 2 x #14 AWG Wires)

3-Pole Terminal Block (RCH-03TB)



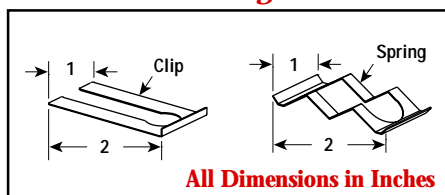
2-Pole Terminal Block (RCH-02TB)



Terminal Blocks

Model	No. Poles	Stock	PCN	Wt. (Lbs.)
RCH-02TB	2	S	017072	0.25
RCH-03TB	3	S	017080	1

2-Piece Clip Assembly for Element Mounting

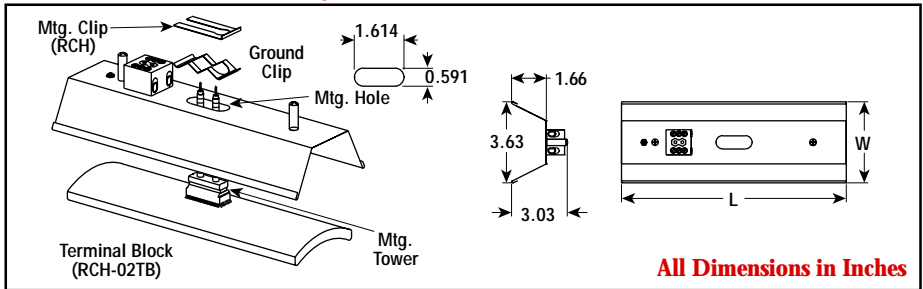


Model	Description	Stock	PCN
RCH-CLIP	Clip Ass'y	S	017099

Reflectors & Accessories — for RCH-05 and RCH-10 Heaters

Reflectors are available in many sizes. Reflectors are important for efficient operation of any radiant heater. The modular design allows heater banks to be built easily and quickly, and to be reconfigured as your production methods and needs change. The modular reflector assemblies shown are equipped with mounting lugs, terminal blocks, grounding lugs and mounting hole(s). They can be configured to hold the RCH-05CR, -10FR and -05FR models.

Modular Reflector Assembly (RCH10RF-1)



Modular Reflectors with Terminal Blocks, Grounding Lug & Mounting Bolts — for FR and CR Heaters

Model	W x L (In.)	No. Elements	Stock	PCN	Wt. (Lbs.)
Use with RCH-10CR and RCH-10FR					
RCH-10RF-1	3.63 x 10.06	1	S	017005	0.75
RCH-20RF-2	3.63 x 19.91	2	NS	017013	1.5
RCH-30RF-3	3.63 x 29.75	3	NS	017021	2
RCH-40RF-4	3.63 x 39.59	4	NS	017030	3
RCH-50RF-5	3.63 x 49.44	5	NS	017048	4
Use with RCH-05CR and RCH-05FR					
RCH-10RF-2	3.63 x 10.06	2	NS	—	0.75

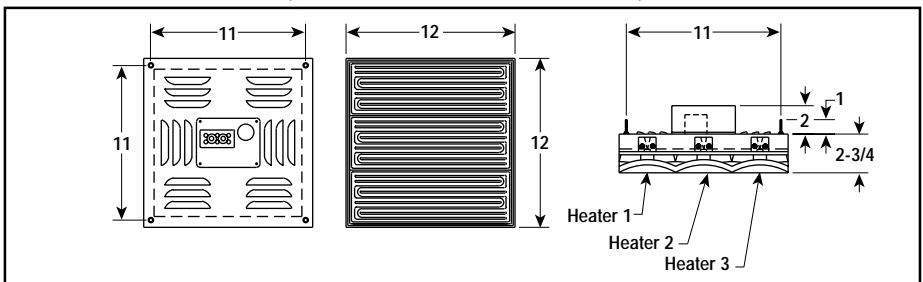
Stock Status: S = stock AS = assembly stock NS = non-stock
To Order—Specify model, PCN, number of elements and quantity.

Note — Elements sold separately. Special dimensions and combinations of 10 and 5" heaters and reflectors are available. Contact your Local Chromalox Sales office.

Reflectors — for RCH-12 Heaters

The RCH-12RF-3 is specifically designed for use with the RCH-12CR radiant heaters. This panel holds three RCH-12CR heaters. The outer 12 x 12" dimensions of the modular reflector allows for easy configuration of larger panels.

RCH-12RF-3 Reflector (Use with RCH-12CR Emitter)



Modular Reflector — for 3 RCH-12CR Heaters (can wire for 1 or 3 phase)

Model	Dimensions (In.)	No. Elements	Stock	PCN	Wt. (Lbs.)
RCH-12RF-3	12 x 12	3	NS	017064	1.5

Stock Status: S = stock AS = assembly stock NS = non-stock
To Order—Specify model, PCN and quantity.

Note — Elements sold separately.