

RADD

Double Element Radiant Heater

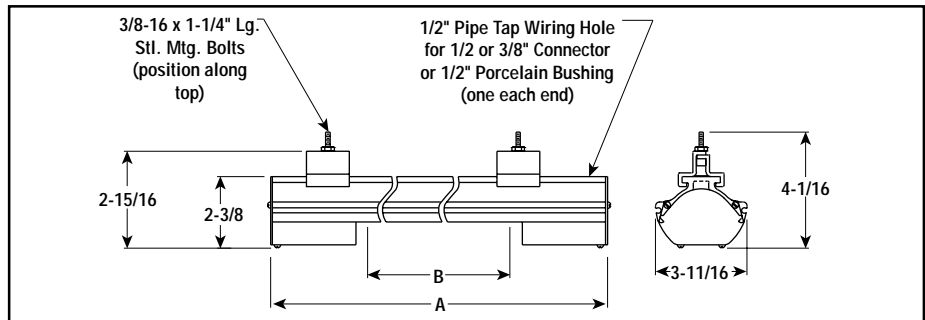


- 3.66 kW/Ft²
- 1.6 - 13 kW
- 120, 208, 240, 275 and 480 Volt
- 3/8" Dia. INCOLOY® Sheath Elements (type RTU)
- 1500°F Max. Sheath Temp.

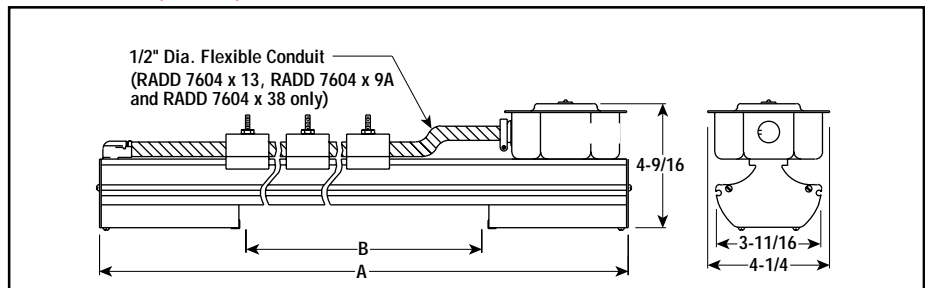
Applications

- Shrink Fitting
- Preheat Glass for Polishing, Drying, Sterilizing
- Fast-Moving Webs

Dimensions (Inches)



Dimensions (Inches)



Metal Sheath Radiant

Features

Complete, Ready-to-Connect Assembly available in various lengths to accommodate work of varying dimensions.

Movable Mounting Clamps and Bolts are supplied to accommodate many mounting configurations such as banks, tunnels and oven sections.

Process Temperature Control — Radiant heater output may be controlled with Chromalox SCR Controllers, Percentage Timing Input Controls and Non-Contact Temperature Sensors. See the Controls section of this catalog.

Additional Sizes and Ratings — Contact your Local Chromalox Sales office for price and availability.

Single Ended Wiring — Heaters may be furnished single-end wired with 18" leads as standard. Add the suffix SE to model number.

Construction

Enclosed Chromalox Alloy-Sheath Tubular Heating Element is completely isolated and supported on secondary insulation for improved electrical safety. Designed for long life, the element is more resistant to hard blows than quartz lamp or tube and open coil types.

Rigid Extruded Aluminum Housing protects heating element from harsh industrial environments.

Highly Polished Aluminum Reflectors give good reflectivity and heat transfer, and are easily cleaned to maintain energy efficiency.

Accessories

Protective Grille — Optional snap-in sections help protect personnel and work from contact with hot elements.

Companion Reflector — Optional radiant companion reflectors improve oven efficiency. See Radiant Accessories in this section.

Pipe Plug — Used to close tapped wiring entry holes. See Radiant Accessories in this section.

RADD

Double Element Radiant Heater *(cont'd.)*

Specifications and Ordering Information

kW	Volts	Length (In.)		Model	Stock	PCN	Optional Grille ²	Replacement Elements ¹	Wt. (Lbs.)
		Overall A	Heated B						
1.6	120	24-3/8	16-1/2	RADD-2164	S	110277	(1) GR-2	RTU-2083A	7
1.6	208	24-3/8	16-1/2	RADD-2164V	S	110285	(1) GR-2	RTU-2083AV	7
1.6	240	24-3/8	16-1/2	RADD-2164	S	110293	(1) GR-2	RTU-2083A	7
1.6	275	24-3/8	16-1/2	RADD-2164V	AS	110306	(1) GR-2	RTU-2083AV	7
2.2	120	30-5/8	22-3/4	RADD-3224	S	110314	(1) GR-3	RTU-3113A	9
2.2	208	30-5/8	22-3/4	RADD-3224V	S	110322	(1) GR-3	RTU-3113AV	9
2.2	240	30-5/8	22-3/4	RADD-3224	S	110330	(1) GR-3	RTU-3113A	9
2.2	275	30-5/8	22-3/4	RADD-3224V	S	110349	(1) GR-3	RTU-3113AV	9
2.6	208	35-7/8	28-5/16	RADD-3264V	NS	115140	(1) GR-3	RTU-3133AV	10
2.6	240	35-7/8	28-5/16	RADD-3264	AS	115131	(1) GR-3	RTU-3133A	10
2.6	275	35-7/8	28-5/16	RADD-3264V	NS	115158	(1) GR-3	RTU-3133AV	10
2.6	480	35-7/8	28-5/16	RADD-3264	AS	115166	(1) GR-3	RTU-3133A	10
3.6	208	46-5/8	38-1/2	RADD-4364V	S	110365	(1) GR-4	RTU-4183AV	11
3.6	240	46-5/8	38-1/2	RADD-4364	S	110357	(1) GR-4	RTU-4183A	11
3.6	275	46-5/8	38-1/2	RADD-4364V	AS	110381	(1) GR-4	RTU-4183AV	11
3.6	480	46-5/8	38-1/2	RADD-4364	S	110373	(1) GR-4	RTU-4183A	11
4.3	208	53-7/8	45-7/16	RADD-5434V	NS	115174	(1) GR-4	RTU-5213AV	13
4.3	240	53-7/8	45-7/16	RADD-5434	NS	115182	(1) GR-4	RTU-5213A	13
4.3	275	53-7/8	45-7/16	RADD-5434V	NS	115190	(1) GR-4	RTU-5213AV	13
4.3	480	53-7/8	45-7/16	RADD-5434	NS	115203	(1) GR-4	RTU-5213A	13
5	208	61-3/8	53-3/8	RADD-5504V	S	110402	(1) GR-5	RTU-5253AV	14
5	240	61-3/8	53-3/8	RADD-5504	S	110390	(1) GR-5	RTU-5253A	14
5	275	61-3/8	53-3/8	RADD-5504V	S	110429	(1) GR-5	RTU-5253AV	14
5	480	61-3/8	53-3/8	RADD-5504	S	110410	(1) GR-5	RTU-5253A	14
5.4	208	65-7/8	58-1/4	RADD-6544V	NS	115211	(1) GR-5	RTU-6273AV	17
5.4	240	65-7/8	58-1/4	RADD-6544	NS	115220	(1) GR-5	RTU-6273A	17
5.4	275	65-7/8	58-1/4	RADD-6544V	NS	115238	(1) GR-5	RTU-6273AV	17
5.4	480	65-7/8	58-1/4	RADD-6544	AS	115246	(1) GR-5	RTU-6273A	17
6	208	73-3/4	65-3/4	RADD-6604V	S	110445	(1) GR-6	RTU-6303AV	16
6	240	73-3/4	65-3/4	RADD-6604	S	110437	(1) GR-6	RTU-6303A	16
6	275	73-3/4	65-3/4	RADD-6604V	AS	110461	(1) GR-6	RTU-6303AV	16
6	480	73-3/4	65-3/4	RADD-6604	S	110453	(1) GR-6	RTU-6303A	16
6.7	208	79-7/8	72-1/4	RADD-7674V	NS	115254	(1) GR-6	RTU-7333AV	21
6.7	240	79-7/8	72-1/4	RADD-7674	NS	115262	(1) GR-6	RTU-7333A	21
6.7	275	79-7/8	72-1/4	RADD-7674V	NS	115270	(1) GR-6	RTU-7333AV	21
6.7	480	79-7/8	72-1/4	RADD-7674	NS	115289	(1) GR-6	RTU-7333A	21
7.2	208	85-3/4	78	RADD-7724V	AS	110488	(2) GR-4	RTU-7363AV	18
7.2	240	85-3/4	78	RADD-7724	S	110470	(2) GR-4	RTU-7363A	18
7.2	275	85-3/4	78	RADD-7724V	AS	110509	(2) GR-4	RTU-7363AV	18
7.2	480	85-3/4	78	RADD-7724	S	110496	(2) GR-4	RTU-7363A	18
9	208	106	97-1/2	RADD-8904V	NS	115297	(2) GR-4, (1) GR-2	RTU-8453AV	26
9	240	106	97-1/2	RADD-8904	AS	115300	(2) GR-4, (1) GR-2	RTU-8453A	26
9	275	106	97-1/2	RADD-8904V	NS	115318	(2) GR-4, (1) GR-2	RTU-8453AV	26
9	480	106	97-1/2	RADD-8904	AS	115326	(2) GR-4, (1) GR-2	RTU-8453A	26
8	240/480 ²	114-1/8	106	RADD-7604X10	AS	110517	(2) GR-5	RTU-7303AX10	34
10	240/480 ²	141	132	RADD-7604X13	NS	110550	(2) GR-6	RTU-7303AX13	40
11	240/480 ²	160-5/8	150	RADD-7604X9A	AS	110592	(1) GR-4, (2) GR-5	RTU-7303AX9A	45
13	240/480 ²	185-5/8	174	RADD-7724X38	AS	110630	(1) GR-4, (2) GR-6	RTU-7363AX38	52

Stock Status: S = stock AS = assembly stock NS = non-stock
To Order—Specify model, PCN, kW, volts, quantity and interlocking connectors (if required).

1. Refer to Tubular Heaters section.
2. Shipped as 480V. Convert to 240V by changing jumpers. (See instructions included with heater.)
3. See Accessories in this section for ordering information.