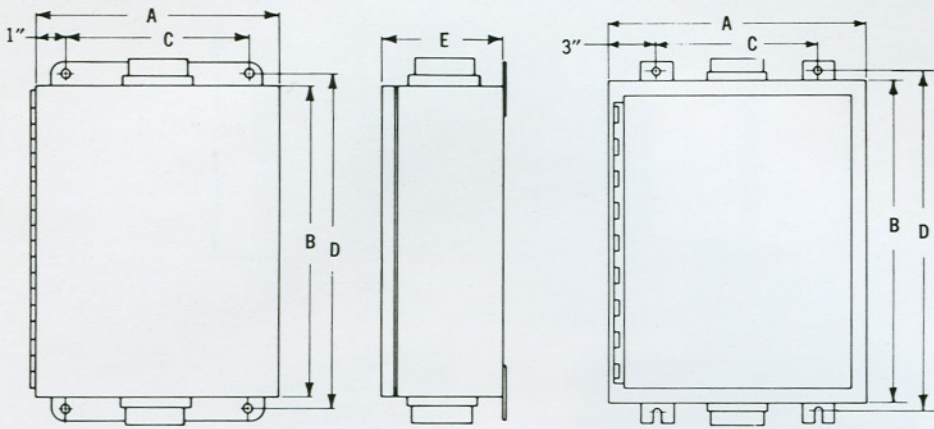


## THERMOCOUPLE TERMINAL BOXES



Weatherproof Sheet Steel Multi-circuit box protects thermocouple and instrument cables from corrosive or dirty environments.

Rigid Weatherproof Junction box which meets JIC Specifications in dash 1, 2, 3, & 4 models and NEMA 12 Specifications in the dash 5, 6, 7 and 8 models. Heavy, 14 to 16 gage sheet steel, welded seams, and neoprene gasketed covers provide a strong rigid weatherproof box.

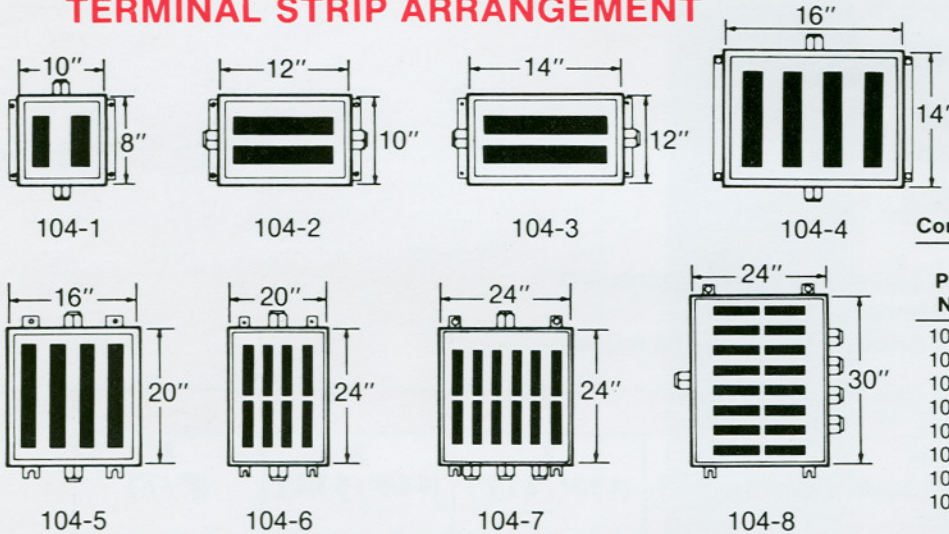
Boxes have removable platform type terminal strip panels, lugs for wall mounting, and quick and easy screw clamps.

Boxes are finished in a baked gray hammertone enamel.

Entrance hubs are affixed to the box wall to provide effective resistance to moisture.

These boxes are also available in cast aluminum or cast iron constructions on special order.

## TERMINAL STRIP ARRANGEMENT



### Connection Information

Part No.	Number of Contacts	Max T/C Circuits	Cable Pairs Accepted	Cable Wire Size (AWG)
104-1	12	6	4 or 6	16, 20
104-2	28	14	8 or 12	16, 20
104-3	36	18	16	20
104-4	52	26	20 or 24	20
104-5	80	40	39	20
104-6	112	56	56	20
104-7	156	78	—	—
104-8	208	104	—	—

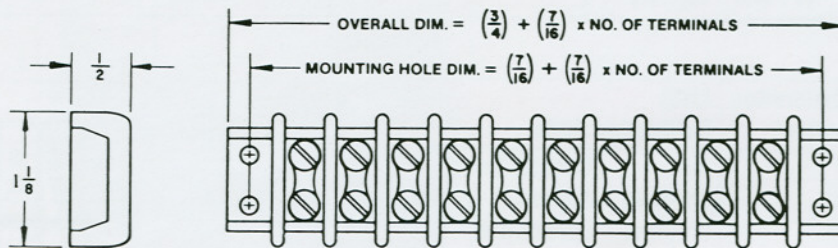
All boxes 6" deep except 104-1 is 4" and 104-2 is 5". External dimensions shown.

## Terminal Strips

Terminal strips used in these boxes are manufactured of phenolic material and will withstand temperatures from  $-40^{\circ}\text{F}$  to  $250^{\circ}\text{F}$ . All terminals are nickel-plated brass. Strips are screwed directly to the box floor on cast iron models, while sheet steel boxes have the strips screwed to removable panels. All terminals are numerically identified.

### ORDERING INFORMATION

Specify #1044 BR\_\_\_\_. Insert the number of terminals desired in the blank. For terminals of Thermocouple material specify calibration in place of BR.

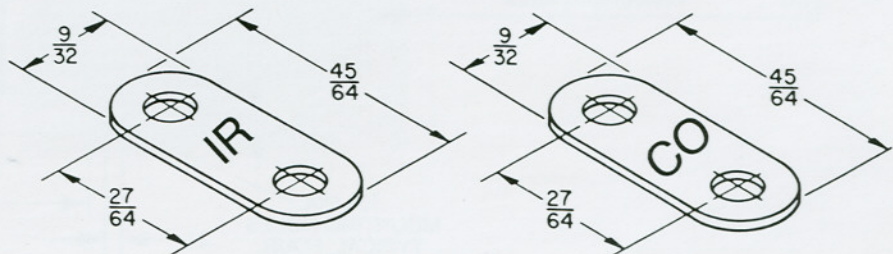


## TERMINAL LUGS

### ORDERING INFORMATION

Specify # 1044TL  
Insert Thermocouple calibration desired.

Each lug has stamped-in designation of thermocouple material IR - Iron  
CO - Constantan (Exception "CU" uncompensated is not designated)



D8