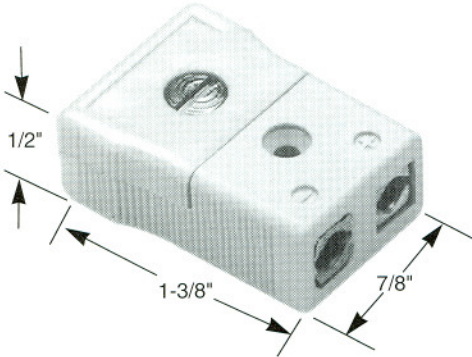


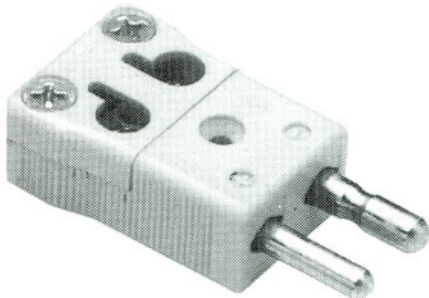
Thermocouple Connector 2 Pole

- Glass filled thermoplastic body provides high strength at temperatures up to 425°F (218°C) as well as low moisture absorption and good dielectric constant.
- Heavy duty hollow pin construction prevents reverse mating of polarity.*
- Body color coded to ISA and ANSI standards.
- Polarity indicated by symbols molded into body.
- Contacts made of thermocouple materials which meet ISA and ANSI standards.
- Jack spring loaded to insure firm grip to plug.
- Accepts wire sizes to 14 awg.
- Single screw cover cap for fast assembly.
- Accepts crimp and tube adapter for product from .020 to .375.
- Finger grips to permit ease of connection.
- Quick wiring hook up with large head screws and wire channel.



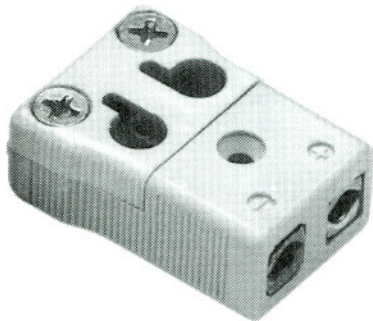
Catalog Number Plugs	Catalog Number Jacks	Thermocouple Type	Body Color	Actual Alloy +In Connector-	
LP-J	LJ-J	Iron-Constantan	Black	Iron	Constantan
LP-K	LJ-K	Chromel-Alumel	Yellow	Chromel	Alumel
LP-E	LJ-E	Chromel-Constantan	Violet	Chromel	Constantan
LP-T	LJ-T	Copper-Constantan	Blue	Copper	Constantan
LP-R/S	LJ-R/S	Platinum/Rhodium- Platinum	Green	Copper	#11 Alloy
LP-CU	LJ-CU	Uncompensated	White	Copper	Copper

*Solid pin available on above construction. Add S to Part No. (i.e. LPS-J)



Jab In Style Thermocouple Connector 2 Pole

- Glass filled thermoplastic body provides high strength at temperatures up to 425°F (218°C) as well as low moisture absorption and good dielectric constant.
- Heavy duty hollow pin construction prevents reverse mating of polarity.**
- Body color coded to ISA and ANSI standards.
- Polarity indicated by symbols molded into body.
- Contacts made of thermocouple materials which meet ISA and ANSI standards.
- Jack spring loaded to insure firm grip to plug.
- Accepts wire sizes 20 awg to 14 awg. 8 awg available.*
- Finger grips to permit ease of connection.
- Quick wiring hook up with large head screws and wire channel.



Catalog Number Plugs	Catalog Number Jacks	Thermocouple Type	Body Color	Actual Alloy +In Connector-	
JILP-J	JILJ-J	Iron-Constantan	Black	Iron	Constantan
JILP-K	JILJ-K	Chromel-Alumel	Yellow	Chromel	Alumel
JILP-E	JILJ-E	Chromel-Constantan	Violet	Chromel	Constantan
JILP-T	JILJ-T	Copper-Constantan	Blue	Copper	Constantan
JILP-R/S	JILJ-R/S	Platinum/Rhodium- Platinum	Green	Copper	#11 Alloy
JILP-CU	JILJ-CU	Uncompensated	White	Copper	Copper

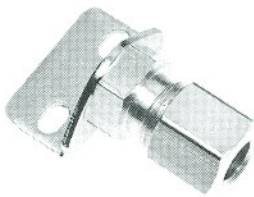
*Add suffix 8 to catalog number.

**Solid pin available on above construction. Add S to Part No. (i.e. JILPS-J)

Tube Adapter

For installing single metal sheath thermocouple to connector. Mounts to underside of connector for ease of wiring connections. 2 screws provided for easy attachment to thermocouples.

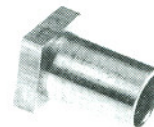
Ordering Code	Fits Sheath O.D.
TA062	1/16"
TA125	1/8"
TA188	3/16"
TA250	1/4"
TA313	5/16"
TA375	3/8"



Brass Insert

Used to crimp or braze sheath type thermocouple for installation into connector cavity. Fits sheath sizes up to 1/4". Attaches directly to sheath by crimping or brazing.

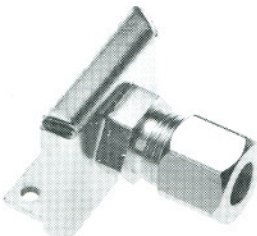
Ordering Code	Fits sheath O.D.
BC062	1/16"
BC125	1/8"
BC188	3/16"
BC250	1/4"



Dual Compression Tube Adapter

For installing dual metal sheath thermocouple to connectors. Permits use of parallel or diagonal sheath wiring. Accepts 2 standard or high temperature connectors.

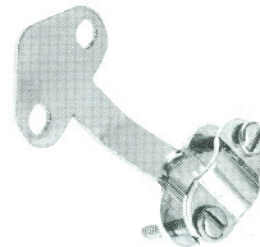
Ordering Code	Fits Sheath O.D.
DTA062	1/16"
DTA125	1/8"
DTA188	3/16"
DTA250	1/4"



Wire Clamp Bracket

Rugged bracket for strain relieving insulated wires. Easily installed after wires are attached to connector.

Ordering Code
WC



Weather Proof Jackets

Neoprene rubber jackets add moisture protection to connection. Two per assembly.

Ordering Code
WPJ

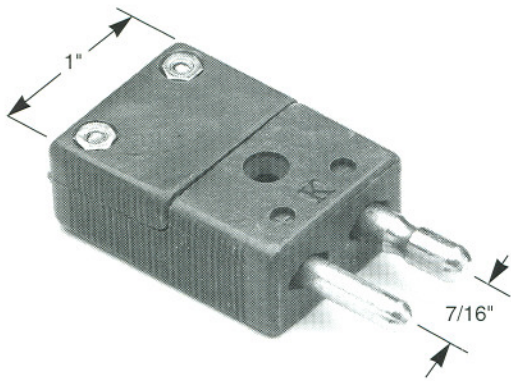


Rubber Bushing

Installed into insert indentation of connector. Provides strain relief for thermocouple wire.

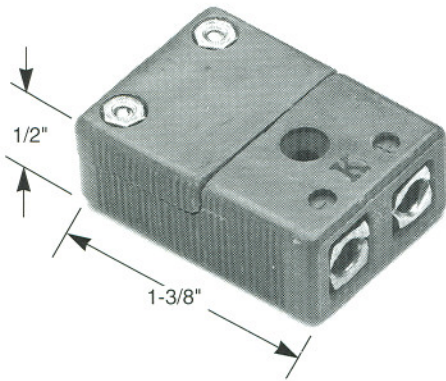
Ordering Code
RB





High Temperature Thermocouple Connector 2 Pole

- Glass filled thermoset body provides for use at temperatures to 800°F (425°C) continuous and 1000°F (540°C) intermittent.
- Heavy duty hollow pin construction prevents reverse mating of polarity.*
- Body color red to designate High Temperature.
- Calibration and polarity indicated by symbols molded into body.
- Contacts made of thermocouple materials which meet ISA and ANSI standards.
- Jack spring loaded to insure firm grip to plug.
- Accepts wire sizes to 14 awg.
- Provided with wire channel and large head screws for positive connection.
- Accepts crimp sizes to 1/4" and tube adapters to 3/8".
- Finger grips permit ease of connection.



Catalog Number Plugs	Catalog Number Jacks	Thermocouple Type	Body Color	Actual Alloy +In Connector-	
HLP-J	HLJ-J	Iron-Constantan	Red	Iron	Constantan
HLP-K	HLJ-K	Chromel-Alumel	Red	Chromel	Alumel
HLP-E	HLJ-E	Chromel-Constantan	Red	Chromel	Constantan
HLP-T	HLJ-T	Copper-Constantan	Red	Copper	Constantan
HLP-R/S	HLJ-R/S	Platinum/Rhodium-Platinum	Red	Copper	#11 Alloy
HLP-CU	HLJ-CU	Uncompensated	Red	Copper	Copper

*Solid pin available on above construction. Add S to Part No. (i.e. HLP-S-J)

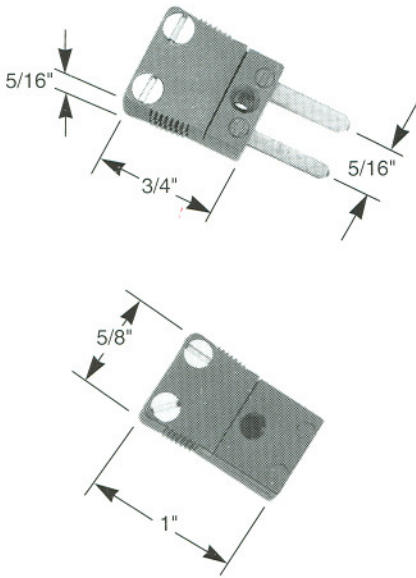
High Temperature Jab In Style Thermocouple Connector 2 Pole

- Glass filled thermoset body provides for use at temperatures to 800°F (425°C) continuous and 1000°F (540°C) intermittent.
- Heavy duty hollow pin construction prevents reverse mating of polarity.**
- Contacts made of thermocouple materials which meet ISA and ANSI standards.
- High temperature body color coded red.
- Calibration and polarity indicated by symbols molded into body.
- Accommodates sizes from 20 awg to 14 awg.
- Quick wiring hook up with large head screws and wire channel.
- Spring loaded jack to insure firm grip to plug.
- Convenient finger grip design for ease of connection.
- May be used with wire clamp bracket or compression tube adapter.

Catalog Number Plugs	Catalog Number Jacks	Thermocouple Type	Body Color	Actual Alloy +In Connector-	
HJILP-J	HJILJ-J	Iron-Constantan	Red	Iron	Constantan
HJILP-K	HJILJ-K	Chromel-Alumel	Red	Chromel	Alumel
HJILP-E	HJILJ-E	Chromel-Constantan	Red	Chromel	Constantan
HJILP-T	HJILJ-T	Copper-Constantan	Red	Copper	Constantan
HJILP-R/S	HJILJ-R/S	Platinum/Rhodium-Platinum	Red	Copper	#11 Alloy
HJILP-CU	HJILJ-CU	Uncompensated	Red	Copper	Copper

**Solid pin available on above construction. Add S to Part No. (i.e. HJIPS-J)

Miniature Thermocouple Connector



- Thermoplastic body provides high strength at temperatures up to 425°F (218°C) as well as low moisture absorption and good dielectric constant.
- Small, light weight and space saving.
- Body color coded to ISA and ANSI standards.
- Polarity indicated by symbols molded into body.
- Contacts made of thermocouple materials which meet ISA and ANSI standards.
- Jack spring loaded to insure firm grip to plug.
- Accepts crimp adapter for product from .020 to .125.
- Finger grips to permit ease of connection.
- .10" I.D. center mounting hole.

Catalog Number	Thermocouple Type	Body Color	Actual Alloy		
Plugs	Jacks		+In Connector-		
MP-J	MJ-J	Iron-Constantan	Black	Iron	Constantan
MP-K	MJ-K	Chromel-Alumel	Yellow	Chromel	Alumel
MP-E	MJ-E	Chromel-Constantan	Violet	Chromel	Constantan
MP-T	MJ-T	Copper-Constantan	Blue	Copper	Constantan
MP-R/S	MJ-R/S	Platinum/Rhodium-Platinum	Green	Copper	#11 Alloy
MP-CU	MJ-CU	Uncompensated	White	Copper	Copper

Miniature Brass Crimp

- Used to crimp or braze sheath type thermocouples.
- Hex allows for best orientation of wires when inserted in the connector body.



Ordering Code	Fits Sheath O.D.
MC000	Undrilled
MC020	.020"
MC040	.040"
MC062	1/16"
MC125	1/8" (Braze On Only)

Miniature Rubber Bushing

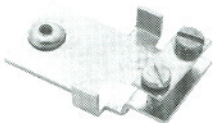
- Installed into insert indentation of mini connectors.
- Provides strain relief for insulated wire.



Ordering Code
MRB

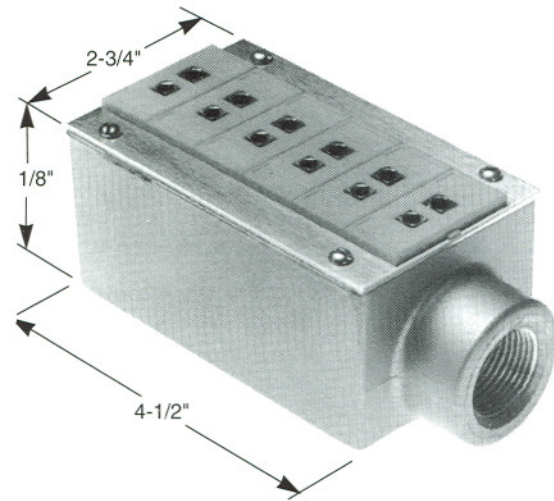
Miniature Wire Clamp

- Provides support for insulated leads to eliminate mechanical damage to leads at the connector.
- Easily installed with single screw through center mounting hole, allowing access to terminals.



Ordering Code
MWC

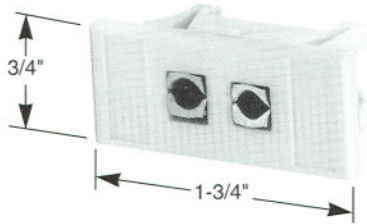
Jack Panel FS Box



- 1 to 6 circuits.
- Standard size aluminum panel (4 1/2" high by 2 3/4" wide).
- Panel jacks color coded for calibration identification per ISA and ANSI.
- Maximum temperature rating 400°F (204°C).
- Mating plugs standard 2 pole.
- Panel jacks constructed with heavy duty spring loaded inserts to insure positive plug engagement.
 - Multi calibration available in same panel.
 - Accommodate wire sizes to 14 awg.
- Conduit Boxes.
 - Cast aluminum box especially selected to fit the 1 to 6 circuit aluminum panel.
 - 3/4" NPT connection accommodates use of a cable clamp or mounting conduit.

Ordering Code	ANSI Calibration Code	
FS-*-J	Iron	Constantan
FS-*-K	Chromel	Alumel
FS-*-E	Chromel	Constantan

Ordering Code	ANSI Calibration Code	
FS-*-T	Copper	Constantan
FS-*-R/S	Platinum/Rhodium-Platinum	
FS-*-CU	Uncompensated	

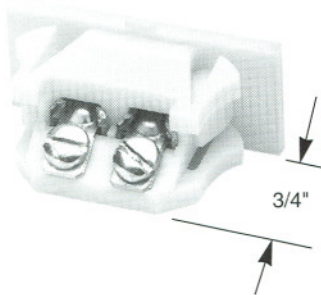


2 Pole Snap-in Panel Jack

- Snap in panel jacks.
- Bezel face color coded nylon inserts.
- Designed for ease of installation and removal.
- Flexible retaining tabs secure panel.
- Temperature to 400°F (204°C).
- Accepts wire up to 14 awg.
- Heavy duty spring loaded inserts to insure positive plug connection.
- Accepts any standard size male thermocouple connector.
- Requires 0.635 x 1.195 cut-out.

Ordering Code	ANSI Calibration Code	
PJ-J	Iron	Constantan
PJ-K	Chromel	Alumel
PJ-E	Chromel	Constantan

Ordering Code	ANSI Calibration Code	
PJ-T	Copper	Constantan
PJ-R/S	Platinum/Rhodium-Platinum	
PJ-CU	Uncompensated	

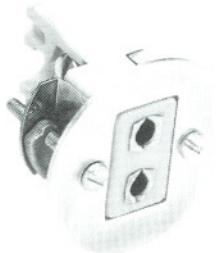


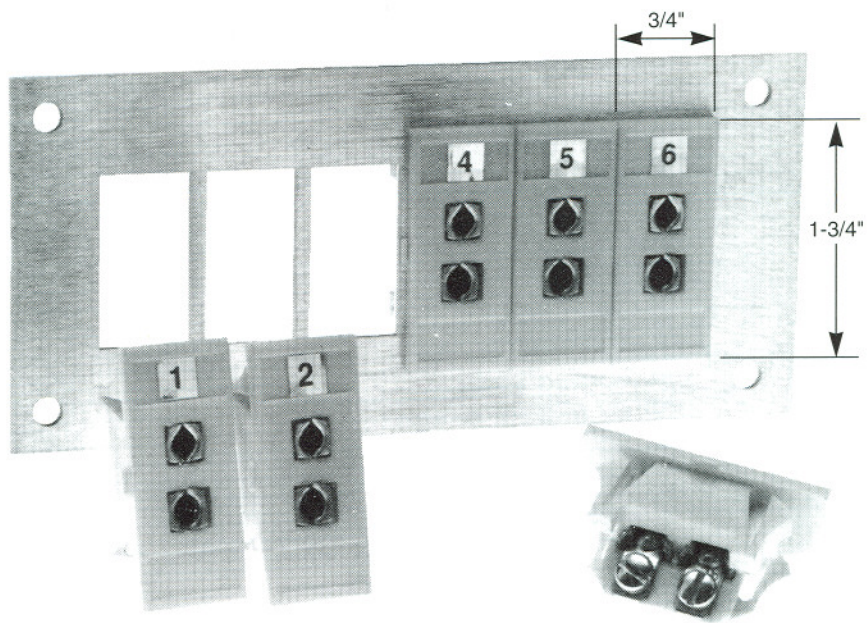
2 Pole Single Circuit Jack Panel

- Designed for installation into panels up to 7/16" thick.
- Wiring and installation from front of panel.
- Fits into 3/4" knockout.
- Insert color coded per ISA and ANSI designations.
- Temperatures to 425°F (218°C).
- Hardware available separately - without jack.

Ordering Code	ANSI Calibration Code	
SCJP-J	Iron	Constantan
SCJP-K	Chromel	Alumel
SCJP-E	Chromel	Constantan
SCJP-T	Copper	Constantan

Ordering Code	ANSI Calibration Code	
SCJP-R/S	Platinum/Rhodium-Platinum	
SCJP-CU	Uncompensated	
SCJP	Panel Only	



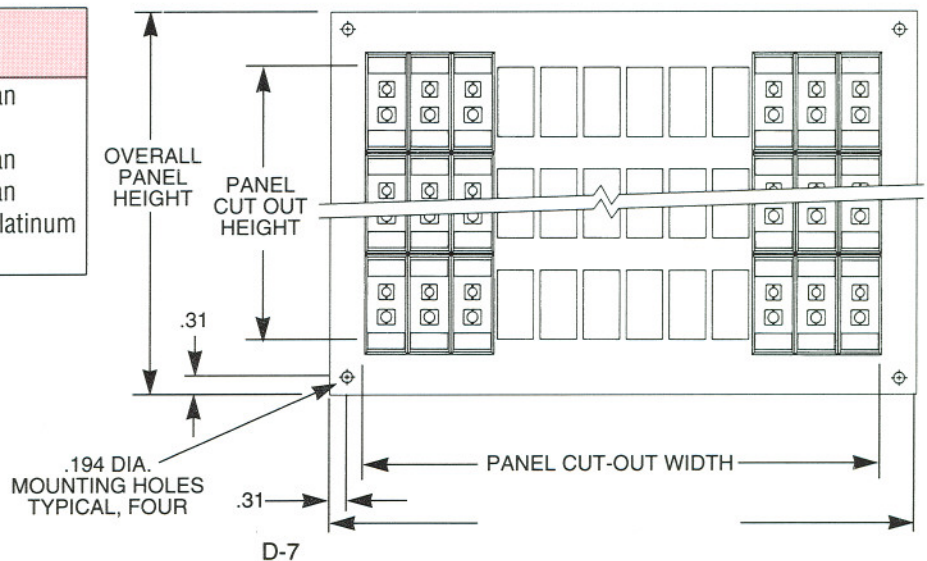


2 Pole Multicircuit Jack Panel

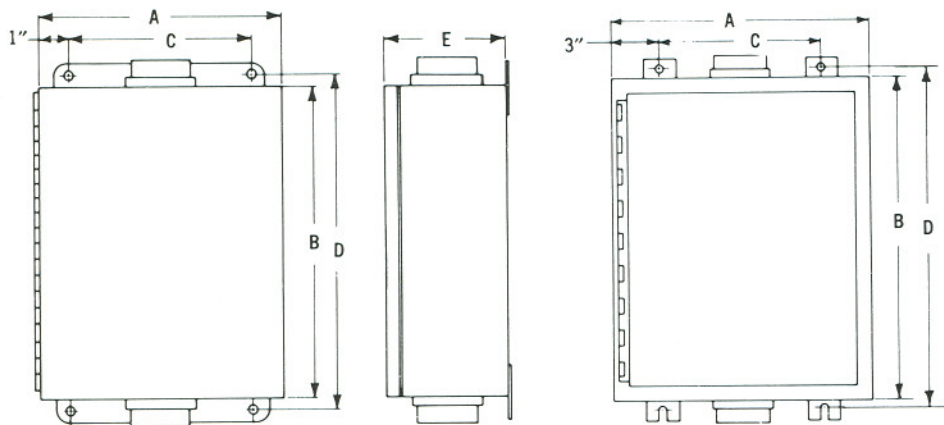
- Standard or custom designed panel sizes.
- Snap in panel jacks.
- Bezel face color coded nylon inserts.
- Designed for ease of installation and removal.
- Flexible retaining tabs secure panel.
- Temperature to 400°F (204°C).
- Accepts wire up to 14 awg.
- Heavy duty spring loaded inserts to insure positive plug connection.
- Accepts any standard size male thermocouple connector.
- Front numbering standard; Custom lettering available upon request.

Ordering Code	*Insert Calibration (See Table Below)				
Circuits per row (overall panel width/ cut out width)	Rows per panel (overall panel height/ cut out height)	1 (2 5/8" / 1 3/4")	2 (4 3/8" / 3 1/2")	3 (6 5/8" / 5 1/4")	4 (8" / 7")
6 (5 3/4" / 4 5/8")	Ordering Code	JP-*-6-1	JP-*-12-2	JP-*-18-3	JP-*-24-4
	Insert Calibration Letter* (See table below)	JP-*-12-1	JP-*-24-2	JP-*-36-3	JP-*-48-4
12 (10 1/4" / 9 1/8")	Ordering Code	JP-*-18-1	JP-*-36-2	JP-*-54-3	JP-*-72-4
	Insert Calibration Letter* (See table below)	JP-*-24-1	JP-*-48-2	JP-*-72-3	JP-*-108-4
18 (14 3/4" / 13 5/8")	Ordering Code	JP-*-36-1	JP-*-72-2	JP-*-108-3	JP-*-144-4
	Insert Calibration Letter* (See table below)	JP-*-48-1	JP-*-96-2	JP-*-144-3	JP-*-192-4

Calibration Letter*	ANSI Calibration Code	
J	Iron	Constantan
K	Chromel	Alumel
E	Chromel	Constantan
T	Copper	Constantan
R/S	Platinum/Rhodium-Platinum	
CU	Uncompensated	



THERMOCOUPLE TERMINAL BOXES



Weatherproof Sheet Steel Multi-circuit box protects thermocouple and instrument cables from corrosive or dirty environments.

Rigid Weatherproof Junction box which meets JIC Specifications in dash 1, 2, 3, & 4 models and NEMA 12 Specifications in the dash 5, 6, 7 and 8 models. Heavy, 14 to 16 gage sheet steel, welded seams, and neoprene gasketed covers provide a strong rigid weatherproof box.

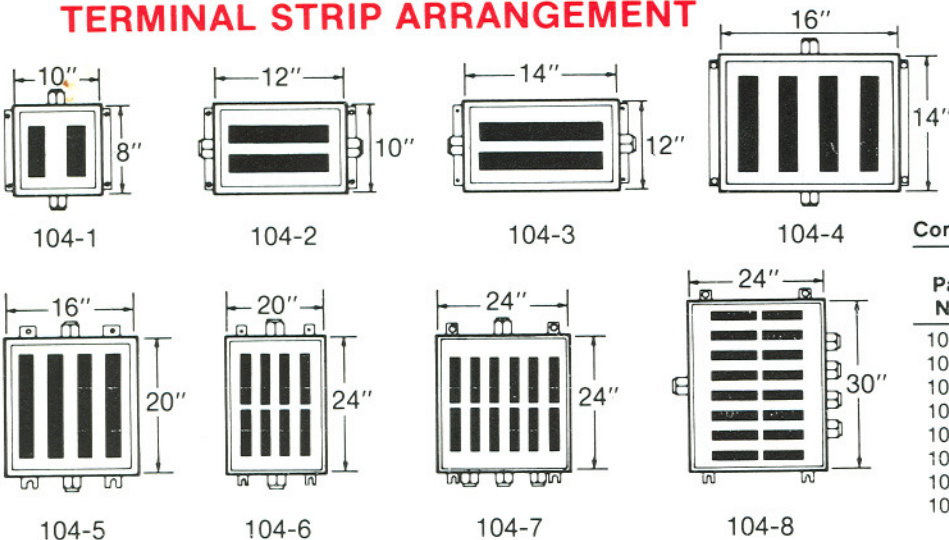
Boxes have removable platform type terminal strip panels, lugs for wall mounting, and quick and easy screw clamps.

Boxes are finished in a baked gray hammertone enamel.

Entrance hubs are affixed to the box wall to provide effective resistance to moisture.

These boxes are also available in cast aluminum or cast iron constructions on special order.

TERMINAL STRIP ARRANGEMENT



Connection Information

Part No.	Number of Contacts	Max T/C Circuits	Cable Pairs Accepted	Cable Wire Size (AWG)
104-1	12	6	4 or 6	16, 20
104-2	28	14	8 or 12	16, 20
104-3	36	18	16	20
104-4	52	26	20 or 24	20
104-5	80	40	39	20
104-6	112	56	56	20
104-7	156	78	—	—
104-8	208	104	—	—

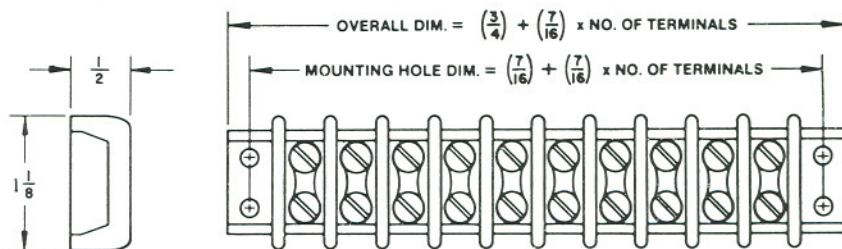
All boxes 6" deep except 104-1 is 4" and 104-2 is 5". External dimensions shown.

Terminal Strips

Terminal strips used in these boxes are manufactured of phenolic material and will withstand temperatures from -40°F to 250°F . All terminals are nickel-plated brass. Strips are screwed directly to the box floor on cast iron models, while sheet steel boxes have the strips screwed to removable panels. All terminals are numerically identified.

ORDERING INFORMATION

Specify #1044 BR____. Insert the number of terminals desired in the blank. For terminals of Thermocouple material specify calibration in place of BR.



TERMINAL LUGS

ORDERING INFORMATION

Specify # 1044TL
Insert Thermocouple calibration desired.

Each lug has stamped-in designation of thermocouple material IR - Iron
CO - Constantan (Exception "CU" uncompensated is not designated)

