



NEMA 4X TRF115-007 LOW TEMPERATURE THERMOSTAT



HIGHLIGHTS

- One Control for Heating or Cooling
- Rugged, Weather Resistant Enclosure
- Corrosion Resistant Materials for Long Life
- NEMA 4X Enclosure Complies with N.E.C. Article 547
- Large, Easy-to-Read Dial
- UL Listed

DEMAND MORE FROM YOUR THERMOSTAT

The Best Value in Refrigeration Controls

Demand more for less: the TRF115-007 is the market's value leader, especially when you consider that other models that have less robust design.

Rugged Enough for Any Application

Don't take a chance on anything less than the full NEMA 4X protection offered by the PECO TRF115-007. Other products in the market are only NEMA 1.

Put Our Experience to Work for You

Since 1938, PECO has been known for highly engineered products that set the standard for quality, performance, and reliability. Now you can buy from the best for less.

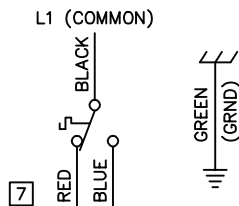
NEMA 4X TRF115-007 LOW TEMPERATURE THERMOSTAT

TECHNICAL SPECIFICATIONS

Set Point Temperature Range	-30 to 100°F / -34 to 38°C
Differential Temperature Range	Fixed ~5°F / ~3°C
Sensor	8' (2.44m) copper bulb/capillary
Remote Temperature Sensing	Yes
Display	None
Enclosure	NEMA 4X
Control	Dial Knob



WIRING DIAGRAM

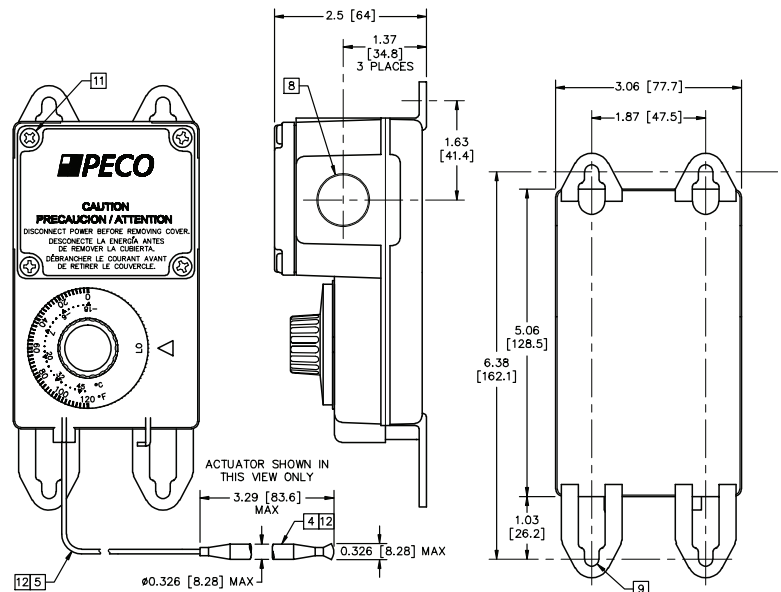


HEATING OR COOLING EQUIPMENT, SPDT, OPENS ONE CIRCUIT (RED/BLACK, REF. HEATING), CLOSES ONE CIRCUIT (BLUE/BLACK, REF. COOLING) ON TEMPERATURE RISE.

RATINGS

Voltage Rating	Amps	Pilot Duty
120 VAC	25A	125VA
208 VAC	25A	125VA
240 VAC	25A	125VA
277 VAC	22A	125VA

MOUNTING INSTRUCTIONS



MODEL SELECTION GUIDE

Model	Part Number	Description
TRF115-007	69320	Low Temperature Thermostat



Represented By: **Ross & Pethtel**
 Phone: 225-273-2202 www.rosspethtel.com