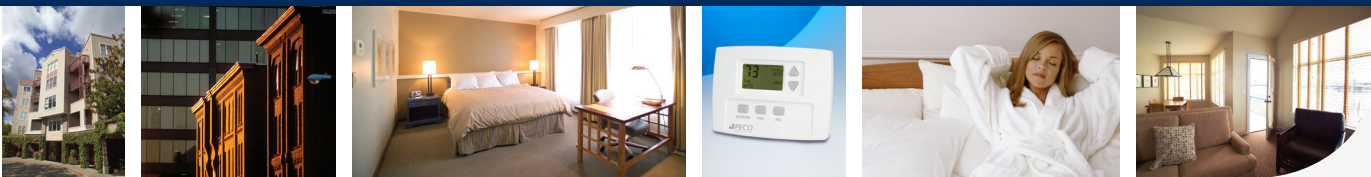




TC170 STAGING THERMOSTAT

SMART ENERGY MANAGEMENT



HIGHLIGHTS

- 6 Relay Controls for up to:
3 Heat, 2 Cool, 2 Fan, or 1 Outside Air Damper
- 24 VAC
- LCD Display with Backlight
- Fahrenheit or Celsius Display
- Auto-Staged Fan
- Setback Capability
- Off Override Capability
- ADA Compliant Keypad and Display
- Occupancy HVAC Control Input
- HVAC Disconnect Input
- Key Pad Lockout

A New Standard of Flexibility and Versatility

Unlike many controls that require separate models for various configurations, the TC170 can be easily configured to meet most staging applications. Supplying staged fan, cycled fan, continuous fan, off override capability, and staged heating and cooling, the TC170 is one of the most versatile thermostats on the market. It also contains design features that meet ADA requirements, making the TC170 a perfect choice for hotels, retirement/care facilities, public spaces and office environments.

Energy Savings without Expensive BAS

With an occupancy-based design, setback capabilities, and intelligent energy management logic, the TC170 can deliver energy savings without an expensive building automation system. Other energy saving features of the TC170 include range limit adjustment, staged fan, occupancy and setback control.

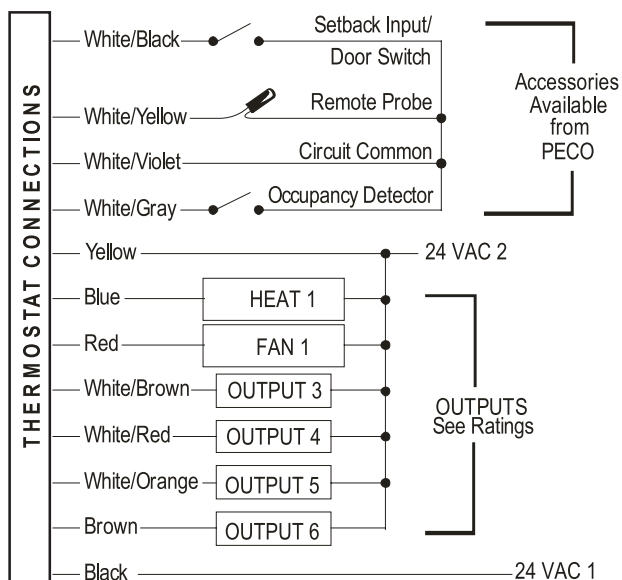
TC170 STAGING THERMOSTAT

TECHNICAL SPECIFICATIONS

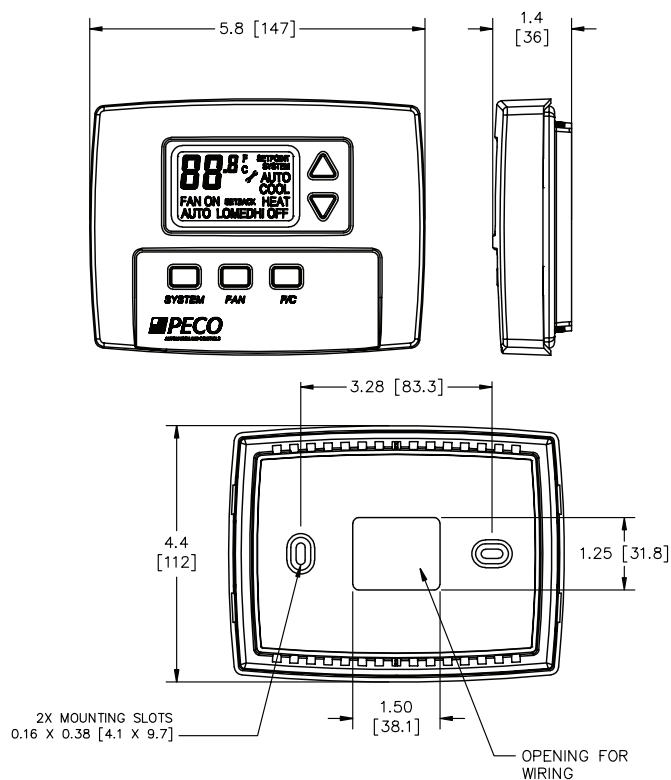
Temperature Range	50 to 90°F / 10 to 32°C factory default, adjustable inward
Maximum Ambient	130°F / 54°C
Load Connections	Wire leads
Mounting	Installs on a standard 4" x 4" device box with a 2" x 4" horizontal mud ring
System Selection	Off - Heat - Cool - Auto
Fan Selection	On - Auto



WIRING DIAGRAM



MOUNTING INSTRUCTIONS



RATINGS

INPUT VOLTAGE	OUTPUT RATINGS	
	VOLTAGE	PILOT DUTY
24 VAC	24 VAC	24 VA

MODEL SELECTION GUIDE

Model	Part Number	Description
TC170-001	68717	T170 Staging Thermostat

Represented By: Ross & Pethtel
 Phone: 225-273-2202 www.rosspethtel.com