

Description: PECO T125 series thermostats are single pole, single throw (SPST), open on temperature rise, snap action devices for a variety of liquid or air sensing applications. Their principal use is as a regulating control but some models may also have application as a limit control (see "Important" notice). These controls are designed for precision, durability and accuracy.

Application: The TA & TB models are for direct switching of electrical loads (see "Ratings" table for description). TC models contain a hermetically sealed switch mechanism and are for pilot duty and millivolt or low level electrical loads where the operating environment may cause contact contamination.

IMPORTANT

The T125 series is intended for use as part of an engineered system, suitably enclosed and tested to assure safe, effective operation. The determination of specifications and applications for the T125 is the responsibility of the purchaser.

T125 STANDARD CONSTRUCTION AND OPERATING FEATURES

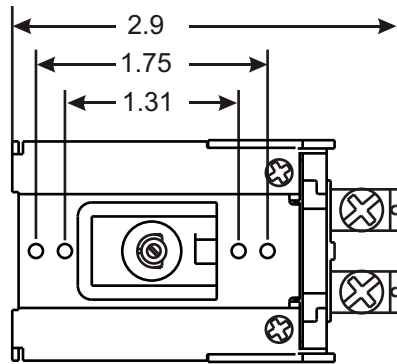
TEMPERATURE RANGE:	Various Ranges Available From 100-700F(37-370C) Fixed or Adjustable Set Point
THERMOSTAT MOUNTING:	1 5/16" or 1 3/4" mounting centers
BULB DIAMETERS:	Standard bulb diameters 3/16", 1/4", 5/16", 3/8"
SENSOR LENGTHS:	Standard capillary lengths to 120"
FITTINGS:	Various capillary fittings available
SHAFT CONFIGURATIONS:	Standard industry shaft configurations available
AGENCY APPROVALS:	UL, UL Canada, CSA, VDE, DEMKO, CE

Represented By: **Ross & Pethtel**

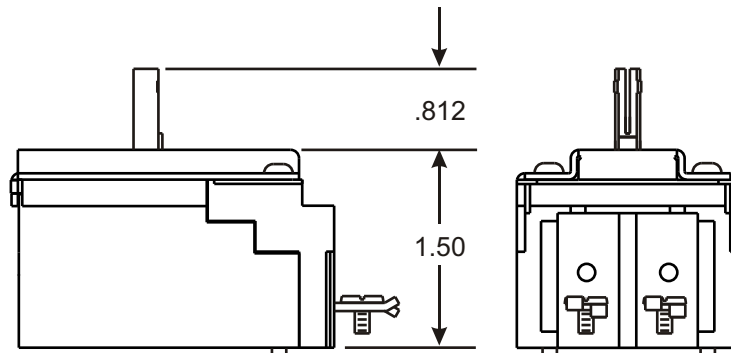
Phone: 225-273-2202 www.rosspethtel.com

ELECTRICAL RATINGS

MODEL	VAC	Non-Inductive (AMPS)	Full Load (AMPS)	Locked Rotor (AMPS)	Pilot Duty (VA)
TA125 AND TA125A (Auxiliary Switch)	120	25	16	80	125
	240	25	12	60	125
	277	22	10	50	125
TB125 AND TB125A (Auxiliary Switch)	120	30	16	80	125
	240	30	12	60	125
	277	30	10	50	125
	480	20	-	-	-
TC125	120 - 277	-	-	-	50
	24	-	-	-	25
	Millivolt - Suitable for 750 millivolt systems				



Standard adjustment shaft
1/4" dia. X .187" flat, shown
at full CCW position



Construction Variables

T125 series controls are available with a number of construction variables and options such as: knobs, bezels, auxiliary switch, pilot light, #8 screw terminals or 1/4" quick connect terminals. Bulb and capillary material available in copper, plated copper or stainless steel.

Information and specifications subject to change without notice.

Represented By: **Ross & Pethtel**
Phone: 225-273-2202 www.rosspethtel.com