



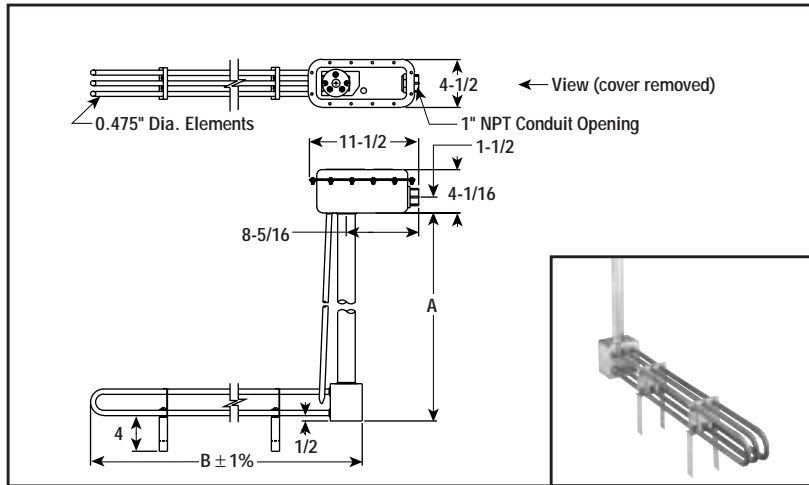
Over-the-Side Immersion Heaters

L-Shaped Metal Sheath Heaters

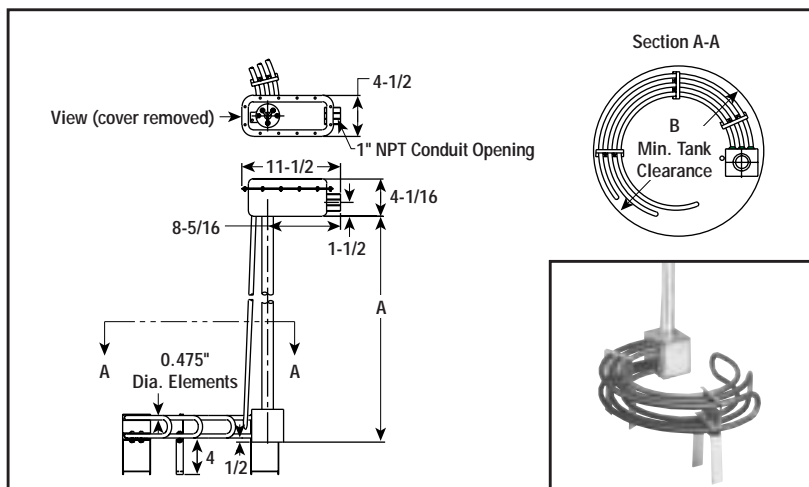
TLC, KTLC, TLO, KTLO, TLS, KTLS, TLI, KTLI

- Copper, Steel, Stainless Steel, INCOLOY® Sheath Elements
- 20 and 40 W/In²
- 2 - 18 kW
- 120, 240 and 480 Volt, 1 & 3 Phase
- Moisture Resistant Terminal Enclosure
- Optional Integral Thermostat

Straight Elements — Dimensions (Inches)



Circular Elements — Dimensions (Inches)



Description

Light weight, portable, easy to install L-shape construction, puts the heat at the bottom of the tank and the terminal enclosure at the top of the tank. Capacities, dimensions and heater sheaths fit a wide range of heating applications. Easy to install and remove for cleaning with straight or circular element designs to fit many tank configurations.

Features

- Copper Sheath and Riser (40 W/In²)
- Steel Sheath and Riser (20 W/In²)
- Stainless Steel Sheath and Riser (40 W/In²)
- INCOLOY® Sheath and Stainless Steel Riser (40 W/In²)
- 36 and 48" Riser Heights
- Moisture Resistant Terminal Enclosure
- Thermowell (standard on S and AS heaters)
- 4" Sludge Legs (standard on S and AS heaters). Increases A dimension 3-1/2". Keeps heated section off bottom of tank.

Optional Features

- Integral Thermostat Kit DPST "AR" type rated 30 Amp at 120 - 277V (field installed)
 - 60 - 250°F (AR-219 Kit, PCN 277819)
 - 200 - 550°F (AR-519 Kit, PCN 277827)¹
 - 0 - 100°F (AR-115 Kit, PCN 277835)
- Factory Installed Thermostat (specify range above)
- Explosion Resistant Terminal Enclosure (CSA/NRTLTC Certified)
- Longer Riser and Sludge Leg Heights

- INCOLOY® Riser
- Process and Overtemperature Protection Thermocouples
- Increase Number of Elements (horizontally and/or vertically) for larger kW ratings
- Lower Watt Densities for heating Viscous Materials
- Manhole Construction for Covered Tanks

Note —

1. Not UL Listed or CSA Certified with 200 - 550°F Thermostat Kit

TLC & KTLC

L-Shaped Metal Sheath Heaters



- Copper Sheath Elements (40 W/In²)
- Copper Riser (36 and 48")
- 2 - 18 kW
- 120, 240 and 480V, 1 & 3 Phase
- Moisture Resistant Terminal Enclosure
- For Clean Water



Specifications and Ordering Information

kW	Volts	Phase	Riser A - DIM (In.)	Straight Elements				Circular Elements				Wt. (Lbs.)
				Min. Tank Clearance B - DIM (In.)	Model	Stock	PCN	Min. Tank Clearance B - DIM (In.)	Model	Stock	PCN	
2 Elements — Copper (40 W/In²)												
2	120	1	36	12-1/4	TLC-220A-036	AS	193375	10-5/8	KTLC-220A-036	AS	183134	7
2	240	1	36	12-1/4	TLC-220A-036	AS	193383	10-5/8	KTLC-220A-036	AS	183142	7
2	480	1	36	12-1/4	TLC-220A-036	AS	193391	10-5/8	KTLC-220A-036	AS	183150	7
4	120	1	36	22-1/4	TLC-240A-036	AS	193404	13-3/4	KTLC-240A-036	AS	183169	9
4	240	1	36	22-1/4	TLC-240A-036	AS	193412	13-3/4	KTLC-240A-036	AS	183177	9
4	480	1	36	22-1/4	TLC-240A-036	AS	193420	13-3/4	KTLC-240A-036	AS	183185	9
6	120	1	36	29-1/2	TLC-260A-036	NS	193439	16-1/8	KTLC-260A-036	NS	183193	9
6	240	1	36	29-1/2	TLC-260A-036	AS	193447	16-1/8	KTLC-260A-036	AS	183206	9
6	480	1	36	29-1/2	TLC-260A-036	AS	193455	16-1/8	KTLC-260A-036	AS	183214	9
4.5/6	208/240	1	48	29-1/2	TLC-260TI-048	S	277755	—	—	—	—	11
8	240	1	36	37-3/8	TLC-280A-036	AS	193463	18-5/8	KTLC-280A-036	AS	183222	11
8	480	1	36	37-3/8	TLC-280A-036	AS	193471	18-5/8	KTLC-280A-036	AS	183230	11
10	240	1	48	45	TLC-210A-048	AS	193480	21-1/4	KTLC-210A-048	AS	183249	14
10	480	1	48	45	TLC-210A-048	AS	193498	21-1/4	KTLC-210A-048	AS	183257	14
12	240	1	48	52-1/2	TLC-212A-048	AS	193500	23-1/2	KTLC-212A-048	AS	183265	16
12	480	1	48	52-1/2	TLC-212A-048	AS	193519	23-1/2	KTLC-212A-048	AS	183273	16
3 Elements — Copper (40 W/In²)												
3	120	1	36	12-1/4	TLC-330A-036	AS	194466	10-5/8	KTLC-330A-036	AS	183281	12
3	240	1	36	12-1/4	TLC-330A-036	AS	194482	10-5/8	KTLC-330A-036	AS	183290	12
3	240	3	36	12-1/4	TLC-330A-036	AS	277712	10-5/8	KTLC-330A-036	AS	183302	12
3	480	1	36	12-1/4	TLC-330A-036	NS	194503	10-5/8	KTLC-330A-036	AS	183310	12
3	480	3	36	12-1/4	TLC-330A-036	AS	194511	10-5/8	KTLC-330A-036	AS	183329	12
6	120	1	36	22-1/4	TLC-360A-036	AS	194520	13-3/4	KTLC-360A-036	AS	183337	12
6	240	1	36	22-1/4	TLC-360A-036	AS	194546	13-3/4	KTLC-360A-036	AS	183345	12
6	240	3	36	22-1/4	TLC-360A-036	S	277720	13-3/4	KTLC-360A-036	AS	183353	12
6	480	1	36	22-1/4	TLC-360A-036	AS	194562	13-3/4	KTLC-360A-036	AS	183361	12
6	480	3	36	22-1/4	TLC-360A-036	AS	277739	13-3/4	KTLC-360A-036	AS	183370	12
9	120	1	36	29-1/2	TLC-390A-036	NS	194589	16-1/8	KTLC-390A-036	NS	183388	13
9	240	1	36	29-1/2	TLC-390A-036	AS	194600	16-1/8	KTLC-390A-036	AS	183396	13
9	240	3	36	29-1/2	TLC-390A-036	AS	194618	16-1/8	KTLC-390A-036	AS	183409	13
9	480	1	36	29-1/2	TLC-390A-036	AS	194626	16-1/8	KTLC-390A-036	AS	183417	13
9	480	3	36	29-1/2	TLC-390A-036	AS	194634	16-1/8	KTLC-390A-036	AS	183425	13
12	240	1	48	37-3/8	TLC-312A-048	AS	194642	18-5/8	KTLC-312A-048	AS	183433	16
12	240	3	48	37-3/8	TLC-312A-048	AS	194650	18-5/8	KTLC-312A-048	AS	183441	16
12	480	1	48	37-3/8	TLC-312A-048	AS	194669	18-5/8	KTLC-312A-048	AS	183450	16
12	480	3	48	37-3/8	TLC-312A-048	AS	277747	18-5/8	KTLC-312A-048	AS	183468	16
15	240	1	48	45	TLC-315A-048	AS	194685	21-1/4	KTLC-315A-048	AS	183476	17
15	240	3	48	45	TLC-315A-048	AS	194693	21-1/4	KTLC-315A-048	AS	183484	17
15	480	1	48	45	TLC-315A-048	AS	194706	21-1/4	KTLC-315A-048	AS	183492	17
15	480	3	48	45	TLC-315A-048	AS	194714	21-1/4	KTLC-315A-048	AS	183505	17
18	240	1	48	52-1/2	TLC-318A-048	AS	194722	23-1/2	KTLC-318A-048	AS	183513	18
18	240	3	48	52-1/2	TLC-318A-048	AS	194730	23-1/2	KTLC-318A-048	AS	183521	18
18	480	1	48	52-1/2	TLC-318A-048	AS	194749	23-1/2	KTLC-318A-048	AS	183530	18
18	480	3	48	52-1/2	TLC-318A-048	AS	194757	23-1/2	KTLC-318A-048	AS	183548	18

Stock Status: S = stock AS = assembly stock NS = non-stock
To Order—Specify model, PCN, kW, volts, phase and quantity.

Note — Thermostat Kit Option: 0 - 100°F (AR-115 Kit, PCN 277835); 60 - 250°F (AR-2529 Kit, PCN 277819); 200 - 550°F (AR-5529 Kit, PCN 277827).

TLO & KTLO L-Shaped Metal Sheath Heaters

- Steel Sheath Elements (20 W/In²)
- Steel Riser (36 and 48")
- 2 - 10 kW
- 120, 240 and 480V, 1 & 3 Phase
- Moisture Resistant Terminal Enclosure
- For Medium Weight Oils & Degreasing Solutions



Over-the-Side

Specifications and Ordering Information

kW	Volts	Phase	Riser A - DIM (In.)	Straight Elements			Circular Elements			Wt. (Lbs.)		
				Min. Tank Clearance B - DIM (In.)	Model	Stock	PCN	Min. Tank Clearance B - DIM (In.)	Model		Stock	PCN
2 Elements — Steel (20 W/In²)												
2	120	1	36	22-1/4	TLO-220A-036	AS	193201	13-3/4	KTLO-220A-036	AS	182967	9
2	240	1	36	22-1/4	TLO-220A-036	AS	193210	13-3/4	KTLO-220A-036	AS	182975	9
2	480	1	36	22-1/4	TLO-220A-036	AS	193228	13-3/4	KTLO-220A-036	AS	182983	9
3	120	1	36	29-1/2	TLO-230A-036	AS	193236	16-1/8	KTLO-230A-036	AS	182991	10
3	240	1	36	29-1/2	TLO-230A-036	AS	193244	16-1/8	KTLO-230A-036	AS	183003	10
3	480	1	36	29-1/2	TLO-230A-036	AS	193252	16-1/8	KTLO-230A-036	AS	183011	10
4	120	1	36	37-3/8	TLO-240A-036	AS	193260	18-5/8	KTLO-240A-036	AS	183020	11
4	240	1	36	37-3/8	TLO-240A-036	AS	193279	18-5/8	KTLO-240A-036	AS	183038	11
4	480	1	36	37-3/8	TLO-240A-036	AS	193287	18-5/8	KTLO-240A-036	AS	183046	11
5	120	1	48	45	TLO-250A-048	AS	193295	21-1/4	KTLO-250A-048	AS	183054	12
5	240	1	48	45	TLO-250A-048	AS	193308	21-1/4	KTLO-250A-048	AS	183062	12
5	480	1	48	45	TLO-250A-048	AS	193316	21-1/4	KTLO-250A-048	AS	183070	12
6	120	1	48	52-1/2	TLO-260A-048	NS	193324	23-1/2	KTLO-260A-048	NS	183089	13
6	240	1	48	52-1/2	TLO-260A-048	AS	193332	23-1/2	KTLO-260A-048	AS	183097	13
6	480	1	48	52-1/2	TLO-260A-048	AS	193340	23-1/2	KTLO-260A-048	AS	183100	13
7	240	1	48	56-1/2	TLO-270A-048	AS	193359	24-7/8	KTLO-270A-048	AS	183118	14
7	480	1	48	56-1/2	TLO-270A-048	AS	193367	24-7/8	KTLO-270A-048	AS	183126	14
3 Elements — Steel (20 W/In²)												
3	120	1	36	22-1/4	TLO-330A-036	AS	193826	13-3/4	KTLO-330A-036	AS	183847	12
3	240	1	36	22-1/4	TLO-330A-036	AS	193842	13-3/4	KTLO-330A-036	AS	183855	12
3	240	3	36	22-1/4	TLO-330A-036	S	277624	13-3/4	KTLO-330A-036	AS	183863	12
3	480	1	36	22-1/4	TLO-330A-036	AS	193869	13-3/4	KTLO-330A-036	AS	183871	12
3	480	3	36	22-1/4	TLO-330A-036	AS	193877	13-3/4	KTLO-330A-036	AS	183880	12
4.5	120	1	36	29-1/2	TLO-345A-036	AS	193885	16-1/8	KTLO-345A-036	AS	183898	13
4.5	240	1	36	29-1/2	TLO-345A-036	AS	193906	16-1/8	KTLO-345A-036	AS	183900	13
4.5	240	3	36	29-1/2	TLO-345A-036	AS	193914	16-1/8	KTLO-345A-036	AS	183919	13
4.5	480	1	36	29-1/2	TLO-345A-036	AS	193922	16-1/8	KTLO-345A-036	AS	183927	13
4.5	480	3	36	29-1/2	TLO-345A-036	AS	193930	16-1/8	KTLO-345A-036	AS	183935	13
6	120	1	48	37-3/8	TLO-360A-048	AS	193949	18-5/8	KTLO-360A-048	AS	183943	13
6	240	1	48	37-3/8	TLO-360A-048	AS	193965	18-5/8	KTLO-360A-048	AS	183951	13
6	240	3	48	37-3/8	TLO-360A-048	S	277632	18-5/8	KTLO-360A-048	AS	277659	13
6	480	1	48	37-3/8	TLO-360A-048	AS	193781	18-5/8	KTLO-360A-048	AS	183960	13
6	480	3	48	37-3/8	TLO-360A-048	S	277640	18-5/8	KTLO-360A-048	S	277667	13
7.5	120	1	48	45	TLO-375A-048	AS	194001	21-1/4	KTLO-375A-048	AS	183978	14
7.5	240	1	48	45	TLO-375A-048	AS	194028	21-1/4	KTLO-375A-048	AS	183986	14
7.5	240	3	48	45	TLO-375A-048	AS	194036	21-1/4	KTLO-375A-048	AS	183994	14
7.5	480	1	48	45	TLO-375A-048	AS	194044	21-1/4	KTLO-375A-048	AS	184006	14
7.5	480	3	48	45	TLO-375A-048	AS	194052	21-1/4	KTLO-375A-048	AS	184014	14
9	120	1	48	52-1/2	TLO-390A-048	NS	194060	23-1/2	KTLO-390A-048	NS	184022	15
9	240	1	48	52-1/2	TLO-390A-048	AS	194087	23-1/2	KTLO-390A-048	AS	184030	15
9	240	3	48	52-1/2	TLO-390A-048	S	277675	23-1/2	KTLO-390A-048	AS	277691	15
9	480	1	48	52-1/2	TLO-390A-048	AS	194108	23-1/2	KTLO-390A-048	AS	184049	15
9	480	3	48	52-1/2	TLO-390A-048	S	277683	23-1/2	KTLO-390A-048	S	277704	15
10	240	1	48	56-1/2	TLO-310A-048	AS	194124	24-7/8	KTLO-310A-048	AS	184057	16
10	240	3	48	56-1/2	TLO-310A-048	AS	194132	24-7/8	KTLO-310A-048	AS	184065	16
10	480	1	48	56-1/2	TLO-310A-048	AS	194140	24-7/8	KTLO-310A-048	AS	184073	16
10	480	3	48	56-1/2	TLO-310A-048	AS	194159	24-7/8	KTLO-310A-048	AS	184081	16

Stock Status: S = stock AS = assembly stock NS = non-stock
To Order—Specify model, PCN, kW, volts, phase and quantity.

Note — Thermostat Kit Option: 0 - 100°F (AR-115 Kit, PCN 277835); 60 - 250°F (AR-2529 Kit, PCN 277819); 200 - 550°F (AR-5529 Kit, PCN 277827).

TLS & KTLS

L-Shaped Metal Sheath Heaters

- Stainless Steel Sheath Elements (40 W/In²)
- Stainless Steel Riser (36 and 48")
- 2 - 18 kW
- 120, 240 and 480V, 1 & 3 Phase
- Moisture Resistant Terminal Enclosure
- For Mildly Corrosive Fluids



Specifications and Ordering Information

kW	Volts	Phase	Riser A - DIM (In.)	Straight Elements				Circular Elements				Wt. (Lbs.)
				Min. Tank Clearance B - DIM (In.)	Model	Stock	PCN	Min. Tank Clearance B - DIM (In.)	Model	Stock	PCN	
2 Elements — Stainless Steel (40 W/In²)												
2	120	1	36	12-1/4	TLS-220A-036	AS	193527	10-5/8	KTLS-220A-036	AS	182810	8
2	240	1	36	12-1/4	TLS-220A-036	AS	193535	10-5/8	KTLS-220A-036	AS	182828	8
2	480	1	36	12-1/4	TLS-220A-036	AS	193543	10-5/8	KTLS-220A-036	AS	182836	8
4	120	1	36	22-1/4	TLS-240A-036	AS	193551	13-3/4	KTLS-240A-036	AS	182844	8
4	240	1	36	22-1/4	TLS-240A-036	AS	193560	13-3/4	KTLS-240A-036	AS	182852	8
4	480	1	36	22-1/4	TLS-240A-036	AS	193578	13-3/4	KTLS-240A-036	AS	182860	8
6	120	1	36	29-1/2	TLS-260A-036	NS	193586	16-1/8	KTLS-260A-036	NS	182879	10
6	240	1	36	29-1/2	TLS-260A-036	AS	193594	16-1/8	KTLS-260A-036	AS	182887	10
6	480	1	36	29-1/2	TLS-260A-036	AS	193607	16-1/8	KTLS-260A-036	AS	182895	10
8	240	1	36	37-3/8	TLS-280A-036	AS	193615	18-5/8	KTLS-280A-036	AS	182908	12
8	480	1	36	37-3/8	TLS-280A-036	AS	193623	18-5/8	KTLS-280A-036	AS	182916	12
10	240	1	48	45	TLS-210A-048	AS	193631	21-1/4	KTLS-210A-048	AS	182924	14
10	480	1	48	45	TLS-210A-048	AS	193640	21-1/4	KTLS-210A-048	AS	182932	14
12	240	1	48	52-1/2	TLS-212A-048	AS	193658	23-1/2	KTLS-212A-048	AS	182940	16
12	480	1	48	52-1/2	TLS-212A-048	AS	193666	23-1/2	KTLS-212A-048	AS	182959	16
3 Elements — Stainless Steel (40 W/In²)												
3	120	1	36	12-1/4	TLS-330A-036	AS	194765	10-5/8	KTLS-330A-036	AS	183628	9
3	240	1	36	12-1/4	TLS-330A-036	AS	194781	10-5/8	KTLS-330A-036	AS	183636	9
3	240	3	36	12-1/4	TLS-330A-036	S	277499	10-5/8	KTLS-330A-036	AS	183644	9
3	480	1	36	12-1/4	TLS-330A-036	AS	194802	10-5/8	KTLS-330A-036	AS	183652	9
3	480	3	36	12-1/4	TLS-330A-036	AS	194510	10-5/8	KTLS-330A-036	AS	183660	9
6	120	1	36	22-1/4	TLS-360A-036	AS	194829	13-3/4	KTLS-360A-036	AS	183679	10
6	240	1	36	22-1/4	TLS-360A-036	AS	194845	13-3/4	KTLS-360A-036	AS	183687	10
6	240	3	36	22-1/4	TLS-360A-036	S	277501	13-3/4	KTLS-360A-036	AS	183695	10
6	480	1	36	22-1/4	TLS-360A-036	AS	194861	13-3/4	KTLS-360A-036	AS	183708	10
6	480	3	36	22-1/4	TLS-360A-036	S	277510	13-3/4	KTLS-360A-036	AS	183716	10
9	120	1	36	29-1/2	TLS-390A-036	NS	194888	16-1/8	KTLS-390A-036	NS	183724	12
9	240	1	36	29-1/2	TLS-390A-036	AS	194909	16-1/8	KTLS-390A-036	AS	183732	12
9	240	3	36	29-1/2	TLS-390A-036	S	277528	16-1/8	KTLS-390A-036	S	277544	12
9	480	1	36	29-1/2	TLS-390A-036	AS	194925	16-1/8	KTLS-390A-036	AS	183740	12
9	480	3	36	29-1/2	TLS-390A-036	S	277536	16-1/8	KTLS-390A-036	S	277552	12
12	240	1	48	37-3/8	TLS-312A-048	AS	194941	18-5/8	KTLS-312A-048	AS	183759	14
12	240	3	48	37-3/8	TLS-312A-048	S	194950	18-5/8	KTLS-312A-048	AS	183767	14
12	480	1	48	37-3/8	TLS-312A-048	AS	194968	18-5/8	KTLS-312A-048	AS	183775	14
12	480	3	48	37-3/8	TLS-312A-048	S	277560	18-5/8	KTLS-312A-048	S	277579	14
15	240	1	48	45	TLS-315A-048	AS	194984	21-1/4	KTLS-315A-048	AS	183783	16
15	240	3	48	45	TLS-315A-048	AS	194992	21-1/4	KTLS-315A-048	AS	183791	16
15	480	1	48	45	TLS-315A-048	AS	195004	21-1/4	KTLS-315A-048	AS	183804	16
15	480	3	48	45	TLS-315A-048	S	277587	21-1/4	KTLS-315A-048	S	277595	16
18	240	1	48	52-1/2	TLS-318A-048	AS	195020	23-1/2	KTLS-318A-048	AS	183812	18
18	240	3	48	52-1/2	TLS-318A-048	AS	195039	23-1/2	KTLS-318A-048	AS	183820	18
18	480	1	48	52-1/2	TLS-318A-048	AS	195047	23-1/2	KTLS-318A-048	AS	183839	18
18	480	3	48	52-1/2	TLS-318A-048	S	277608	23-1/2	KTLS-318A-048	S	277616	18

Stock Status: S = stock AS = assembly stock NS = non-stock
To Order—Specify model, PCN, kW, volts, phase and quantity.

Note — Thermostat Kit Option: 0 - 100°F (AR-115 Kit, PCN 277835); 60 - 250°F (AR-2529 Kit, PCN 277819); 200 - 550°F (AR-5529 Kit, PCN 277827).

TLI & KTLI

L-Shaped Metal Sheath Heaters

- INCOLOY® Sheath Elements (40 W/in²)
- Stainless Steel Riser (36 and 48")
- 2 - 18 kW
- 120, 240 and 480V, 1 & 3 Phase
- Moisture Resistant Terminal Enclosure
- For Corrosive Fluids



Over-the-Side

Specifications and Ordering Information

kW	Volts	Phase	Riser A - DIM (In.)	Straight Elements			Circular Elements			Wt. (Lbs.)		
				Min. Tank Clearance B - DIM (In.)	Model	Stock	PCN	Min. Tank Clearance B - DIM (In.)	Model		Stock	PCN
2 Elements — INCOLOY® (40 W/in²)												
2	120	1	36	12-1/4	TLI-220A-036	AS	092970	10-5/8	KTLI-220A-036	AS	093120	8
2	240	1	36	12-1/4	TLI-220A-036	AS	092988	10-5/8	KTLI-220A-036	AS	093139	8
2	480	1	36	12-1/4	TLI-220A-036	AS	092996	10-5/8	KTLI-220A-036	AS	093147	8
4	120	1	36	22-1/4	TLI-240A-036	AS	093008	13-3/4	KTLI-240A-036	AS	093155	8
4	240	1	36	22-1/4	TLI-240A-036	AS	093016	13-3/4	KTLI-240A-036	AS	093163	8
4	480	1	36	22-1/4	TLI-240A-036	AS	093024	13-3/4	KTLI-240A-036	AS	093171	8
6	120	1	36	29-1/2	TLI-260A-036	AS	093032	16-1/8	KTLI-260A-036	AS	093180	10
6	240	1	36	29-1/2	TLI-260A-036	AS	093040	16-1/8	KTLI-260A-036	AS	093198	10
6	480	1	36	29-1/2	TLI-260A-036	AS	093059	16-1/8	KTLI-260A-036	AS	093200	10
8	240	1	36	37-3/8	TLI-280A-036	AS	093067	18-5/8	KTLI-280A-036	AS	093219	12
8	480	1	36	37-3/8	TLI-280A-036	AS	093075	18-5/8	KTLI-280A-036	AS	093227	12
10	240	1	48	45	TLI-210A-048	AS	093083	21-1/4	KTLI-210A-048	AS	093235	14
10	480	1	48	45	TLI-210A-048	AS	093091	21-1/4	KTLI-210A-048	AS	093243	14
12	240	1	48	52-1/2	TLI-212A-048	AS	093104	23-1/2	KTLI-212A-048	AS	093251	16
12	480	1	48	52-1/2	TLI-212A-048	AS	093112	23-1/2	KTLI-212A-048	AS	093260	16
3 Elements — INCOLOY® (40 W/in²)												
3	120	1	36	12-1/4	TLI-330A-036	AS	093278	10-5/8	KTLI-330A-036	AS	093542	9
3	240	1	36	12-1/4	TLI-330A-036	AS	093286	10-5/8	KTLI-330A-036	AS	093550	9
3	240	3	36	12-1/4	TLI-330A-036	AS	093294	10-5/8	KTLI-330A-036	AS	093569	9
3	480	1	36	12-1/4	TLI-330A-036	AS	093307	10-5/8	KTLI-330A-036	AS	093577	9
3	480	3	36	12-1/4	TLI-330A-036	AS	093315	10-5/8	KTLI-330A-036	AS	093585	9
6	120	1	36	22-1/4	TLI-360A-036	AS	093323	13-3/4	KTLI-360A-036	AS	093593	10
6	240	1	36	22-1/4	TLI-360A-036	AS	093331	13-3/4	KTLI-360A-036	AS	093606	10
6	240	3	36	22-1/4	TLI-360A-036	AS	093340	13-3/4	KTLI-360A-036	AS	093614	10
6	480	1	36	22-1/4	TLI-360A-036	AS	093358	13-3/4	KTLI-360A-036	AS	093622	10
6	480	3	36	22-1/4	TLI-360A-036	AS	093366	13-3/4	KTLI-360A-036	AS	093630	10
9	120	1	36	29-1/2	TLI-390A-036	NS	093374	16-1/8	KTLI-390A-036	NS	093649	12
9	240	1	36	29-1/2	TLI-390A-036	AS	093382	16-1/8	KTLI-390A-036	AS	093657	12
9	240	3	36	29-1/2	TLI-390A-036	AS	093390	16-1/8	KTLI-390A-036	AS	093665	12
9	480	1	36	29-1/2	TLI-390A-036	AS	093403	16-1/8	KTLI-390A-036	AS	093673	12
9	480	3	36	29-1/2	TLI-390A-036	AS	093411	16-1/8	KTLI-390A-036	AS	093681	12
12	240	1	48	37-3/8	TLI-312A-048	AS	093420	18-5/8	KTLI-312A-048	AS	093690	14
12	240	3	48	37-3/8	TLI-312A-048	AS	093438	18-5/8	KTLI-312A-048	AS	093702	14
12	480	1	48	37-3/8	TLI-312A-048	AS	093446	18-5/8	KTLI-312A-048	AS	093710	14
12	480	3	48	37-3/8	TLI-312A-048	AS	093454	18-5/8	KTLI-312A-048	AS	093729	14
15	240	1	48	45	TLI-315A-048	AS	093462	21-1/4	KTLI-315A-048	AS	093737	16
15	240	3	48	45	TLI-315A-048	AS	093470	21-1/4	KTLI-315A-048	AS	093745	16
15	480	1	48	45	TLI-315A-048	AS	093489	21-1/4	KTLI-315A-048	AS	093753	16
15	480	3	48	45	TLI-315A-048	AS	093497	21-1/4	KTLI-315A-048	AS	093761	16
18	240	1	48	52-1/2	TLI-318A-048	AS	093500	23-1/2	KTLI-318A-048	AS	093770	18
18	240	3	48	52-1/2	TLI-318A-048	AS	093518	23-1/2	KTLI-318A-048	AS	093788	18
18	480	1	48	52-1/2	TLI-318A-048	AS	093526	23-1/2	KTLI-318A-048	AS	093796	18
18	480	3	48	52-1/2	TLI-318A-048	AS	093534	23-1/2	KTLI-318A-048	AS	093809	18

Stock Status: S = stock AS = assembly stock NS = non-stock
To Order—Specify model, PCN, kW, volts, phase and quantity.

Note — Thermostat Kit Option: 0 - 100°F (AR-115 Kit, PCN 277835); 60 - 250°F (AR-2529 Kit, PCN 277819); 200 - 550°F (AR-5529 Kit, PCN 277827).