



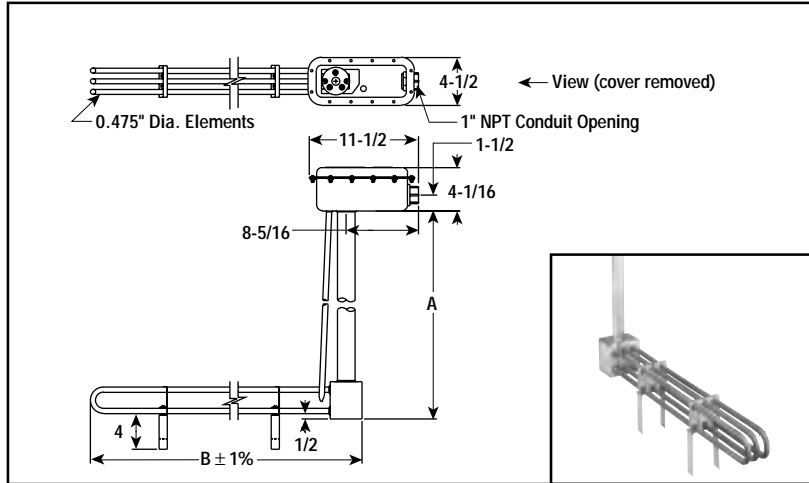
Over-the-Side Immersion Heaters

L-Shaped Metal Sheath Heaters

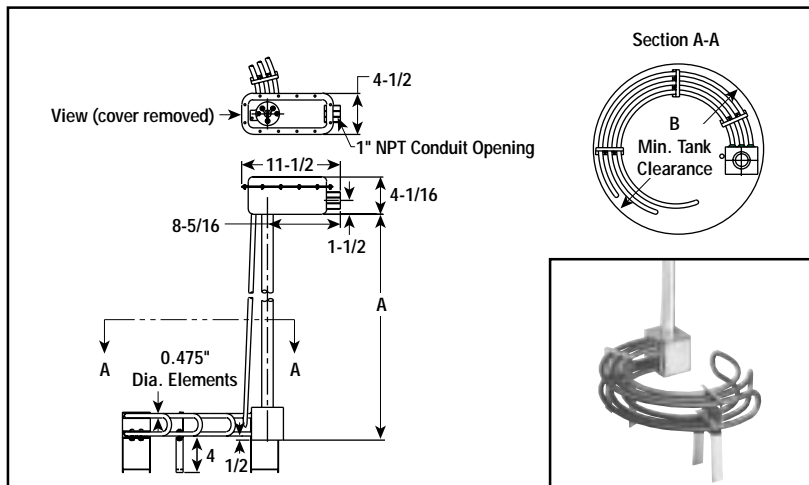
TLC, KTLC, TLO, KTLO,
TLS, KTLS, TLI, KTLI

- Copper, Steel, Stainless Steel, INCOLOY® Sheath Elements
- 20 and 40 W/In²
- 2 - 18 kW
- 120, 240 and 480 Volt, 1 & 3 Phase
- Moisture Resistant Terminal Enclosure
- Optional Integral Thermostat

Straight Elements — Dimensions (Inches)



Circular Elements — Dimensions (Inches)



Description

Light weight, portable, easy to install L-shape construction, puts the heat at the bottom of the tank and the terminal enclosure at the top of the tank. Capacities, dimensions and heater sheaths fit a wide range of heating applications. Easy to install and remove for cleaning with straight or circular element designs to fit many tank configurations.

Features

- Copper Sheath and Riser (40 W/In²)
- Steel Sheath and Riser (20 W/In²)
- Stainless Steel Sheath and Riser (40 W/In²)
- INCOLOY® Sheath and Stainless Steel Riser (40 W/In²)
- 36 and 48" Riser Heights
- Moisture Resistant Terminal Enclosure
- Thermowell (standard on S and AS heaters)
- 4" Sludge Legs (standard on S and AS heaters). Increases A dimension 3-1/2". Keeps heated section off bottom of tank.

Optional Features

- Integral Thermostat Kit DPST "AR" type rated 30 Amp at 120 - 277V (field installed)
 - 60 - 250°F (AR-219 Kit, PCN 277819)
 - 200 - 550°F (AR-519 Kit, PCN 277827)¹
 - 0 - 100°F (AR-115 Kit, PCN 277835)
- Factory Installed Thermostat (specify range above)
- Explosion Resistant Terminal Enclosure (CSA/NRTLTC Certified)
- Longer Riser and Sludge Leg Heights
- INCOLOY® Riser
- Process and Overtemperature Protection Thermocouples
- Increase Number of Elements (horizontally and/or vertically) for larger kW ratings
- Lower Watt Densities for heating Viscous Materials
- Manhole Construction for Covered Tanks

Note —

1. Not UL Listed or CSA Certified with 200 - 550°F Thermostat Kit

TLC & KTLC

L-Shaped Metal Sheath Heaters



- Copper Sheath Elements (40 W/In²)
- Copper Riser (36 and 48")
- 2 - 18 kW
- 120, 240 and 480V, 1 & 3 Phase
- Moisture Resistant Terminal Enclosure
- For Clean Water

Specifications and Ordering Information

kW	Volts	Phase	Riser A - DIM (In.)	Straight Elements				Circular Elements				Wt. (Lbs.)
				Min. Tank Clearance B - DIM (In.)	Model	Stock	PCN	Min. Tank Clearance B - DIM (In.)	Model	Stock	PCN	
2 Elements — Copper (40 W/In²)												
2	120	1	36	12-1/4	TLC-220A-036	AS	193375	10-5/8	KTLC-220A-036	AS	183134	7
2	240	1	36	12-1/4	TLC-220A-036	AS	193383	10-5/8	KTLC-220A-036	AS	183142	7
2	480	1	36	12-1/4	TLC-220A-036	AS	193391	10-5/8	KTLC-220A-036	AS	183150	7
4	120	1	36	22-1/4	TLC-240A-036	AS	193404	13-3/4	KTLC-240A-036	AS	183169	9
4	240	1	36	22-1/4	TLC-240A-036	AS	193412	13-3/4	KTLC-240A-036	AS	183177	9
4	480	1	36	22-1/4	TLC-240A-036	AS	193420	13-3/4	KTLC-240A-036	AS	183185	9
6	120	1	36	29-1/2	TLC-260A-036 ¹	NS	193439	16-1/8	KTLC-260A-036 ¹	NS	183193	9
6	240	1	36	29-1/2	TLC-260A-036	AS	193447	16-1/8	KTLC-260A-036	AS	183206	9
6	480	1	36	29-1/2	TLC-260A-036	AS	193455	16-1/8	KTLC-260A-036	AS	183214	9
4.5/6	208/240	1	48	29-1/2	TLC-260TI-048	S	277755	—	—	—	—	11
8	240	1	36	37-3/8	TLC-280A-036	AS	193463	18-5/8	KTLC-280A-036	AS	183222	11
8	480	1	36	37-3/8	TLC-280A-036	AS	193471	18-5/8	KTLC-280A-036	AS	183230	11
10	240	1	48	45	TLC-210A-048	AS	193480	21-1/4	KTLC-210A-048	AS	183249	14
10	480	1	48	45	TLC-210A-048	AS	193498	21-1/4	KTLC-210A-048	AS	183257	14
12	240	1	48	52-1/2	TLC-212A-048 ¹	AS	193500	23-1/2	KTLC-212A-048 ¹	AS	183265	16
12	480	1	48	52-1/2	TLC-212A-048	AS	193519	23-1/2	KTLC-212A-048	AS	183273	16
3 Elements — Copper (40 W/In²)												
3	120	1	36	12-1/4	TLC-330A-036	AS	194466	10-5/8	KTLC-330A-036	AS	183281	12
3	240	1	36	12-1/4	TLC-330A-036	AS	194482	10-5/8	KTLC-330A-036	AS	183290	12
3	240	3	36	12-1/4	TLC-330A-036	AS	277712	10-5/8	KTLC-330A-036	AS	183302	12
3	480	1	36	12-1/4	TLC-330A-036	NS	194503	10-5/8	KTLC-330A-036	AS	183310	12
3	480	3	36	12-1/4	TLC-330A-036	AS	194511	10-5/8	KTLC-330A-036	AS	183329	12
6	120	1	36	22-1/4	TLC-360A-036 ¹	AS	194520	13-3/4	KTLC-360A-036 ¹	AS	183337	12
6	240	1	36	22-1/4	TLC-360A-036	AS	194546	13-3/4	KTLC-360A-036	AS	183345	12
6	240	3	36	22-1/4	TLC-360A-036	S	277720	13-3/4	KTLC-360A-036	AS	183353	12
6	480	1	36	22-1/4	TLC-360A-036	AS	194562	13-3/4	KTLC-360A-036	AS	183361	12
6	480	3	36	22-1/4	TLC-360A-036	AS	277739	13-3/4	KTLC-360A-036	AS	183370	12
9	120	1	36	29-1/2	TLC-390A-036 ¹	NS	194589	16-1/8	KTLC-390A-036 ¹	NS	183388	13
9	240	1	36	29-1/2	TLC-390A-036	AS	194600	16-1/8	KTLC-390A-036	AS	183396	13
9	240	3	36	29-1/2	TLC-390A-036	AS	194618	16-1/8	KTLC-390A-036	AS	183409	13
9	480	1	36	29-1/2	TLC-390A-036	AS	194626	16-1/8	KTLC-390A-036	AS	183417	13
9	480	3	36	29-1/2	TLC-390A-036	AS	194634	16-1/8	KTLC-390A-036	AS	183425	13
12	240	1	48	37-3/8	TLC-312A-048 ¹	AS	194642	18-5/8	KTLC-312A-048 ¹	AS	183433	16
12	240	3	48	37-3/8	TLC-312A-048	AS	194650	18-5/8	KTLC-312A-048	AS	183441	16
12	480	1	48	37-3/8	TLC-312A-048	AS	194669	18-5/8	KTLC-312A-048	AS	183450	16
12	480	3	48	37-3/8	TLC-312A-048	AS	277747	18-5/8	KTLC-312A-048	AS	183468	16
15	240	1	48	45	TLC-315A-048 ¹	AS	194685	21-1/4	KTLC-315A-048 ¹	AS	183476	17
15	240	3	48	45	TLC-315A-048	AS	194693	21-1/4	KTLC-315A-048	AS	183484	17
15	480	1	48	45	TLC-315A-048	AS	194706	21-1/4	KTLC-315A-048	AS	183492	17
15	480	3	48	45	TLC-315A-048	AS	194714	21-1/4	KTLC-315A-048	AS	183505	17
18	240	1	48	52-1/2	TLC-318A-048 ¹	AS	194722	23-1/2	KTLC-318A-048 ¹	AS	183513	18
18	240	3	48	52-1/2	TLC-318A-048	AS	194730	23-1/2	KTLC-318A-048	AS	183521	18
18	480	1	48	52-1/2	TLC-318A-048	AS	194749	23-1/2	KTLC-318A-048	AS	183530	18
18	480	3	48	52-1/2	TLC-318A-048	AS	194757	23-1/2	KTLC-318A-048	AS	183548	18

Stock Status: S = stock AS = assembly stock NS = non-stock **Note** — Thermostat Kit Option: 0 - 100°F (AR-115 Kit, PCN 277835); 60 - 250°F (AR-2529 Kit, PCN 277819); 200 - 550°F (AR-5529 Kit, PCN 277827).

To Order—Specify model, PCN, kW, volts, phase and quantity.

1. Not UL or CSA (units exceed 48 Amps). Contact your Local Chromalox Sales office for additional circuits to comply with 48 Amp maximum.

TLO & KTLO

L-Shaped Metal Sheath Heaters

- Steel Sheath Elements (20 W/In²)
- Steel Riser (36 and 48")
- 2 - 10 kW
- 120, 240 and 480V, 1 & 3 Phase
- Moisture Resistant Terminal Enclosure
- For Medium Weight Oils & Degreasing Solutions



Over-the-Side

Specifications and Ordering Information

kW	Volts	Phase	Riser A - DIM (in.)	Straight Elements				Circular Elements				Wt. (Lbs.)
				Min. Tank Clearance B - DIM (in.)	Model	Stock	PCN	Min. Tank Clearance B - DIM (in.)	Model	Stock	PCN	
2 Elements — Steel (20 W/In²)												
2	120	1	36	22-1/4	TLO-220A-036	AS	193201	13-3/4	KTLO-220A-036	AS	182967	9
2	240	1	36	22-1/4	TLO-220A-036	AS	193210	13-3/4	KTLO-220A-036	AS	182975	9
2	480	1	36	22-1/4	TLO-220A-036	AS	193228	13-3/4	KTLO-220A-036	AS	182983	9
3	120	1	36	29-1/2	TLO-230A-036	AS	193236	16-1/8	KTLO-230A-036	AS	182991	10
3	240	1	36	29-1/2	TLO-230A-036	AS	193244	16-1/8	KTLO-230A-036	AS	183003	10
3	480	1	36	29-1/2	TLO-230A-036	AS	193252	16-1/8	KTLO-230A-036	AS	183011	10
4	120	1	36	37-3/8	TLO-240A-036	AS	193260	18-5/8	KTLO-240A-036	AS	183020	11
4	240	1	36	37-3/8	TLO-240A-036	AS	193279	18-5/8	KTLO-240A-036	AS	183038	11
4	480	1	36	37-3/8	TLO-240A-036	AS	193287	18-5/8	KTLO-240A-036	AS	183046	11
5	120	1	48	45	TLO-250A-048	AS	193295	21-1/4	KTLO-250A-048	AS	183054	12
5	240	1	48	45	TLO-250A-048	AS	193308	21-1/4	KTLO-250A-048	AS	183062	12
5	480	1	48	45	TLO-250A-048	AS	193316	21-1/4	KTLO-250A-048	AS	183070	12
6	120	1	48	52-1/2	TLO-260A-048 ¹	NS	193324	23-1/2	KTLO-260A-048 ¹	NS	183089	13
6	240	1	48	52-1/2	TLO-260A-048	AS	193332	23-1/2	KTLO-260A-048	AS	183097	13
6	480	1	48	52-1/2	TLO-260A-048	AS	193340	23-1/2	KTLO-260A-048	AS	183100	13
7	240	1	48	56-1/2	TLO-270A-048	AS	193359	24-7/8	KTLO-270A-048	AS	183118	14
7	480	1	48	56-1/2	TLO-270A-048	AS	193367	24-7/8	KTLO-270A-048	AS	183126	14
3 Elements — Steel (20 W/In²)												
3	120	1	36	22-1/4	TLO-330A-036	AS	193826	13-3/4	KTLO-330A-036	AS	183847	12
3	240	1	36	22-1/4	TLO-330A-036	AS	193842	13-3/4	KTLO-330A-036	AS	183855	12
3	240	3	36	22-1/4	TLO-330A-036	S	277624	13-3/4	KTLO-330A-036	AS	183863	12
3	480	1	36	22-1/4	TLO-330A-036	AS	193869	13-3/4	KTLO-330A-036	AS	183871	12
3	480	3	36	22-1/4	TLO-330A-036	AS	193877	13-3/4	KTLO-330A-036	AS	183880	12
4.5	120	1	36	29-1/2	TLO-345A-036	AS	193885	16-1/8	KTLO-345A-036	AS	183898	13
4.5	240	1	36	29-1/2	TLO-345A-036	AS	193906	16-1/8	KTLO-345A-036	AS	183900	13
4.5	240	3	36	29-1/2	TLO-345A-036	AS	193914	16-1/8	KTLO-345A-036	AS	183919	13
4.5	480	1	36	29-1/2	TLO-345A-036	AS	193922	16-1/8	KTLO-345A-036	AS	183927	13
4.5	480	3	36	29-1/2	TLO-345A-036	AS	193930	16-1/8	KTLO-345A-036	AS	183935	13
6	120	1	48	37-3/8	TLO-360A-048 ¹	AS	193949	18-5/8	KTLO-360A-048 ¹	AS	183943	13
6	240	1	48	37-3/8	TLO-360A-048	AS	193965	18-5/8	KTLO-360A-048	AS	183951	13
6	240	3	48	37-3/8	TLO-360A-048	S	277632	18-5/8	KTLO-360A-048	AS	277659	13
6	480	1	48	37-3/8	TLO-360A-048	AS	193981	18-5/8	KTLO-360A-048	AS	183960	13
6	480	3	48	37-3/8	TLO-360A-048	S	277640	18-5/8	KTLO-360A-048	S	277667	13
7.5	120	1	48	45	TLO-375A-048 ¹	AS	194001	21-1/4	KTLO-375A-048 ¹	AS	183978	14
7.5	240	1	48	45	TLO-375A-048	AS	194028	21-1/4	KTLO-375A-048	AS	183986	14
7.5	240	3	48	45	TLO-375A-048	AS	194036	21-1/4	KTLO-375A-048	AS	183994	14
7.5	480	1	48	45	TLO-375A-048	AS	194044	21-1/4	KTLO-375A-048	AS	184006	14
7.5	480	3	48	45	TLO-375A-048	AS	194052	21-1/4	KTLO-375A-048	AS	184014	14
9	120	1	48	52-1/2	TLO-390A-048 ¹	NS	194060	23-1/2	KTLO-390A-048 ¹	NS	184022	15
9	240	1	48	52-1/2	TLO-390A-048	AS	194087	23-1/2	KTLO-390A-048	AS	184030	15
9	240	3	48	52-1/2	TLO-390A-048	S	277675	23-1/2	KTLO-390A-048	AS	277691	15
9	480	1	48	52-1/2	TLO-390A-048	AS	194108	23-1/2	KTLO-390A-048	AS	184049	15
9	480	3	48	52-1/2	TLO-390A-048	S	277683	23-1/2	KTLO-390A-048	S	277704	15
10	240	1	48	56-1/2	TLO-310A-048 ¹	AS	194124	24-7/8	KTLO-310A-048 ¹	AS	184057	16
10	240	3	48	56-1/2	TLO-310A-048	AS	194132	24-7/8	KTLO-310A-048	AS	184065	16
10	480	1	48	56-1/2	TLO-310A-048	AS	194140	24-7/8	KTLO-310A-048	AS	184073	16
10	480	3	48	56-1/2	TLO-310A-048	AS	194159	24-7/8	KTLO-310A-048	AS	184081	16

Stock Status: S = stock AS = assembly stock NS = non-stock **Note** — Thermostat Kit Option: 0 - 100°F (AR-115 Kit, PCN 277835); 60 - 250°F (AR-2529 Kit, PCN 277819); 200 - 550°F (AR-5529 Kit, PCN 277827).

To Order—Specify model, PCN, kW, volts, phase and quantity.

1. Not UL or CSA (units exceed 48 Amps). Contact your Local Chromalox Sales office for additional circuits to comply with 48 Amp maximum.

TLS & KTLS

L-Shaped Metal Sheath Heaters

- Stainless Steel Sheath Elements (40 W/In²)
- Stainless Steel Riser (36 and 48")
- 2 - 18 kW
- 120, 240 and 480V, 1 & 3 Phase
- Moisture Resistant Terminal Enclosure
- For Mildly Corrosive Fluids



Specifications and Ordering Information

kW	Volts	Phase	Riser A - DIM (In.)	Straight Elements				Circular Elements				Wt. (Lbs.)
				Min. Tank Clearance B - DIM (In.)	Model	Stock	PCN	Min. Tank Clearance B - DIM (In.)	Model	Stock	PCN	
2 Elements — Stainless Steel (40 W/In²)												
2	120	1	36	12-1/4	TLS-220A-036	AS	193527	10-5/8	KTLS-220A-036	AS	182810	8
2	240	1	36	12-1/4	TLS-220A-036	AS	193535	10-5/8	KTLS-220A-036	AS	182828	8
2	480	1	36	12-1/4	TLS-220A-036	AS	193543	10-5/8	KTLS-220A-036	AS	182836	8
4	120	1	36	22-1/4	TLS-240A-036	AS	193551	13-3/4	KTLS-240A-036	AS	182844	8
4	240	1	36	22-1/4	TLS-240A-036	AS	193560	13-3/4	KTLS-240A-036	AS	182852	8
4	480	1	36	22-1/4	TLS-240A-036	AS	193578	13-3/4	KTLS-240A-036	AS	182860	8
6	120	1	36	29-1/2	TLS-260A-036 ¹	NS	193586	16-1/8	KTLS-260A-036 ¹	NS	182879	10
6	240	1	36	29-1/2	TLS-260A-036	AS	193594	16-1/8	KTLS-260A-036	AS	182887	10
6	480	1	36	29-1/2	TLS-260A-036	AS	193607	16-1/8	KTLS-260A-036	AS	182895	10
8	240	1	36	37-3/8	TLS-280A-036	AS	193615	18-5/8	KTLS-280A-036	AS	182908	12
8	480	1	36	37-3/8	TLS-280A-036	AS	193623	18-5/8	KTLS-280A-036	AS	182916	12
10	240	1	48	45	TLS-210A-048	AS	193631	21-1/4	KTLS-210A-048	AS	182924	14
10	480	1	48	45	TLS-210A-048	AS	193640	21-1/4	KTLS-210A-048	AS	182932	14
12	240	1	48	52-1/2	TLS-212A-048 ¹	AS	193658	23-1/2	KTLS-212A-048 ¹	AS	182940	16
12	480	1	48	52-1/2	TLS-212A-048	AS	193666	23-1/2	KTLS-212A-048	AS	182959	16
3 Elements — Stainless Steel (40 W/In²)												
3	120	1	36	12-1/4	TLS-330A-036	AS	194765	10-5/8	KTLS-330A-036	AS	183628	9
3	240	1	36	12-1/4	TLS-330A-036	AS	194781	10-5/8	KTLS-330A-036	AS	183636	9
3	240	3	36	12-1/4	TLS-330A-036	S	277499	10-5/8	KTLS-330A-036	AS	183644	9
3	480	1	36	12-1/4	TLS-330A-036	AS	194802	10-5/8	KTLS-330A-036	AS	183652	9
3	480	3	36	12-1/4	TLS-330A-036	AS	194810	10-5/8	KTLS-330A-036	AS	183660	9
6	120	1	36	22-1/4	TLS-360A-036 ¹	AS	194829	13-3/4	KTLS-360A-036 ¹	AS	183679	10
6	240	1	36	22-1/4	TLS-360A-036	AS	194845	13-3/4	KTLS-360A-036	AS	183687	10
6	240	3	36	22-1/4	TLS-360A-036	S	277501	13-3/4	KTLS-360A-036	AS	183695	10
6	480	1	36	22-1/4	TLS-360A-036	AS	194861	13-3/4	KTLS-360A-036	AS	183708	10
6	480	3	36	22-1/4	TLS-360A-036	S	277510	13-3/4	KTLS-360A-036	AS	183716	10
9	120	1	36	29-1/2	TLS-390A-036 ¹	NS	194888	16-1/8	KTLS-390A-036 ¹	NS	183724	12
9	240	1	36	29-1/2	TLS-390A-036	AS	194909	16-1/8	KTLS-390A-036	AS	183732	12
9	240	3	36	29-1/2	TLS-390A-036	S	277528	16-1/8	KTLS-390A-036	S	277544	12
9	480	1	36	29-1/2	TLS-390A-036	AS	194925	16-1/8	KTLS-390A-036	AS	183740	12
9	480	3	36	29-1/2	TLS-390A-036	S	277536	16-1/8	KTLS-390A-036	S	277552	12
12	240	1	48	37-3/8	TLS-312A-048 ¹	AS	194941	18-5/8	KTLS-312A-048 ¹	AS	183759	14
12	240	3	48	37-3/8	TLS-312A-048	S	194950	18-5/8	KTLS-312A-048	AS	183767	14
12	480	1	48	37-3/8	TLS-312A-048	AS	194968	18-5/8	KTLS-312A-048	AS	183775	14
12	480	3	48	37-3/8	TLS-312A-048	S	277560	18-5/8	KTLS-312A-048	S	277579	14
15	240	1	48	45	TLS-315A-048 ¹	AS	194984	21-1/4	KTLS-315A-048 ¹	AS	183783	16
15	240	3	48	45	TLS-315A-048	AS	194992	21-1/4	KTLS-315A-048	AS	183791	16
15	480	1	48	45	TLS-315A-048	AS	195004	21-1/4	KTLS-315A-048	AS	183804	16
15	480	3	48	45	TLS-315A-048	S	277587	21-1/4	KTLS-315A-048	S	277595	16
18	240	1	48	52-1/2	TLS-318A-048 ¹	AS	195020	23-1/2	KTLS-318A-048 ¹	AS	183812	18
18	240	3	48	52-1/2	TLS-318A-048	AS	195039	23-1/2	KTLS-318A-048	AS	183820	18
18	480	1	48	52-1/2	TLS-318A-048	AS	195047	23-1/2	KTLS-318A-048	AS	183839	18
18	480	3	48	52-1/2	TLS-318A-048	S	277608	23-1/2	KTLS-318A-048	S	277616	18

Stock Status: S = stock AS = assembly stock NS = non-stock
To Order—Specify model, PCN, kW, volts, phase and quantity.

Note — Thermostat Kit Option: 0 - 100°F (AR-115 Kit, PCN 277835); 60 - 250°F (AR-2529 Kit, PCN 277819); 200 - 550°F (AR-5529 Kit, PCN 277827).

1. Not UL or CSA (units exceed 48 Amps). Contact your Local Chromalox Sales office for additional circuits to comply with 48 Amp maximum.

TLI & KTLI

L-Shaped Metal Sheath Heaters



Over-the-Side

- INCOLOY® Sheath Elements (40 W/in²)
- Stainless Steel Riser (36 and 48")
- 2 - 18 kW
- 120, 240 and 480V, 1 & 3 Phase
- Moisture Resistant Terminal Enclosure
- For Corrosive Fluids

Specifications and Ordering Information

kW	Volts	Phase	Riser A - DIM (In.)	Straight Elements				Circular Elements				Wt. (Lbs.)
				Min. Tank Clearance B - DIM (In.)	Model	Stock	PCN	Min. Tank Clearance B - DIM (In.)	Model	Stock	PCN	
2 Elements — INCOLOY® (40 W/in²)												
2	120	1	36	12-1/4	TLI-220A-036	AS	092970	10-5/8	KTLI-220A-036	AS	093120	8
2	240	1	36	12-1/4	TLI-220A-036	AS	092988	10-5/8	KTLI-220A-036	AS	093139	8
2	480	1	36	12-1/4	TLI-220A-036	AS	092996	10-5/8	KTLI-220A-036	AS	093147	8
4	120	1	36	22-1/4	TLI-240A-036	AS	093008	13-3/4	KTLI-240A-036	AS	093155	8
4	240	1	36	22-1/4	TLI-240A-036	AS	093016	13-3/4	KTLI-240A-036	AS	093163	8
4	480	1	36	22-1/4	TLI-240A-036	AS	093024	13-3/4	KTLI-240A-036	AS	093171	8
6	120	1	36	29-1/2	TLI-260A-036 ¹	AS	093032	16-1/8	KTLI-260A-036 ¹	AS	093180	10
6	240	1	36	29-1/2	TLI-260A-036	AS	093040	16-1/8	KTLI-260A-036	AS	093198	10
6	480	1	36	29-1/2	TLI-260A-036	AS	093059	16-1/8	KTLI-260A-036	AS	093200	10
8	240	1	36	37-3/8	TLI-280A-036	AS	093067	18-5/8	KTLI-280A-036	AS	093219	12
8	480	1	36	37-3/8	TLI-280A-036	AS	093075	18-5/8	KTLI-280A-036	AS	093227	12
10	240	1	48	45	TLI-210A-048	AS	093083	21-1/4	KTLI-210A-048	AS	093235	14
10	480	1	48	45	TLI-210A-048	AS	093091	21-1/4	KTLI-210A-048	AS	093243	14
12	240	1	48	52-1/2	TLI-212A-048 ¹	AS	093104	23-1/2	KTLI-212A-048 ¹	AS	093251	16
12	480	1	48	52-1/2	TLI-212A-048	AS	093112	23-1/2	KTLI-212A-048	AS	093260	16
3 Elements — INCOLOY® (40 W/in²)												
3	120	1	36	12-1/4	TLI-330A-036	AS	093278	10-5/8	KTLI-330A-036	AS	093542	9
3	240	1	36	12-1/4	TLI-330A-036	AS	093286	10-5/8	KTLI-330A-036	AS	093550	9
3	240	3	36	12-1/4	TLI-330A-036	AS	093294	10-5/8	KTLI-330A-036	AS	093569	9
3	480	1	36	12-1/4	TLI-330A-036	AS	093307	10-5/8	KTLI-330A-036	AS	093577	9
3	480	3	36	12-1/4	TLI-330A-036	AS	093315	10-5/8	KTLI-330A-036	AS	093585	9
6	120	1	36	22-1/4	TLI-360A-036 ¹	AS	093323	13-3/4	KTLI-360A-036 ¹	AS	093593	10
6	240	1	36	22-1/4	TLI-360A-036	AS	093331	13-3/4	KTLI-360A-036	AS	093606	10
6	240	3	36	22-1/4	TLI-360A-036	AS	093340	13-3/4	KTLI-360A-036	AS	093614	10
6	480	1	36	22-1/4	TLI-360A-036	AS	093358	13-3/4	KTLI-360A-036	AS	093622	10
6	480	3	36	22-1/4	TLI-360A-036	AS	093366	13-3/4	KTLI-360A-036	AS	093630	10
9	120	1	36	29-1/2	TLI-390A-036 ¹	NS	093374	16-1/8	KTLI-390A-036 ¹	NS	093649	12
9	240	1	36	29-1/2	TLI-390A-036	AS	093382	16-1/8	KTLI-390A-036	AS	093657	12
9	240	3	36	29-1/2	TLI-390A-036	AS	093390	16-1/8	KTLI-390A-036	AS	093665	12
9	480	1	36	29-1/2	TLI-390A-036	AS	093403	16-1/8	KTLI-390A-036	AS	093673	12
9	480	3	36	29-1/2	TLI-390A-036	AS	093411	16-1/8	KTLI-390A-036	AS	093681	12
12	240	1	48	37-3/8	TLI-312A-048 ¹	AS	093420	18-5/8	KTLI-312A-048 ¹	AS	093690	14
12	240	3	48	37-3/8	TLI-312A-048	AS	093438	18-5/8	KTLI-312A-048	AS	093702	14
12	480	1	48	37-3/8	TLI-312A-048	AS	093446	18-5/8	KTLI-312A-048	AS	093710	14
12	480	3	48	37-3/8	TLI-312A-048	AS	093454	18-5/8	KTLI-312A-048	AS	093729	14
15	240	1	48	45	TLI-315A-048 ¹	AS	093462	21-1/4	KTLI-315A-048 ¹	AS	093737	16
15	240	3	48	45	TLI-315A-048	AS	093470	21-1/4	KTLI-315A-048	AS	093745	16
15	480	1	48	45	TLI-315A-048	AS	093489	21-1/4	KTLI-315A-048	AS	093753	16
15	480	3	48	45	TLI-315A-048	AS	093497	21-1/4	KTLI-315A-048	AS	093761	16
18	240	1	48	52-1/2	TLI-318A-048 ¹	AS	093500	23-1/2	KTLI-318A-048 ¹	AS	093770	18
18	240	3	48	52-1/2	TLI-318A-048	AS	093518	23-1/2	KTLI-318A-048	AS	093788	18
18	480	1	48	52-1/2	TLI-318A-048	AS	093526	23-1/2	KTLI-318A-048	AS	093796	18
18	480	3	48	52-1/2	TLI-318A-048	AS	093534	23-1/2	KTLI-318A-048	AS	093809	18

Stock Status: S = stock AS = assembly stock NS = non-stock **Note** — Thermostat Kit Option: 0 - 100°F (AR-115 Kit, PCN 277835); 60 - 250°F (AR-2529 Kit, PCN 277819); 200 - 550°F (AR-5529 Kit, PCN 277827).

To Order—Specify model, PCN, kW, volts, phase and quantity.

1. Not UL or CSA (units exceed 48 Amps). Contact your Local Chromalox Sales office for additional circuits to comply with 48 Amp maximum.