

PTH & PTHT

Side Mount Metal Sheath Heaters

- Passivated 316 Stainless Steel and Titanium Sheath Elements
- 1 - 9 kW
- 20 - 35 W/In²
- 120, 240 and 480 Volt, Single Phase
- Moisture Resistant Terminal Enclosure

Features

Heavy Duty, Non-Fragile and will not break due to thermal shock.

Flat Profile consumes little tank work area space, is easily removed for cleaning or for use in another tank.

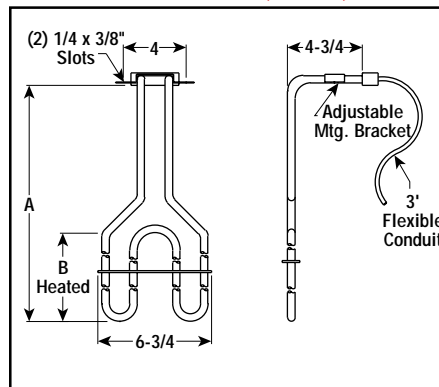
Spacer Bar prevents element from touching the tank wall.

Long Life Construction — Compacted magnesium oxide construction with passivated type 316 stainless steel or Titanium sheath provides longer life than the large diameter probe type heaters.

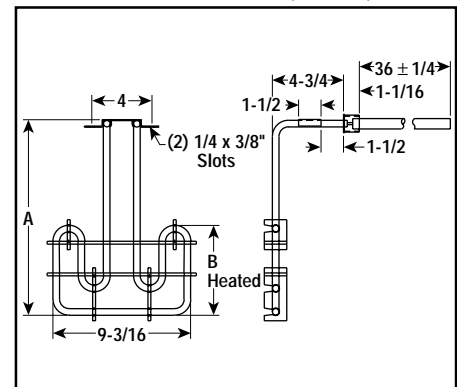
Vapor-Tight Terminal Enclosure and 3-foot long flexible conduit containing two power leads and a ground wire.



PTH — Dimensions (Inches)



PTHT — Dimensions (Inches)



Specifications and Ordering Information

kW	Volts	W/In ²	Phase	Dimensions (In.)		Model	Stock	PCN	Wt. (Lbs.)
				A	B				
PTH — Passivated 316 Stainless Steel									
1	120	21	1	14	8	PTH-101	S	326043	4
1	240	21	1	14	8	PTH-102	S	326051	4
2	240	31	1	21	11	PTH-202	S	326060	4
2	480	31	1	21	11	PTH-204	S	326078	4
3	240	32	1	26	16	PTH-302	S	326086	5
3	480	32	1	26	16	PTH-304	S	326094	5
4	240	34	1	30	20	PTH-402	S	326107	5
4	480	34	1	30	20	PTH-404	S	326115	5
6	240	34	1	40	30	PTH-602	S	326123	6
6	480	34	1	40	30	PTH-604	S	326131	6
9	240	34	1	54	44	PTH-902	S	326140	8
9	480	34	1	54	44	PTH-904	S	326158	8
PTHT — Titanium									
1	120	20	1	13	6	PTHT-101	S	098976	4
1	240	20	1	13	6	PTHT-102	S	098984	4
2	240	30	1	21	12	PTHT-202	S	098992	4
2	480	30	1	21	12	PTHT-204	S	099004	4
3	240	30	1	26	17	PTHT-302	S	099012	5
3	480	30	1	26	17	PTHT-304	S	099020	5
4	240	35	1	31	22	PTHT-402	S	099039	5
4	480	35	1	31	22	PTHT-404	S	099047	5
6	240	35	1	42	33	PTHT-602	S	099055	6
6	480	35	1	42	33	PTHT-604	S	099063	6
8	240	35	1	53	44	PTHT-802	S	099071	8
8	480	35	1	53	44	PTHT-804	S	099080	8

Stock Status: S = stock AS = assembly stock NS = non-stock
To Order—Specify model, PCN, kW, volts, phase and quantity.

Notes —

- A. Liquid level should be above B dimension.
- B. Also available in other sheath materials and electrical ratings. Contact your Local Chromalox Sales office.
- C. If used in solutions that develop a scale on the sheath, periodic cleaning is required.