

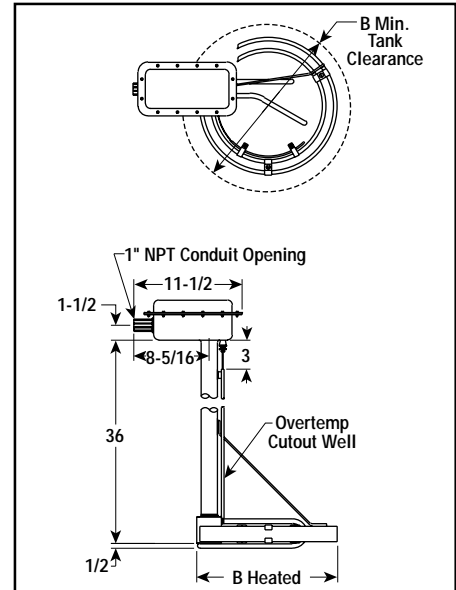
KBLC & KBL S

Drum Heaters

- Steel and Stainless Steel Sheath Elements
- 11 W/in²
- 2.2 and 4.4 kW
- 240 Volt, Single Phase
- Moisture Resistant Terminal Enclosure



Dimensions (Inches)



Features

- 36" Riser (unheated section)
- With and Without Integral Control
0 - 100, 60 - 250 or 200 - 550°F
- Moisture Resistant Terminal Enclosure

Applications

- Melting Wax
- Melting Lard
- Melting Grease
- Melting Other Heat Sensitive Materials

Specifications and Ordering Information

kW	Volts	W/in ²	DIM B (In.)	AR Stat Range (°F)	Model	Stock	PCN	Wt. (Lbs.)
KBLC — Steel Sheath and Riser								
2.2	240	11	12-3/4	—	KBLC-24	NS	195637	14
2.2	240	11	12-3/4	60 - 250	KBLC-24T2	NS	256196	14
2.2	240	11	12-3/4	200 - 550	KBLC-24T3	NS	195653	14
4.4	240	11	17-3/4	—	KBLC-28	NS	195741	18
4.4	240	11	17-3/4	60 - 250	KBLC-28T2	S	256209	18
4.4	240	11	17-3/4	200 - 550	KBLC-28T3	S	256217	18
KBLS — Stainless Steel Sheath and Riser								
2.2	240	11	12-3/4	—	KBLS-244	NS	195776	14
2.2	240	11	12-3/4	0 - 100	KBLS-244T1	NS	183564	14
2.2	240	11	12-3/4	60 - 250	KBLS-244T2	NS	256858	14
2.2	240	11	12-3/4	200 - 550	KBLS-244T3	NS	195792	14
4.4	240	11	17-3/4	—	KBLS-288	NS	195880	18
4.4	240	11	17-3/4	0 - 100	KBLS-288T1	NS	183556	18
4.4	240	11	17-3/4	60 - 250	KBLS-288T2	S	256225	18
4.4	240	11	17-3/4	200 - 550	KBLS-288T3	NS	195899	18
Stock Status: S = stock AS = assembly stock NS = non-stock To Order— Specify model, PCN, kW, volts and quantity.								