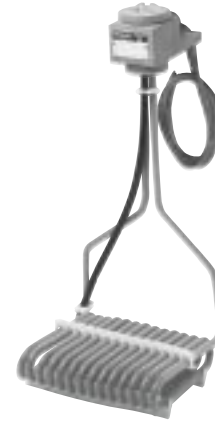


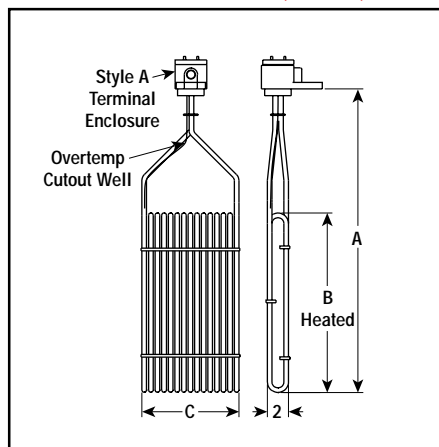
GTFN & GTFNL

Fluoropolymer Covered Heaters

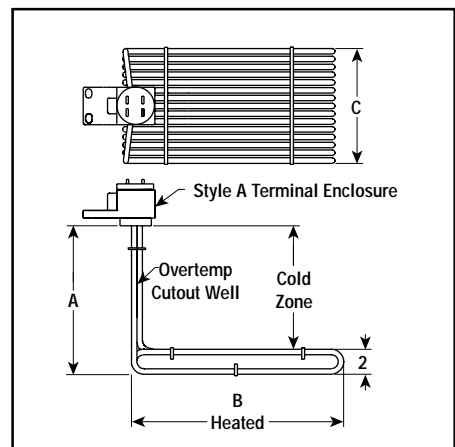
- GTFN — Side Mount
- GTFNL — L-Shaped
- Fluoropolymer Covered Stainless Steel Elements
- 10 W/In²
- 1- 6 kW
- 120, 240 and 480 Volt, Single Phase
- Moisture Resistant Terminal Enclosure



GTFN — Dimensions (Inches)



GTFNL — Dimensions (Inches)



Features

- Moisture Resistant Terminal Enclosure
- Side Mounted Vertical Construction with Mounting Bracket (GTFN only)
- Side Mounted Horizontal Heater L-Shaped Construction (GTFNL only)
- Overtemperature Protection one time use thermal fuse (260°F), field replaceable
- Polypropylene Guard, order separately
- Optional Riser Heights available (GTFNL only)

Specifications and Ordering Information

kW	Volts	W/In ²	Phase	Dimensions (In.)			Fluoropolymer			Wt. (Lbs.)	Guard ¹ PCN
				A	B	C	Model	Stock	PCN		
GTFN — Side Mount											
1	120	10	1	14	8	4	GTFN-11	S	053452	8	053575
1	240	10	1	14	8	4	GTFN-12	S	053460	8	053575
2	240	10	1	17	8	6	GTFN-22	S	053479	9	053583
2	480	10	1	17	8	6	GTFN-24	S	053487	9	053583
3	240	10	1	23	9	8	GTFN-32	S	053495	13	053591
3	480	10	1	23	9	8	GTFN-34	S	053508	13	053591
4	240	10	1	29	11	8	GTFN-42	S	053516	16	053604
4	480	10	1	29	11	8	GTFN-44	S	053524	16	053604
5	240	10	1	35	12	10	GTFN-52	NS	053532	18	053612
5	480	10	1	35	12	10	GTFN-54	NS	053540	18	053612
6	240	10	1	40	13	11	GTFN-62	NS	053559	21	053620
6	480	10	1	40	13	11	GTFN-64	NS	053567	21	053620
GTFNL — L-Shaped											
1	120	10	1	12	8	4	GTFNL-11	S	053938	6	054050
1	240	10	1	12	8	4	GTFNL-12	S	053946	6	054050
2	240	10	1	18	8	6	GTFNL-22	S	053954	8	054068
2	480	10	1	18	8	6	GTFNL-24	S	053962	8	054068
3	240	10	1	18	9	7	GTFNL-32	S	053970	12	054076
3	480	10	1	18	9	7	GTFNL-34	S	053989	12	054076
4	240	10	1	18	11	8	GTFNL-42	S	053997	15	054084
4	480	10	1	18	11	8	GTFNL-44	S	054009	15	054084
5	240	10	1	18	12	9	GTFNL-52	S	054017	19	054092
5	480	10	1	18	12	9	GTFNL-54	S	054025	19	054092
6	240	10	1	18	13	10	GTFNL-62	S	054033	23	054105
6	480	10	1	18	13	10	GTFNL-64	S	054041	23	054105

Stock Status: S = stock AS = assembly stock NS = non-stock
To Order—Specify model, PCN, kW, volts, phase and quantity.

1. Guard (not shown). Order separately by PCN. Guard adds approximately 1/2" to overall heater dimensions.