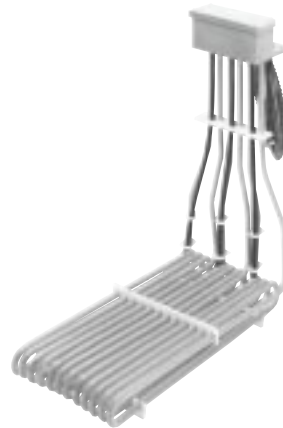


GTFL3

L-Shaped Fluoropolymer Covered Heater

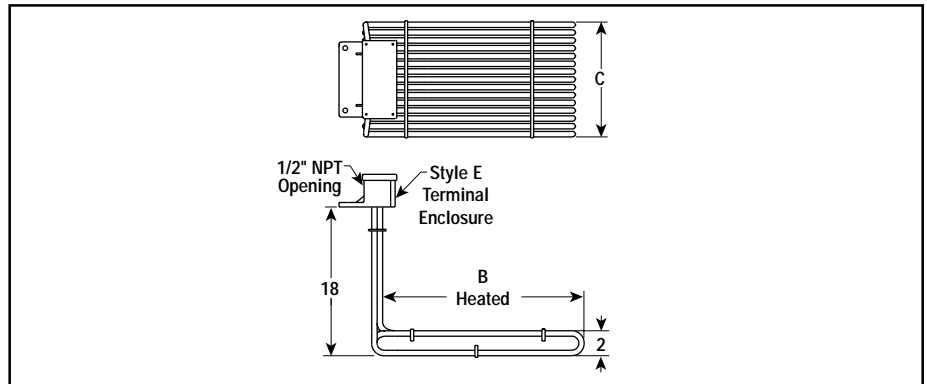


- Fluoropolymer Covered Stainless Steel Elements
- 10 W/in²
- 3 - 18 kW
- 240 and 480 Volt, Three Phase
- Moisture Resistant Terminal Enclosure



Over-the-Side

Dimensions (Inches)



Features

- Moisture Resistant Terminal Enclosure
- Bottom Mounted L-Shaped Construction
- Overtemperature Protection one time use thermal fuse (260°F), field replaceable
- Polypropylene Guard, order separately
- Optional Riser Heights available

Specifications and Ordering Information

kW	Volts	W/in ²	Phase	Dimensions (In.)		Fluoropolymer			Wt. (Lbs.)	Guard ¹ PCN
				B	C	Model	Stock	PCN		
3	240	10	3	13	7	GTFL3-32	NS	054172	20	054295
	480	10	3	13	7	GTFL3-34	NS	054180	20	054295
6	240	10	3	19	10	GTFL3-62	NS	054199	22	054308
	480	10	3	19	10	GTFL3-64	NS	054201	22	054308
9	240	10	3	23	12	GTFL3-92	NS	054210	36	054316
	480	10	3	23	12	GTFL3-94	NS	054228	36	054316
12	240	10	3	30	12	GTFL3-122	NS	054236	42	054324
	480	10	3	30	12	GTFL3-124	NS	054244	42	054324
15	240	10	3	37	12	GTFL3-152	NS	054252	48	054332
	480	10	3	37	12	GTFL3-154	NS	054260	48	054332
18	240	10	3	45	12	GTFL3-182	NS	054279	54	054340
	480	10	3	45	12	GTFL3-184	NS	054287	54	054340

Stock Status: S = stock AS = assembly stock NS = non-stock
To Order—Specify model, PCN, kW, volts, phase and quantity.

1. Guard (not shown). Order separately by PCN. Guard adds approximately 1/2" to overall heater dimensions.