

## CT

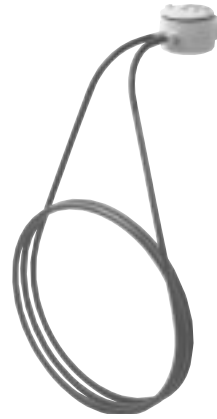
### Side Mount Metal Sheath Heater

- 304 Stainless Steel, Titanium, Steel, Copper, and Carpenter 20 Sheath Elements
- 5 - 7.5 kW
- 20 - 44 W/In<sup>2</sup>
- 240 Volt, Single Phase
- Moisture Resistant Terminal Enclosure

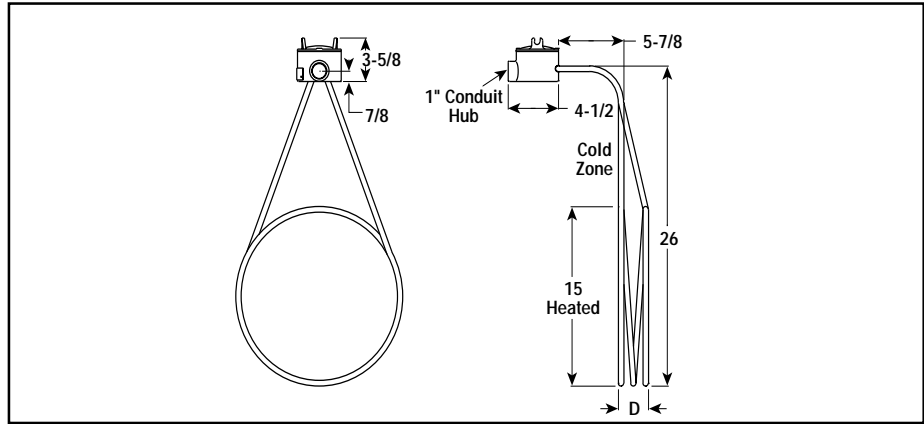
#### Features

- Choice of six different sheath materials.
- Vertical Loop configuration with low profile for maximum conservation of tank space.
- Medium to high watt density.

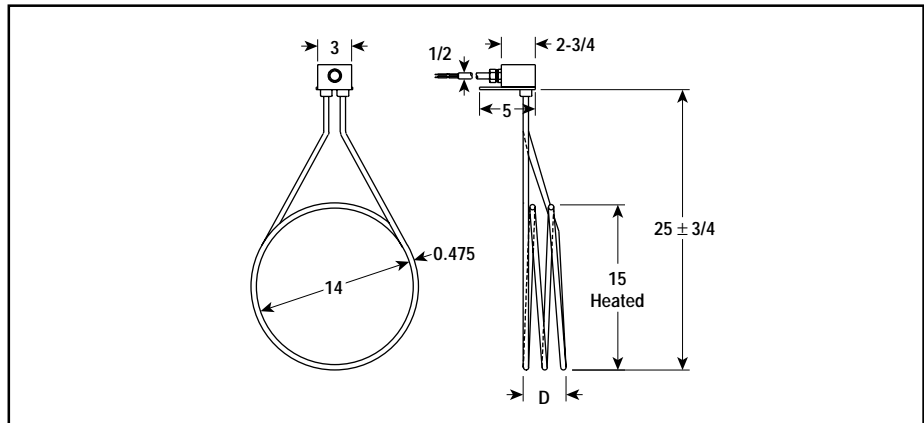
Vapor-Tight Cast Alloy Terminal Enclosure on all except type CTT. Type CTT has special plastic covered terminal enclosure and 3-foot lead wire (two conductors and a ground wire) inside a liquid-tight flexible conduit with removable lid.



**Dimensions (Inches) — CTS, CTC, CTSS, CTAC**



**Dimensions (Inches) — CTT**



#### Specifications and Ordering Information

kW	Volts	W/In <sup>2</sup>	Phase	DIM D (In.)	Sheath Material	Model	Stock	PCN	Wt. (Lbs.)
5	240	25	1	2	Steel	<b>CTS-50</b>	<b>S</b>	<b>195901</b>	20
7.5	240	40	1	2	Steel	<b>CTS-75</b>	<b>S</b>	<b>195910</b>	20
5	240	25	1	2	Copper	<b>CTC-50</b>	NS	195928	20
7.5	240	40	1	2	Copper	<b>CTC-75</b>	<b>S</b>	<b>195936</b>	20
5	240	25	1	2-3/4	304SS	<b>CTSS-50</b>	<b>S</b>	<b>195944</b>	20
7.5	240	40	1	2-3/4	304SS	<b>CTSS-75</b>	<b>S</b>	<b>195952</b>	20
5	240	25	1	2-3/4	Carpenter 20	<b>CTAC-50</b>	<b>S</b>	<b>195995</b>	20
7.5	240	40	1	2-3/4	Carpenter 20	<b>CTAC-75</b>	<b>S</b>	<b>196007</b>	20
5	240	44	1	1-1/2	Titanium	<b>CTT-50</b>	<b>S</b>	<b>269350</b>	20
7.5	240	44	1	2-1/2	Titanium	<b>CTT-75</b>	NS	269368	20

**Stock Status:** S = stock AS = assembly stock NS = non-stock  
**To Order**—Specify model, PCN, kW, volts, phase and quantity.