

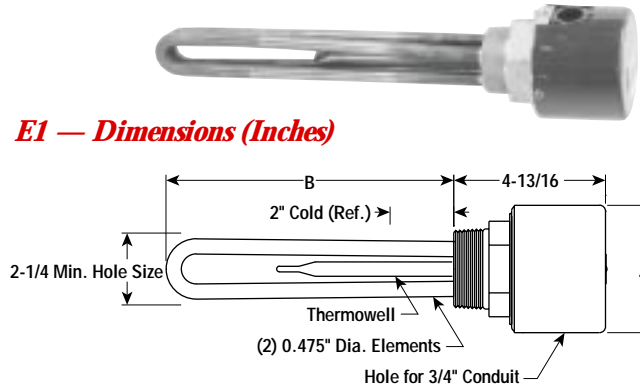
MTO-2

Medium Weight Oil Applications

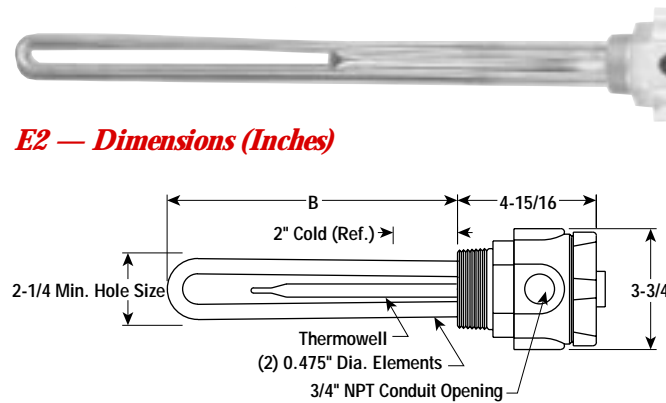


- 2" NPT Steel Screw Plug
- Steel Sheath Elements
- 15 W/In²
- 2 - 6 kW
- Without Thermostat
- 240 and 480 Volt, Single Phase
- General Purpose or Moisture Resistant/Explosion Resistant Terminal Enclosure

E1 — Dimensions (Inches)



E2 — Dimensions (Inches)



Specifications and Ordering Information

						E1 General Purpose ¹				E2 Moisture Resistant/Explosion Resistant ²			
kW	Volts	Phase	W/In ²	No. Elem.	DIM B (In.)	Model	Stock	PCN	Wt. (Lbs.)	Model	Stock	PCN	Wt. (Lbs.)
2	240	1	15	2	24-7/8	MTO-2020	AS	323766	4	MTO-2020E2	AS	323774	7
2	480	1	15	2	24-7/8	MTO-2020	AS	323782	4	MTO-2020E2	AS	323790	7
2.66	240	1	15	2	32-3/4	MTO-2026	AS	323803	6	MTO-2026E2	AS	323811	9
2.66	480	1	15	2	32-3/4	MTO-2026	AS	323820	6	MTO-2026E2	AS	323838	9
3.33	240	1	15	2	40-1/4	MTO-2033	AS	323846	7	MTO-2033E2	AS	323854	10
3.33	480	1	15	2	40-1/4	MTO-2033	AS	323862	7	MTO-2033E2	AS	323870	10
4	208	1	15	2	47-3/4	MTO-2040	AS	323889	7	MTO-2040E2	AS	323897	10
4	240	1	15	2	47-3/4	MTO-2040	AS	323900	7	MTO-2040E2	AS	323918	10
4	480	1	15	2	47-3/4	MTO-2040	AS	323926	7	MTO-2040E2	AS	323934	10
5	240	1	15	2	57-1/2	MTO-2050	AS	323942	8	MTO-2050E2	AS	323950	11
5	480	1	15	2	57-1/2	MTO-2050	AS	323969	8	MTO-2050E2	AS	323977	11
6	240	1	15	2	67-3/4	MTO-2060	AS	323985	9	MTO-2060E2	AS	323993	12
6	480	1	15	2	67-3/4	MTO-2060	AS	324005	9	MTO-2060E2	AS	324013	12

Stock Status: S = stock AS = assembly stock NS = non-stock
To Order—Specify model, volts, phase, kW, PCN and quantity.

1. Heaters with General Purpose Enclosures are UL Recognized and CSA Certified.
2. Heaters with Moisture Resistant/Explosion Resistant Enclosures are CSA NRTL/C Certified.