

Immersion

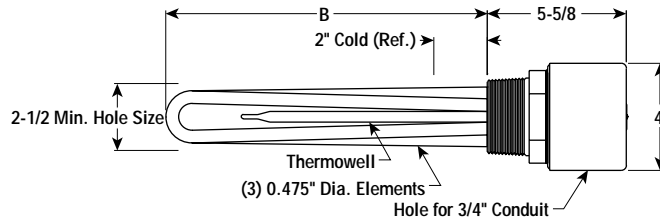
MT-3

Clean Water Applications

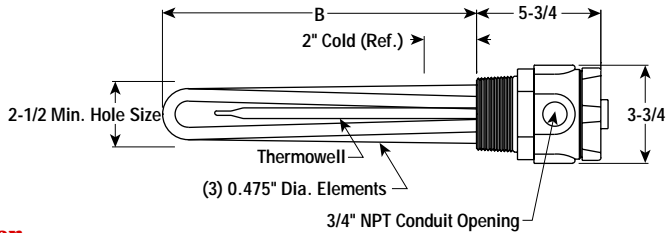
- 2-1/2" NPT Brass Screw Plug
- Copper Sheath Elements
- High Watt Density (46 - 53 W/In²)
- 3 - 18 kW
- Without Thermostat
- 120, 208 and 480 Volt, 1 and 3 Phase
- General Purpose or Moisture Resistant/Explosion Resistant Terminal Enclosure



E1 — Dimensions (Inches)



E2 — Dimensions (Inches)



Screw Plug

Specifications and Ordering Information

						E1 General Purpose ¹				E2 Moisture Resistant/Explosion Resistant ²			
kW	Volts	Phase	W/In ²	No. Elem.	DIM B (In.)	Model	Stock	PCN	Wt. (Lbs.)	Model	Stock	PCN	Wt. (Lbs.)
3	120	1	51	3	7-3/8	MT-330A	AS	191396	5	MT-330E2	AS	310800	8
3	208	1	51	3	7-3/8	MT-330A	AS	322245	5	MT-330E2	AS	322253	8
3	208	3	51	3	7-3/8	MT-330A	AS	322261	5	MT-330E2	AS	322270	8
3	240	1	51	3	7-3/8	MT-330A	AS	191409	5	MT-330E2	AS	288809	8
3	240	3	51	3	7-3/8	MT-330A	S	191433	5	MT-330E2	AS	288817	8
3	480	1	51	3	7-3/8	MT-330A	AS	191417	5	MT-330E2	AS	310818	8
3	480	3	51	3	7-3/8	MT-330A	S	191441	5	MT-330E2	AS	322288	8
3.75	120	1	52	3	8-7/8	MT-337A	AS	191450	6	MT-337E2	AS	310826	9
3.75	208	1	52	3	8-7/8	MT-337A	AS	322296	6	MT-337E2	AS	322309	9
3.75	208	3	52	3	8-7/8	MT-337A	AS	322317	6	MT-337E2	AS	322325	9
3.75	240	1	52	3	8-7/8	MT-337A	AS	191468	6	MT-337E2	AS	288825	9
3.75	240	3	52	3	8-7/8	MT-337A	AS	191492	6	MT-337E2	S	288833	9
3.75	480	1	52	3	8-7/8	MT-337A	NS	191476	6	MT-337E2	NS	310834	9
3.75	480	3	52	3	8-7/8	MT-337A	S	191505	6	MT-337E2	AS	322333	9
4.5	120	1	48	3	11-3/8	MT-345A	AS	191513	6	MT-345E2	AS	310842	9
4.5	208	1	48	3	11-3/8	MT-345A	AS	322341	6	MT-345E2	AS	322350	9
4.5	208	3	48	3	11-3/8	MT-345A	AS	322368	6	MT-345E2	AS	322376	9
4.5	240	1	48	3	11-3/8	MT-345A	S	191521	6	MT-345E2	AS	288841	9
4.5	240	3	48	3	11-3/8	MT-345A	S	191556	6	MT-345E2	AS	288850	9
4.5	480	1	48	3	11-3/8	MT-345A	AS	191530	6	MT-345E2	AS	288868	9
4.5	480	3	48	3	11-3/8	MT-345A	S	191564	6	MT-345E2	AS	288876	9
6	120	1	48	3	17-3/8	MT-360A	AS	191572	8	MT-360E2	AS	310850	11
6	208	1	48	3	17-3/8	MT-360A	AS	322384	8	MT-360E2	AS	322392	11
6	208	3	48	3	17-3/8	MT-360A	AS	322405	8	MT-360E2	AS	322413	11
6	240	1	48	3	17-3/8	MT-360A	AS	191580	8	MT-360E2	AS	288884	11
6	240	3	48	3	17-3/8	MT-360A	S	191610	8	MT-360E2	AS	288892	11
6	480	1	48	3	17-3/8	MT-360A	AS	191599	8	MT-360E2	AS	288905	11
6	480	3	48	3	17-3/8	MT-360A	S	191628	8	MT-360E2	S	288913	11
7.5	208	1	53	3	19-1/8	MT-375A	AS	322421	8	MT-375E2	AS	322430	11
7.5	208	3	53	3	19-1/8	MT-375A	AS	322448	8	MT-375E2	AS	322456	11
7.5	240	1	53	3	19-1/8	MT-375A	AS	191636	8	MT-375E2	AS	288921	11
7.5	240	3	53	3	19-1/8	MT-375A	S	191652	8	MT-375E2	AS	288930	11
7.5	480	1	53	3	19-1/8	MT-375A	AS	191644	8	MT-375E2	AS	288948	11
7.5	480	3	53	3	19-1/8	MT-375A	S	191660	8	MT-375E2	AS	288956	11
9	208	1	47	3	24-1/2	MT-390A	AS	322464	12	MT-390E2	AS	322472	15
9	208	3	47	3	24-1/2	MT-390A	AS	322480	12	MT-390E2	AS	322499	15
9	240	1	47	3	24-1/2	MT-390A	AS	191679	12	MT-390E2	AS	288964	15
9	240	3	47	3	24-1/2	MT-390A	S	191695	12	MT-390E2	AS	288972	15
9	480	1	47	3	24-1/2	MT-390A	AS	191687	12	MT-390E2	AS	288980	15
9	480	3	47	3	24-1/2	MT-390A	S	191708	12	MT-390E2	S	288999	15

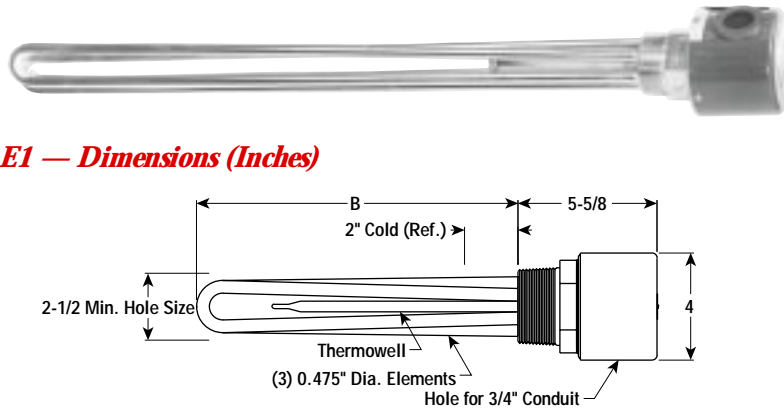
MT-3

Clean Water Applications *(cont'd.)*

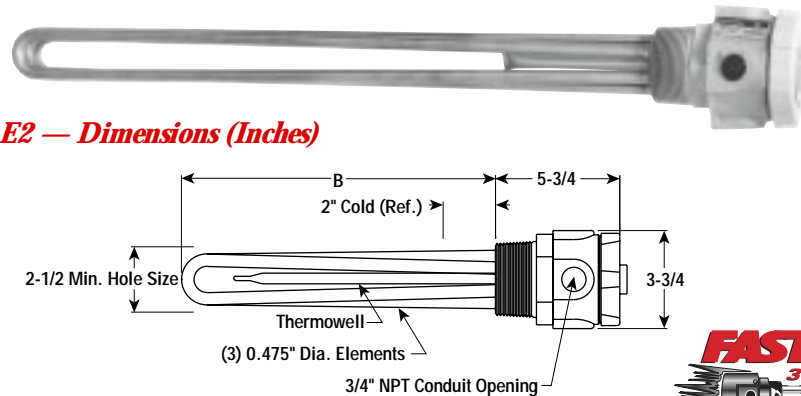
- 2-1/2" NPT Brass Screw Plug
- Copper Sheath Elements
- High Watt Density (46 - 53 W/In²)
- 3 - 18 kW
- Without Thermostat
- 120, 208 and 480 Volt, 1 and 3 Phase
- General Purpose or Moisture Resistant/Explosion Resistant Terminal Enclosure



E1 — Dimensions (Inches)



E2 — Dimensions (Inches)



Specifications and Ordering Information

						E1 General Purpose ¹				E2 Moisture Resistant/Explosion Resistant ²			
kW	Volts	Phase	W/In ²	No. Elem.	DIM B (In.)	Model	Stock	PCN	Wt. (Lbs.)	Model	Stock	PCN	Wt. (Lbs.)
12	208	1	46	3	32-5/16	MT-3120A ³	AS	322501	13	MT-3120E2 ³	AS	322510	16
12	208	3	46	3	32-5/16	MT-3120A	AS	322528	13	MT-3120E2	AS	322536	16
12	240	1	46	3	32-5/16	MT-3120A ³	AS	322544	13	MT-3120E2 ³	AS	322552	16
12	240	3	46	3	32-5/16	MT-3120A	AS	322560	13	MT-3120E2	AS	322579	16
12	480	1	46	3	32-5/16	MT-3120A	AS	322587	13	MT-3120E2	AS	322595	16
12	480	3	46	3	32-5/16	MT-3120A	AS	322608	13	MT-3120E2	AS	322616	16
15	208	1	46	3	39-3/4	MT-3150A ³	AS	322624	14	MT-3150E2 ³	AS	322632	17
15	208	3	46	3	39-3/4	MT-3150A	AS	322640	14	MT-3150E2	AS	322659	17
15	240	1	46	3	39-3/4	MT-3150A ³	AS	322667	14	MT-3150E2 ³	AS	322675	17
15	240	3	46	3	39-3/4	MT-3150A	AS	322683	14	MT-3150E2	AS	322691	17
15	480	1	46	3	39-3/4	MT-3150A	AS	322704	14	MT-3150E2	AS	322712	17
15	480	3	46	3	39-3/4	MT-3150A	AS	322720	14	MT-3150E2	AS	322739	17
18	208	3	46	3	47-1/4	MT-3180A ³	AS	322747	15	MT-3180E2 ³	AS	322755	18
18	240	1	46	3	47-1/4	MT-3180A ³	AS	322763	15	MT-3180E2 ³	AS	322771	18
18	240	3	46	3	47-1/4	MT-3180A	AS	322780	15	MT-3180E2	AS	322798	18
18	480	1	46	3	47-1/4	MT-3180A	AS	322800	15	MT-3180E2	AS	322819	18
18	480	3	46	3	47-1/4	MT-3180A	AS	322827	15	MT-3180E2	AS	322835	18

Stock Status: S = stock AS = assembly stock NS = non-stock
To Order—Specify model, volts, phase, kW, PCN and quantity.

1. Heaters with General Purpose Enclosures are UL Listed and CSA Certified.
2. Heaters with Moisture Resistant/Explosion Resistant Enclosures are CSA NRTL/C Certified.
3. Not UL Listed, CSA Certified or CSA NRTL/C Certified (Exceeds 48 Amps).