

WTL

Wall Mounted Residential & Commercial Room Thermostat



- 24 - 30 Vac, 1A Maximum
- 40 - 80°F Temperature Range
- Beige Color
- Mounts in Standard Electrical Box
- Screw Terminals for Signal Wiring

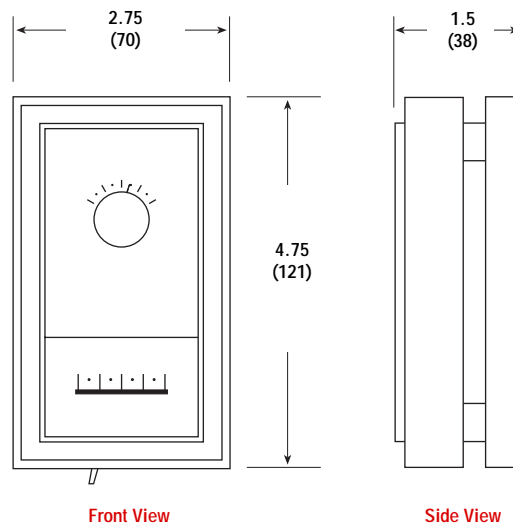


Description

The WTL-121 Room Thermostat is designed for space heaters with low voltage control circuits. Its operation is from a sealed mercury cell providing long life and protection from environmental dirt and moisture. The heating anticipator provides a narrow differential control of room temperature, 1°F.

WARNING: Hazard of Fire. The WTL thermostat is designed for temperature control service only. Because it is not fail-safe, it should not be used for temperature limiting duty.

Dimensions



All Dimensions in Inches (mm)

Specifications and Ordering Information

Model	Type	Temp. Range (°F)	Voltage Current 24-30 Vac	Stock	PCN	Wt. (Lbs.)
WTL-121	SPST Low Volt (opens on rise)	40 - 80	1A Max.	S	308005	1

Stock Status: S = stock AS = assembly stock NS = non-stock