

SBKT

Control Panel Thermostat

- Control Cabinet Temperature Control Applications
- Three Temperature Ranges
- Easy Installation

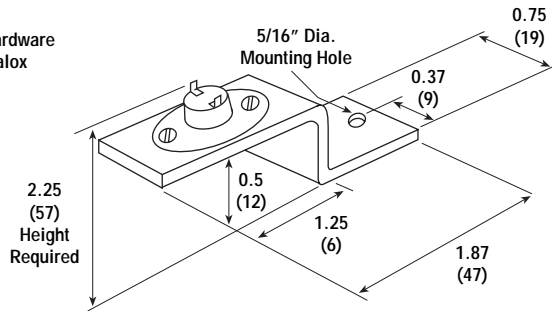
Specifications

Current Voltage Ratings (Resistive) 15A @ 120V
 10.5A @ 240V
 9.3A @ 277V

Ambient Temperature 350°F Max

Dimensions

Note: Leads and mounting hardware provided to mount on Chromalox Strip Heaters



All Dimensions in Inches (mm)

Description

The SBKT Thermostat is designed for control of temperature in instrument control cabinets. The thermostat assembly consists of a Therm-

O-Disk™ Model 36TX11 Thermostat (5/8" disk) mounted on an oval bracket. The thermostat has tabs for wiring terminals.

Ordering Information

Model	Opens	Closes	Stock	PCN
SBKT-1	53°F	38°F	S	386011
SBKT-2	75°F	60°F	S	386020
SBKT-3	120°F	106°F	S	386038

Stock Status: S = stock AS = assembly stock NS = non-stock

Protective Wells & Compression Fittings

- Protects Thermostat Sensors in Suitable Corrosive Applications
- Seals Sensor Inserted Through a Tank, Pipe or Duct Wall

Applications

- Protective wells are used to enclose and protect the sensing device from some physical damage and corrosive liquids.
- Compression fittings are used for sealing the aperture required for the sensor to penetrate the wall of pipe, tank or duct.

Ordering Information — Protective Wells

Well Material	Dimensions (In.)			Model	Stock	PCN	Wt. (Lbs.)
	O.D.	L	I.D.				
For AR, BCT and 400 Series Thermostats							
Steel	1/2	12	0.43	CPWS-12	S	265981	1
Steel	1/2	24	0.43	CPWS-24	S	265990	1
Steel	1/2	36	0.43	CPWS-36	S	266001	1
MONEL®	1/2	12	0.43	CPWM-12	S	266044	1
SST	1/2	12	0.43	CPWSS-12	S	266010	1
SST	1/2	24	0.43	CPWSS-24	S	266028	1
SST	1/2	36	0.43	CPWSS-36	S	266036	1
Lead	5/8	12	0.5	CPWL-12	NS	265957	2
Lead	5/8	24	0.5	CPWL-24	S	265965	2
Lead	5/8	36	0.5	CPWL-36	NS	265973	2
Quartz	1/2	18	0.375	CPWQ-18	NS	269958	1

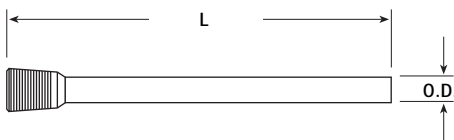
Stock Status: S = stock AS = assembly stock NS = non-stock

Compression Fittings

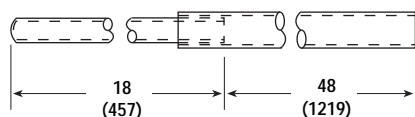
Use With	Material	NPT Size	Model	Stock	PCN	Wt. (Lbs.)
AR, BCT & 400 Series	Nickel plated brass	3/8-18	CCF-25A	S	266335	0.1
AR, BCT & 400 Series	300 Series SST	3/8-18	CCF-25D	S	266351	0.1
AR, BCT & 400 Series	300 Series SST	1/2-14	CCF-25E	S	266360	0.1
MF Series	Steel	3/4	ST-105-3/4	S	140302	0.1
MF Series	SST	3/4	SST-105-3/4	S	140310	0.1

Stock Status: S = stock AS = assembly stock NS = non-stock

Steel, MONEL®, Stainless or Lead 3/8-18 x 1/2-14 NPT



Quartz, 1/2 O.D., 3/8 I.D., 200°F Max. Temp.



Quartz Tube

Flexible Plastic Tube