

## PIT

### Non-Indicating Temperature Controllers

- Compact Size
- Explosion Resistant and Raintight Applications
- 0 - 150°F and 100 - 250°F Temperature Range
- Single Phase, 120 - 277 Vac
- Bulb & Capillary

#### *PIT* *(Rain Tight)*



#### *PIT-EP* *(Explosion-Resistant)*



#### *Applications*

For a variety of process applications requiring rain-tight or explosion-resistant enclosure, PIT controllers may be used in pipe tracing and snow melting applications with electric heating cable.

Groups E, F and G applications. External adjusting knob and tin-plated copper bulb and capillary.

#### *Features*

- Opens or closes a circuit on temperature rise.
- Single pole, double throw (SPDT) snap action switch.
- Rain-tight gasketed enclosure, Type PIT, is 0.062" steel. Simple mounting on three rubber-cushioned feet. Has adjustable high limit stop. Plain copper bulb and capillary.
- Capillary Length 10 ft 1/16" Dia.
- Explosion-proof cast aluminum housing approved for Class I, Group D & Class II,

#### *Ampere Ratings*

For control applications involving pump, fan or other motors.

Voltages (AC only)	120	208	240
Full Load Amps	16	9.2	8
Locked Rotor Amps	96	55.2	48

**WARNING: Hazard of Fire.** These controls function as temperature controls only. Because they do not fail-safe, an approved temperature and/or pressure safety control must be used for safe operation.

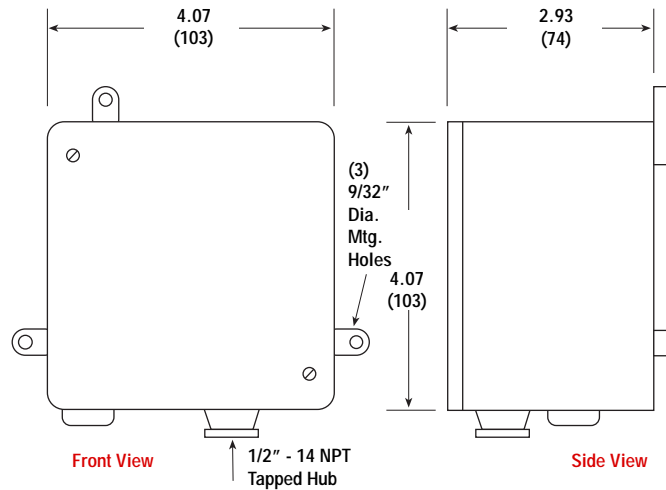
# Controls

## PIT

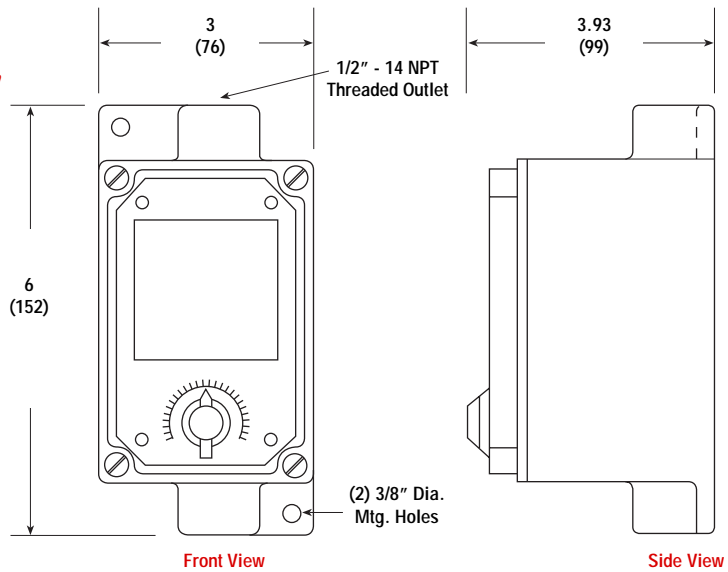
### Non-Indicating Temperature Controllers (cont'd.)

#### Dimensions

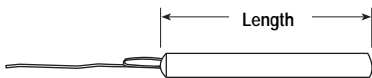
#### PIT (Rain-Tight)



#### PIT-EP (Explosion Resistant)

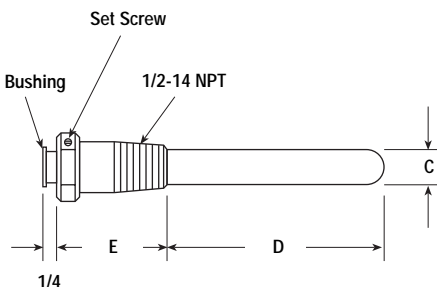


#### Sensing Bulbs for PIT and PIT-EP



All Dimensions in Inches (mm)

#### Protective Wells



#### Ordering Information — PIT Rain-Tight and Explosion-Proof

Temp. Range (°F)	Amp. 120-277V	Bulb Dimensions (In.)		Nominal Diff. (°F)	Model	Stock	PCN	Wt. (Lbs.)
		Diameter	Lgth.					
<b>Rain-Tight Gasketed Enclosure</b>								
0 - 150	22	0.290	2-1/2	6	PIT-15	<b>S</b>	140610	2.5
100 - 250	22	0.290	2-1/2	6	PIT-25	<b>S</b>	140628	2.5
<b>Explosion-Proof Enclosure<sup>1</sup></b>								
0 - 150	22	0.290	2-1/2	6	PIT-15EP	<b>S</b>	140943	2.5
100 - 250	22	0.290	2-1/2	6	PIT-25EP	<b>S</b>	140951	2.5

**Stock Status:** S = stock AS = assembly stock NS = non-stock

1. PIT-EP's are UL listed for use in Class I, Group D and Class II, Groups E, F and G Hazardous Locations.

#### Other Notes —

- A. Capillary length is 10' with 1/16" Dia.
- B. See ordering information table above for Bulb and Capillary dimensions.
- C. Pilot duty rating, 125 VA for 120 - 277 Vac.

#### PIT Protective Wells

Well Material	Dimensions (In.)				Model	Stock	PCN	Wt. (Lbs.)
	C	D	E	I.D.				
Copper	3/8	2-3/8	3 5/6	0.290 <sup>1</sup>	CPWC-1	<b>S</b>	269624	0.5
Copper	7/16	2-13/16	1-13/16	0.366 <sup>1</sup>	CPWC-2	<b>S</b>	269632	0.5

**Stock Status:** S = stock AS = assembly stock NS = non-stock