



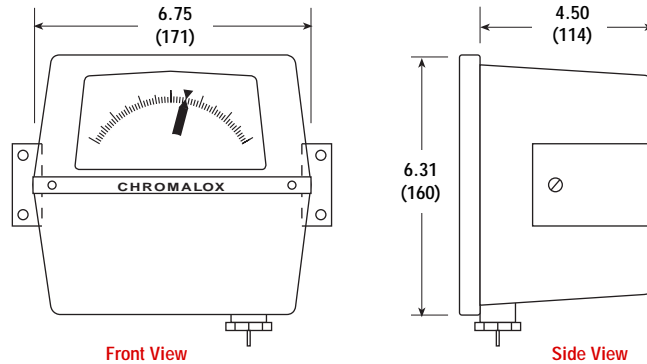
## MF

### Indicating Temperature Controller

- Indicating with Calibrated Dial
- -30 to +1100°F Temperature Range
- Temperature Control of Any Electrically Heated or Cooled Solids, Liquids or Gases
- Stainless Steel Bulb
- Sturdy Die-Cast Aluminum Housing
- Mercury-Filled Thermal Sensor
- UL Listed



#### Dimensions



#### Features

- Mounting can be flush or surface on two angle brackets provided.
- Snap-action switches. 3-wire single pole, double-throw (SPDT). Current ratings: 4 Amps, 120 Vac; 2 Amps, 240 Vac.
- Accurate to  $\pm 1\%$  of scale range.
- Pilot Duty Rating 50 VA for 120 - 240 Vac
- Packing glands for sealing capillary connection to oven, tank, pipe or other application are available as optional accessories. Specify at time of order.

**WARNING: Hazard of Fire.** These controls function as temperature controls only. Because they do not fail-safe, an approved temperature and/or pressure safety control must be used for safe operation.

**All Dimensions in Inches (mm)  
See table below for Bulb Dimensions**

#### Ordering Information

| Temp. Range (°F)         | Bulb Dimensions (In.) |          | Bib. Mtl. | Cap. Lgth. (Ft.) | Indicating Type MF |          |        |            |
|--------------------------|-----------------------|----------|-----------|------------------|--------------------|----------|--------|------------|
|                          | Dia.                  | Lgth.    |           |                  | Model              | Stock    | PCN    | Wt. (Lbs.) |
| -30 to +170 <sup>1</sup> | 3/8                   | 14-3/8   | SST       | 5                | MF7-094-52-05-20   | NS       | 226026 | 7          |
| -30 to +170 <sup>1</sup> | 3/16                  | 72       | SST       | 5                | MF7-094-52-05-16   | NS       | 226042 | 7          |
| 50-250 <sup>2</sup>      | 3/8                   | 14-11/16 | SST       | 5                | MF7-101-51-05-20   | <b>S</b> | 140687 | 7          |
| 50-250 <sup>2</sup>      | 3/8                   | 14-11/16 | SST       | 10               | MF7-101-51-10-20   | NS       | 226077 | 7          |
| 50-250 <sup>2</sup>      | 3/16                  | 74       | SST       | 5                | MF7-101-51-05-16   | NS       | 226106 | 7          |
| 50-250 <sup>2</sup>      | 3/16                  | 74       | SST       | 10               | MF7-101-51-10-16   | NS       | 226114 | 7          |
| 100-350 <sup>3</sup>     | 3/8                   | 12-3/16  | SST       | 5                | MF7104-51-05-20    | NS       | 226122 | 7          |
| 100-350 <sup>3</sup>     | 3/16                  | 61       | SST       | 5                | MF7104-51-05-16    | NS       | 226149 | 7          |
| 100-650 <sup>4</sup>     | 3/8                   | 5-15/16  | SST       | 5                | MF7-109-51-05-20   | <b>S</b> | 140724 | 7          |
| 100-650 <sup>4</sup>     | 3/8                   | 5-15/16  | SST       | 10               | MF7-109-51-10-20   | NS       | 226157 | 7          |
| 100-650 <sup>4</sup>     | 3/16                  | 28       | SST       | 5                | MF7-109-51-05-16   | NS       | 226173 | 7          |
| 100-800 <sup>5</sup>     | 3/8                   | 4-27/32  | SST       | 5                | MF7-111-51-05-20   | NS       | 226202 | 7          |
| 100-800 <sup>5</sup>     | 3/8                   | 4-27/32  | SST       | 5                | MF7-111-51-10-20   | NS       | 226210 | 7          |
| 100-800 <sup>5</sup>     | 3/16                  | 22       | SST       | 5                | MF7-111-51-05-16   | NS       | 226237 | 7          |
| 100-1000 <sup>6</sup>    | 3/8                   | 3-15/16  | SST       | 5                | MF7-113-51-05-20   | <b>S</b> | 140740 | 7          |
| 100-1000 <sup>6</sup>    | 3/8                   | 3-15/16  | SST       | 10               | MF7-113-51-10-20   | NS       | 226253 | 7          |
| 100-1000 <sup>6</sup>    | 3/16                  | 18       | SST       | 5                | MF7-113-51-05-16   | NS       | 226261 | 7          |
| 100-1100 <sup>7</sup>    | 3/8                   | 3-5/8    | SST       | 5                | MF7-115-51-05-20   | NS       | 226270 | 7          |
| 100-1100 <sup>7</sup>    | 3/16                  | 16       | SST       | 5                | MF7-115-51-05-16   | NS       | 226288 | 7          |

**Stock Status:** S = stock AS = assembly stock NS = non-stock

**°C Temperature Ranges:**

|                 |               |               |               |
|-----------------|---------------|---------------|---------------|
| 1. -30 to +75°C | 3. 40 - 175°C | 5. 40 - 425°C | 7. 40 - 600°C |
| 2. 10 - 120°C   | 4. 40 - 340°C | 6. 40 - 540°C |               |

Electromechanical & Thermostats