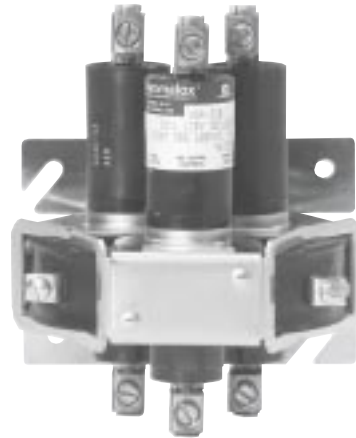


HGR Magnetic Contactors

- Mercury Displacement Type
- Quiet Operation
- Hermetically Sealed Mercury Contacts
- 2 or 3-Pole, 35 - 120 Amps
- Open Type or NEMA 1 Enclosure

HGR Open Type (no Enclosure)




without
Enclosure



Description

The HGR Mercury Displacement contactor withstands rapid cycling of up to thirty times a minute because there is only one frictionless, moving part—a ferromagnetic plunger that floats on the mercury pool. When the relay coil is energized this plunger is pulled into the mercury pool causing the mercury level to rise. The rising mercury then contacts a secondary mercury pool, or directly contacts the center electrode.

Features

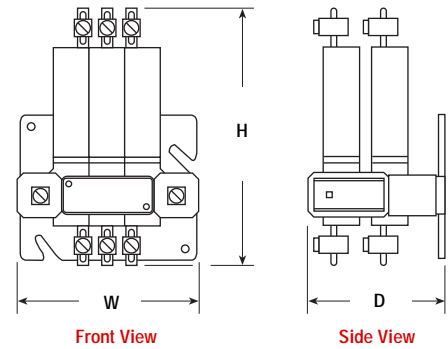
- Superior arc-quenching takes place within hermetically sealed steel body, making relays impervious to dirt, dust, moisture, and chemical vapors. Arcing is confined within a sealed arc-quenching gas atmosphere that dissipates heat and extends relay life.
- Operational and maintenance costs are reduced because there are no springs or button contacts to wear out, pit, or burn. Because of simplified construction of the contact tube and coil termination, installation and service are routine operations that can be handled by an electrician without sophisticated equipment.
- Compact size allows space savings for panel-mounted applications.
- Low, predictable contact resistance and reduced RFI improve the interface capability with electronic control devices.

HGR

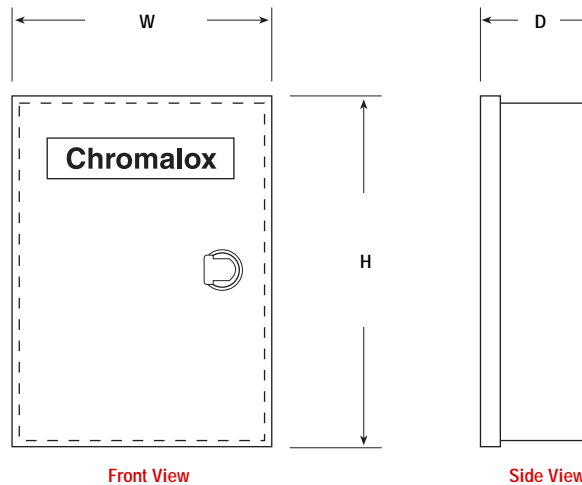
Magnetic Contactors (cont'd.)

Open Type (no Enclosure) (In.)

	H	W	D
HGR-235	4-11/16	4	2-5/8
HGR-335	4-11/16	4	3-5/8
HGR-350	4-11/16	4	3-5/8
HGR-360	5-1/2	4	3-3/4
HGR-380	5-3/4	5-3/4	5
HGR-3100	5-3/4	5-3/4	5
HGR-3150	6-1/4	5-3/4	5



Dimensions



NEMA 1 Enclosure (In.)

	H	W	D
HGR-235E1	8	6	4
HGR-335E1	8	6	4
HGR-350E1	8	6	4
HGR-360E1	8	6	4
HGR-380E1	10	8	6
HGR-3100E1	10	8	6
HGR-3150E1	10	8	6

All Dimensions in Inches

Specifications and Ordering Information

Poles	Ampere Rating Per Pole						Holding Coil ¹ VA	Open Type (without Enclosure) ²				NEMA 1 Enclosure			
	120V	208V	240V	277V	480V	600V		Model	Stock	PCN	Wt. (Lbs.)	Model	Stock	PCN	Wt. (Lbs.)
2	35	35	35	35	35	35	13.2	HGR-235	S	240100	2	HGR-235E1	S	240178	6
3	35	35	35	35	35	35	27.6	HGR-335	S	240119	3	HGR-335E1	S	240186	7
3	50	50	50	50	50	50	21.0	HGR-350	S	240127	3	HGR350E1	S	240194	7
3	60	60	60	60	60	60	27.6	HGR-360	S	240135	3	HGR-360E1	S	240207	7
3	80	80	80	80	80	—	82.8	HGR-380	S	240143	6	HGR-380E1	S	240215	11
3	100	100	100	100	100	—	84.0	HGR-3100	S	240151	7	HGR-3100E1	S	240223	12
3	150	140	135	130	120	—	86.9	HGR-3150	NS	240160	7	HGR-3150E1	NS	240231	12

Stock Status: S = stock AS = assembly stock NS = non-stock

Notes —

- 120 Vac coils.
- UL Listed.