

GNIT Non-Indicating Thermostat

- For Some Corrosive Environment Applications
- 5' or 12' Teflon® Sleeved Bulb & Capillary
- Plastic, Gasketed Enclosure Resists Corrosion
- Adjustable Setpoint Dial, 30 to 220°F
- Double Pole, Single Throw Contacts
- 25 Amps, 120 - 240 Vac
- Accuracy ± 9°F

WARNING: Hazard of Fire. These devices function as temperature controls only. Because they do not fail-safe, an approved temperature and/or pressure safety control must be used for safe operation.



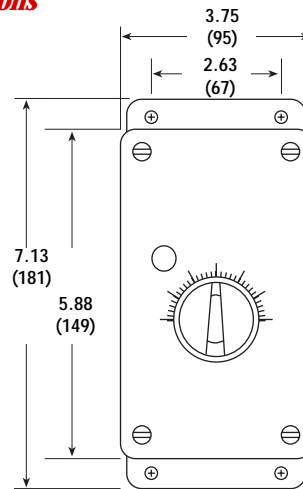
Description

The GNIT Non-Indicating Temperature Controller provides ON/OFF control of temperature ranges from 30 to 220°F for temperature regulation of aqueous solutions. The plastic, gasketed, moisture-resistant enclosure and Teflon® covered sensor and capillary make it an excellent choice for most corrosive industrial environments.

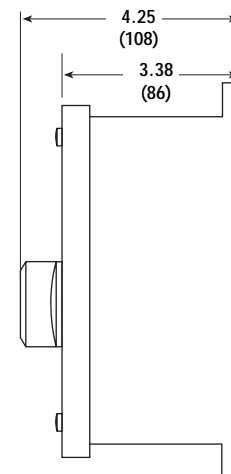
Features

- Double pole, single throw contacts open on temperature rise
- Standard PI terminal blocks included
- ± 9°F Accuracy, Full Span
- Operating Ambient 30 - 150°F

Dimensions



Front View



Side View

All Dimensions in Inches (mm)

Specifications and Ordering Information

Model	PCN	Temperature Range (°F)	Volts	Max. Amps	Sensor Length (Ft.)	Stock
GNIT-5	360946	30 - 220	120/240	25	5	S
GNIT-12	360954	30 - 220	120/240	25	12	S

Stock Status: S = stock AS = assembly stock NS = non-stock