

ARC

Non-Indicating Thermal Cutout

- 60 - 700°F Temperature Range
- Single Phase, 120 - 277 Vac
- Bulb & Capillary
- Single Pole



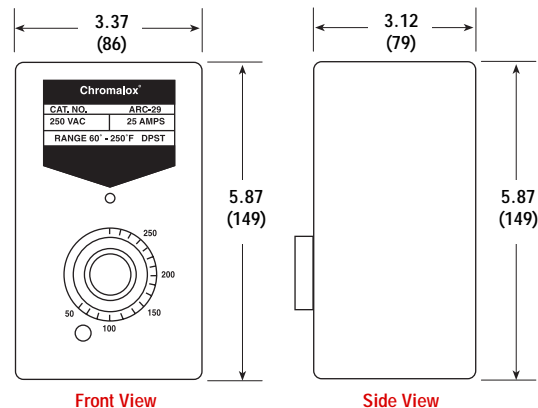
Application

When properly applied, the ARC protects against damage due to product or heater overheating by opening a circuit when a preset temperature is reached.

Features

- Manual reset button provides for manual restoration of process circuit when overheat condition is corrected.
- Neon pilot light glows when cutout is reclosed. Pilot light and knob cover are furnished.
- Sensing bulb should be placed at most critical point in system with control set from 25 to 35°F above working temperature.
- Compression fittings and protective wells are available.
- Not a fail-safe device.

Dimensions



WARNING: Hazard of Fire. These controls do not fail-safe. An approved temperature and/or pressure safety control must be used for safe operation.

Note — Refer to AR-LT and AR-EP products for bulb style and capillary configuration drawings.

**All Dimensions in Inches (mm)
See table below for Bulb Dimensions**

Ordering Information

Temp. Range (°F)	Amp. 120 ¹ -277V	Bulb Dimensions (In.)			Cap Lgth. (Ft.)	Model	Stock	PCN	Wt. (Lbs.)
		Style	Dia.	Lgth.					
60-250	30	5	3/8	4-1/4	7	ARC-215	S	278213	2.5
60-250	30	9	3/16	16	7	ARC-219	S	278221	2.5
200-550	30	5	3/8	3-1/4	7	ARC-515	S	278230	2.5
200-550	30	9	3/16	11-3/16	7	ARC-519	S	278256	2.5
300-700	30	5	3/8	3-11/16	7	ARC-715	S	299612	2.5
300-700	30	5	3/8	3-11/16	15	ARC-715D	S	288796	2.5

Stock Status: **S** = stock

1. Rating 125 VA for 125 Vac, 250 VA for 250 - 277 Vac. Not rated for 480 Vac.

Other Notes —

A. Thermowells (CPW_) and Universal Compression fitting, (CCF) for all AR thermostats, must be ordered separately. See type CCF.