

400

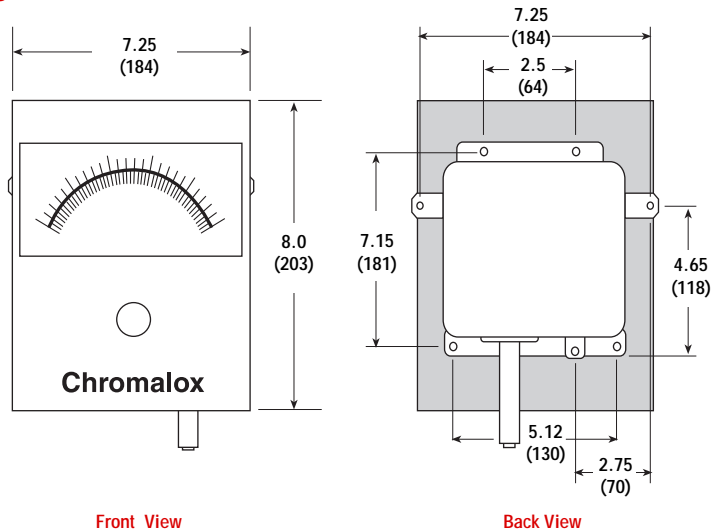
Indicating Temperature Controller



- 50 - 700°F Temperature Range
- 15 Amp, 125 and 250 Vac
- Bulb & Capillary
- 1, 2 or 3 Single Pole, Double Throw Switches
- Temperature Control of Any Electrically Heated or Cooled Solids, Liquids or Gases



Dimensions



Features

- Sturdy die-cast aluminum case conforms to NEMA Types 1, 4 and 12. Can be surface-mounted or flush-mounted in a panel.
- Complete rotation of bulb and capillary. Swivel action minimizes capillary damage.
- Disassembly. Front cover, top cover and actuator assembly can be removed without disturbing controller or wiring.
- Snap-action switches. 1, 2 or 3 single pole, double throw (SPDT).
- Large easy-to-read calibrated dial with a sensitivity of 1/2% of temperature range.
- For use in ambient temperatures between 0 and 150°F.
- Compression fittings and protective wells are available (type CFF).

WARNING: Hazard of Fire. These devices function as temperature controls only. Because they do not fail-safe, an approved temperature and/or pressure safety control must be used for safe operation.

All Dimensions in Inches (mm)
 See table below for Bulb Dimensions

Ordering Information

Temp Range (°F)	Bulb Lgth (In.)	Capillary		Model	Stock	PCN	Wt. (Lbs.)
		Matl.	Lgth (Ft.)				
Single Switch Models							
50-300 (10-150°C)	4.400	COP.	6	40-702192-300	S	269763	6
50-300 (10-150°C)	4.400	SST	6	40-702110-307	S	266300	6
50-700 (10-370°C)	1.872	COP.	6	40-702192-301	S	269771	6
50-700 (10-370°C)	1.872	SST	6	40-702110-308	S	266319	6
Dual Switch Models							
50-300 (10-150°C)	4.400	COP.	3	40-703298-300	NS	227838	6
50-300 (10-150°C)	4.400	SST	6	40-704210-306	S	293595	6
50-400 (10-200°C)	3.201	SST	6	40-704210-425	NS	227790	6
50-700 (10-370°C)	1.872	SST	6	40-703210-304	NS	227811	6
50-700 (10-370°C)	1.872	SST	6	40-704210-304	S	293608	6
Three Switch Model							
50-300 (10-150°C)	4.400	SST	6	40-703210-305	NS	227820	6
50-700 (10-370°C)	1.872	SST	6	40-703210-303	NS	227803	6

Stock Status: S = stock AS = assembly stock NS = non-stock

Notes —

- A. Bulb Diameter - 0.375"
- B. Bulb Materials - 300 Stainless Steel (SST) or Copper (COP).