

30000

Surface Mount Temperature Controller



- Fully Adjustable
- Overlapping Ranges from 50 - 600°F
- 1200 Watt Resistive Load Rating at 120 Vac/240 Vac
- Narrow Temperature Differential
- Economical
- Compact Size



Applications

- Appliances
- Vending Machines
- Platens
- Plastic Laminating Presses
- Dental Equipment
- Popcorn Machines
- Hot Stamping
- Food Warming Trays

Features

The 30000 Surface Mounting Controller operates on the principle of the differential expansion of metals. A temperature increase causes the stainless steel outer case to expand at a greater rate than the internal bridge assembly. Because the case is in direct contact with the heated surface, a temperature change is sensed almost instantaneously. With an increase in temperature, the case expands. This results in a linear change of the internal bridge assembly causing the electrical contacts to open. A decrease in temperature closes the contacts.

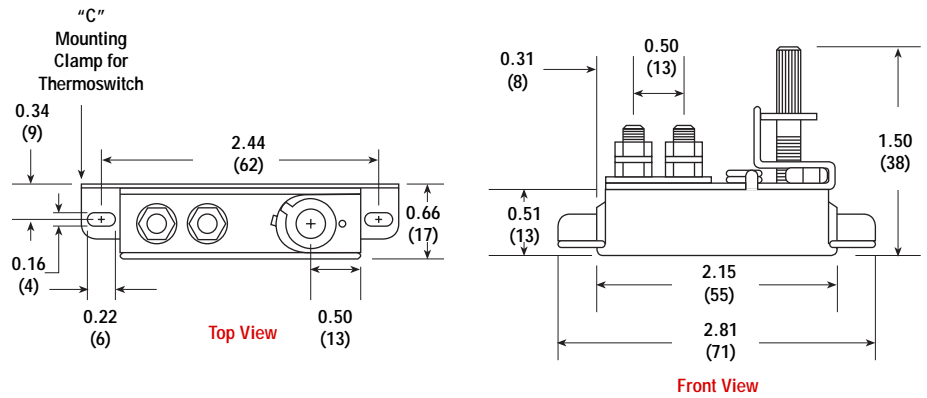
Specifications

Contact Operation on Temperature Rise	Opens
Material	Stainless Steel case and cover Aluminum bronze adjusting screw Aluminum mounting clamps
	Note: Units shipped with "C" mounting clamp
Current Rating	120 Vac, 10 Amps, 240 Vac, 5 Amps Resistive
Adjustment	30000-000 250°F per full turn 30000-048 175°F per full turn 30002-001 575°F per full turn

30000

Surface Mount Temperature Controller *(cont'd.)*

Dimensions



All Dimensions in Inches (mm)

Ordering Information

Description	Approximate Temperature Range and Factory Setting Tolerance	Contact Operation on Temp. Rise	Model	Stock	PCN
Adjustable low temperature	50-300°F ± 5F° or 3% of setting value (whichever is greater)	Opens	11-030000-000	S	305293
	85-250°F ± 5F° or 3% of setting value (whichever is greater)	Opens	11-030000-048	S	305306
Adjustable, high temperature	50-600°F ± 10F° or 3% of setting value (whichever is greater)	Opens	11-030002-000	S	305314
Stock Status: S = stock AS = assembly stock NS = non-stock					

WARNING: Hazard of Fire. These controls function as temperature controls only. Because they do not fail-safe, an approved temperature and/or pressure safety control must be used for safe operation.