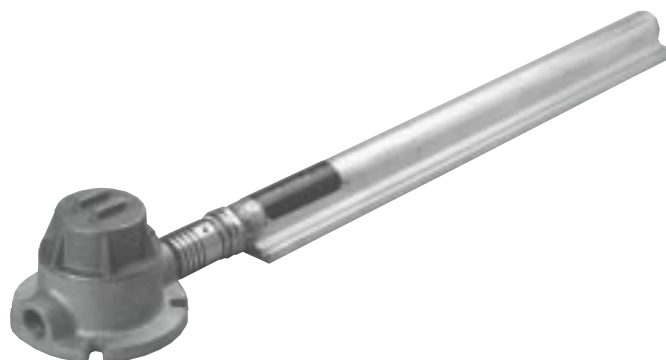




## AECH

### Explosion-Proof Strip Heater

- 30-9/16 - 127-1/16" Lengths
- 150 - 750 Watts
- 120 and 240 Volt



#### Applications

For coal, ore, resins and other bulk handling equipment.

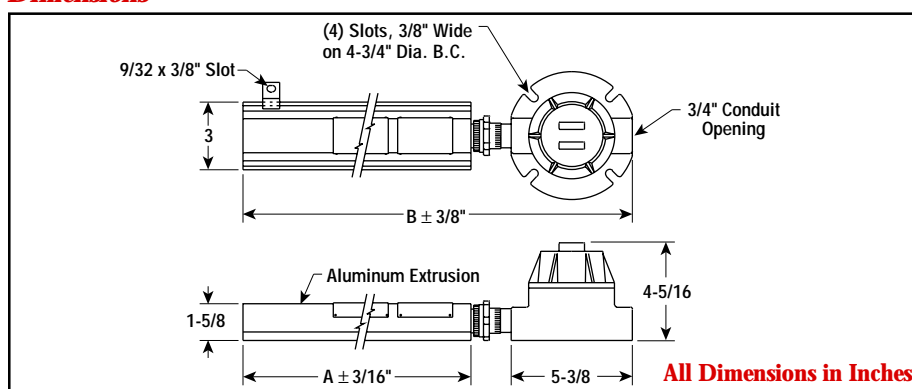
**Explosion-Proof Applications** — Coal dust and methane areas, coal mines, coal processing plants, coal storage hoppers, utilities coal-fired boilers, steel mill coke ovens, conveyors and vibrating feeders.

#### Features

**MSHA Certified** — Certified by the Mining and Safety Health Administration (MSHA) as complying with applicable parts of 30 CFR Part 18, Certification No. XP-3005-1.

**Freeze Protection** — Particularly effective when installed at the mouth of the mine where warm moist air and coal or ore are first exposed to cold outside air, causing condensation and subsequent freezing at temperatures below 32°F. Conveyor heaters prevent such freezing, keep the conveyors in uninterrupted operation.

#### Dimensions



**Easy System Start-Up** in freezing weather.

**Keeps Resins and Process Liquids Free-Flowing** regardless of ambient temperature.

**Long Life Operation** — Heaters, inserted into solid aluminum body, resist physical damage from rough handling and/or contact with process material (Patented design).

**Easy Installation** — Heater furnished with 4 foot electrical cable which meets MSHA requirements. A packet shipped with the heater includes proper threaded fitting, packing, hose clamp, metal tubing and locking wire for field wiring.

#### Specifications and Ordering Information

Dimensions (In.)				Without Cable				With Cable			
A	B	Watts	Volts	Model	Stock	PCN	Wt. (Lbs.)	Model	Stock	PCN	Wt. (Lbs.)
24	30-9/16	150	120	AECH-2475 <sup>1</sup>	S	329009	17.5	AECH-2475-C	NS	—	22.5
36	42-9/16	225	120	AECH-3675 <sup>2</sup>	S	329017	21	AECH-3675-C	NS	—	26
48	54-9/16	300	240	AECH-4875	NS	329033	24.5	AECH-4875-C	NS	—	29.5
60	66-9/16	375	240	AECH-6075	S	329025	28	AECH-6075-C	NS	—	33
72	78-9/16	450	240	AECH-7275	NS	329041	31.5	AECH-7275-C	NS	—	36.5
84	90-9/16	525	240	AECH-8475	NS	329050	35	AECH-8475-C	NS	—	40
96	102-9/16	600	240	AECH-9675	NS	329068	38.5	AECH-9675-C	NS	—	43.5
108	114-9/16	675	240	AECH-10875	NS	329076	42	AECH-10875-C	NS	—	47
120-1/2	127-1/16	750	240	AECH-12075 <sup>3</sup>	NS	329084	45.5	AECH-12075-C	NS	—	50.5

**Stock Status:** S = stock AS = assembly stock NS = non-stock  
**To Order**—Specify model, PCN, watts, volts and quantity.

1. Not available in 277 or 480V.
2. Not available in 480V.
3. Not available in 120V.

**Other Note** — All heaters are 75 W/linear ft. and are available in 120, 208, 240, 277 or 480V.