

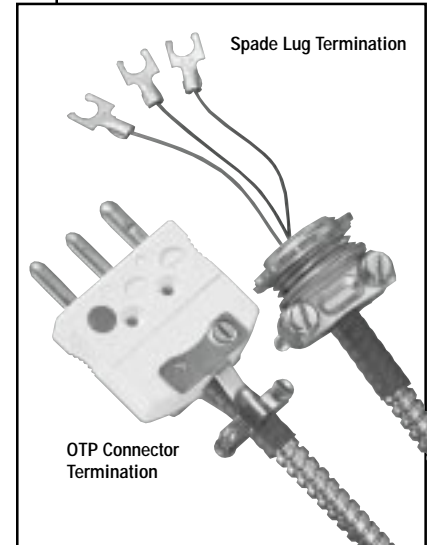
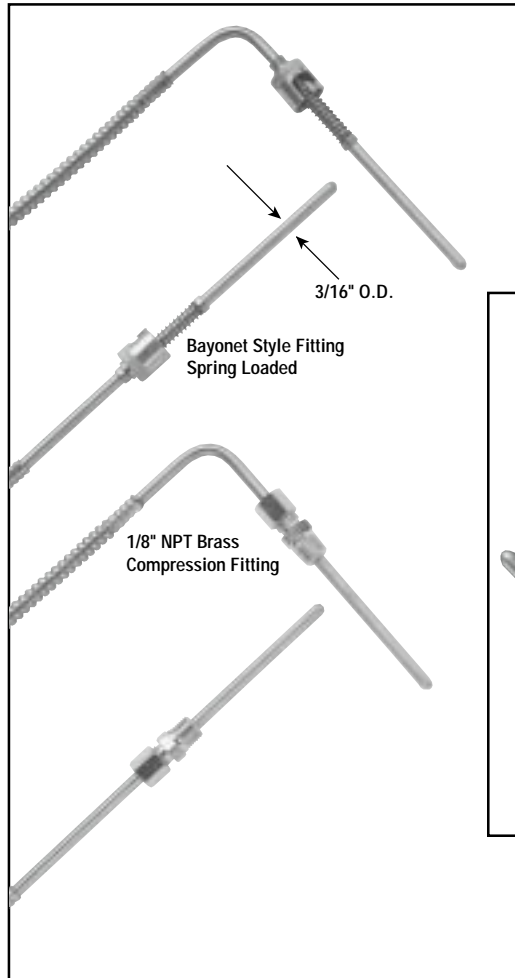
CF & BT-RTD

Extruder RTD Probes

- Compression and Bayonet Fitting Styles
- Ideal for Plastic Process Machinery
- Precision 100 Ohm Pt RTD Element
- 304 SS Construction
- 60" Flex Cable Standard
- 3/16" Diameter
- Rated to 500°F Maximum Temperature

In Stock:

Model	PCN
CF-000-RTD-2-60-1/C	327388
CF-000-RTD-4-60-1/C	327396
CF-090-RTD-2-60-1/C	327409
CF-090-RTD-4-60-1/C	327417



Specifications and Ordering Information

Model	Fitting	DIM A (In.)	Bend	Termination	Appearance
CF-000-RTD-2-60-1/C	Compression Fitting	2	Straight	Spade Lugs	<p>A = 2" B = 60"</p>
CF-000-RTD-2-60-2/C		2		OTP Connector	
CF-000-RTD-4-60-1/C		4		Spade Lugs	
CF-000-RTD-4-60-2/C		4		OTP Connector	
CF-090-RTD-2-60-1/C	1/8" NPT Brass	2	90°	Spade Lugs	<p>A = 2" B = 60"</p>
CF-090-RTD-2-60-2/C		2		OTP Connector	
CF-090-RTD-4-60-1/C		4		Spade Lugs	
CF-090-RTD-4-60-2/C		4		OTP Connector	
BT-000-RTD-2 1/4-60-1/C	Bayonet	2-1/4	Straight	Spade Lugs	<p>A = 2" B = 60"</p>
BT-000-RTD-2 1/4-60-2/C		2-1/4		OTP Connector	
BT-000-RTD-3 1/2-60-1/C		3-1/2		Spade Lugs	
BT-000-RTD-3 1/2-60-2/C		3-1/2		OTP Connector	
BT-090-RTD-2 1/4-60-1/C	Bayonet	2-1/4	90°	Spade Lugs	<p>A = 2" B = 60"</p>
BT-090-RTD-2 1/4-60-2/C		2-1/4		OTP Connector	
BT-090-RTD-3 1/2-60-1/C		3-1/2		Spade Lugs	
BT-090-RTD-3 1/2-60-2/C		3-1/2		OTP Connector	