

PSR

Solid State Relay Driver

- Converts 4-20mA Input Signal to a proportioning 3-32 Vdc Signal
- For Use with Zero-Crossover Solid State Relay (SSR)
- Mounts Directly to SSR
- Circuit Powered by 4-20mA Loop
- Compatible with Chromalox 4115 SSR



Description

The Chromalox PSR Series driver module converts a simple 3 to 32 Vdc input Solid State Relay (SSR) to a proportional Power controller. The module mounts directly to the input terminals of the solid state relay. (4115) Screw terminals are provided on the driver module for the 4-20mA control signal. The Solid State Relay's power section connects to the line and load.

The PSR module plus SSR provides a time proportional (zero-fired) control signal to the load. Thus the average power to the load is proportional to the 4-20mA input signal.

Two models are available. Use Model PSR-1 to control single phase loads. Model PSR-2 comes with an additional circuit board that enables one model to fire two SSR's. Therefore, Model PSR-2 can be used for 3-Phase, 3-Wire (delta) applications. Each unit is supplied with an operator's manual and mounting screws.

Specifications

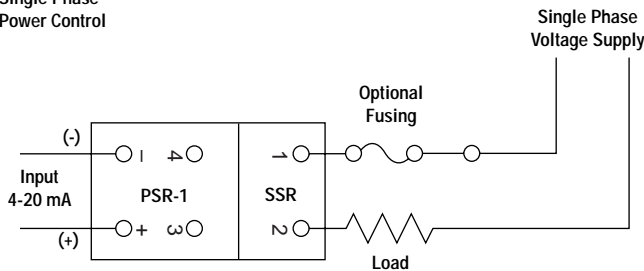
Input	4-20mA
Time Base	0.4 seconds at 50%, extends to 0.8 seconds at 20% and 80%. Infinite at 0% and 100%.
Compliance Voltage Requirement	6.3 Vdc \pm 10% for PSR-1, 315 Ω @20mA 12.6 Vdc \pm 10% for PSR-2, 630 Ω @20mA
Span and Linearity	Better than 2%
Ambient Temperature	32 to 104°C
Dimensions	
PSR-1	1-3/4"W x 1-3/8"H x 1/2"D
PSR-2	1-3/4"W x 1-7/8"H x 1-1/4"D

Ordering Information

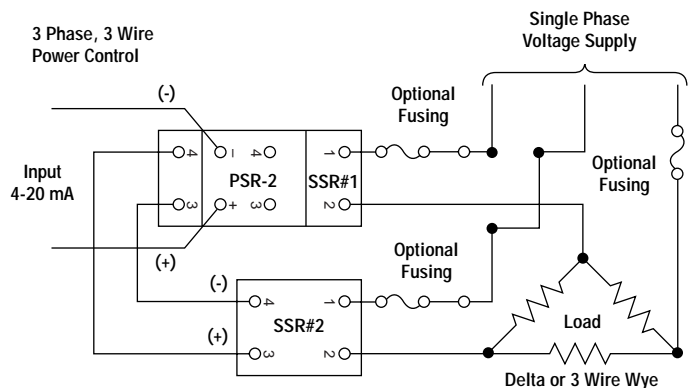
Model	Part No.	Description	PCN
PSR-1	0135-20106	Single Phase Relay Driver	307459
PSR-2	0135-20107	Three Phase Relay Driver	307467

Wiring

Single Phase Power Control



3 Phase, 3 Wire Power Control



SCR Components