

7350 & 7353 Single Phase Plug-In SCR Power Pak



- Phase-Angle Firing or Proportional Power Control
- 120-480 Vac @ 25-40 Amps
- Isolated Control Circuit
- Compact Plug-in Construction
- dV/dT Protection
- Current Output Meter
- LED-Power ON Indication
- Adjustable Zero, Gain and Manual Bias
- Single or Multiple Unit Cases

Description

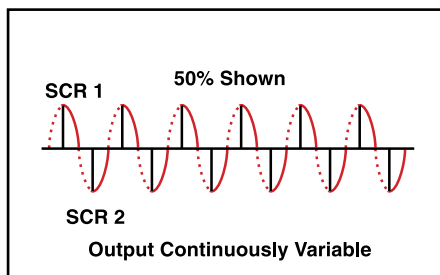
The 7350 and 7353 are Single Phase Solid State Plug-in SCR Power Controllers. The 7350 is Phase-Angle Firing with current limit and soft start for a wide range of inductive or resistive loads. The 7353 is Proportional Power Control (Zero Voltage Switching, DOT fire) that virtually eliminates Radio Frequency Interference (RFI) for a wide range of resistive loads.

Both units offer full range manual control and will accept any standard process signal input. A built-in current meter displays the actual output current to the load. The paks are compact, plug-in units with mounting cases available for single through eight units. These units are available in 25-40 amperes with operating voltages of 120, 208, 240, 277 and 480 Vac (50-60 Hz).

Electrical Features

- SCRs PIV 1200V minimum
- Isolated Semiconductor Power Blocks are used on all Current Ratings

Wave Form Cycle Rate



Phase-Angle Firing

Mechanical Features

- Power "ON" LED Indication
- Electrical Control Connections are made on Terminal Blocks
- Zero, Gain, and Manual Bias
- Plug-in Design

Phase Angle Features

- Current Limiting (10-100% of rated current)
- Soft Start (25% demand per second at startup)

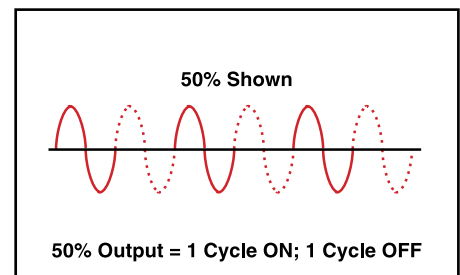
Safety Features

Personnel Safety

- Ground Potential Heat Sink
- SCR to Heat Sink Isolation

Equipment/Process Safety (All Standard)

- Input to Output Isolation (1500 Volt)
- Transient Overvoltage Protection
- I²T Fusing Protection

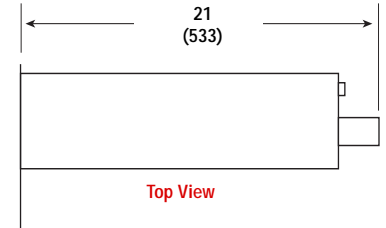
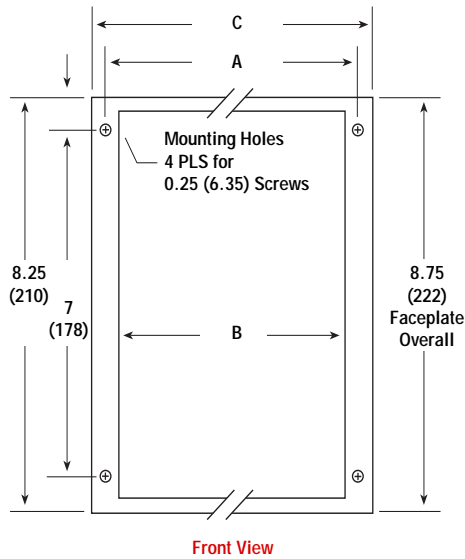


Proportional Power Controller
(Zero Voltage Switching) DOT

7350 & 7353

Single Phase Plug-In SCR Power Pak (cont'd.)

Dimensions



Note: For proper ventilation keep top and bottom open

All Dimensions in Inches (mm)

Model without Fan	Case Model with Fan	# Units in Case	A	B	C
0145-10056	0145-10064	1	5.75 (146)	5.13 (130)	6.6 (165)
1045-10057	0145-10065	2	5.75 (146)	5.13 (130)	6.6 (165)
0145-10058	0145-10066	3	7.93 (202)	7.19 (183)	8.69 (221)
0145-10059	0145-10067	4	10 (254)	9.25 (235)	10.75 (273)
0145-10060	0145-10068	5	12.06 (306)	11.31 (287)	12.81 (325)
0145-10061	0145-10069	6	14.13 (359)	13.38 (340)	14.88 (378)
0145-10062	0145-10070	7	16.19 (411)	15.44 (392)	16.94 (430)
0145-10063	0145-10071	8	18.25 (464)	17.50 (445)	19 (483)

Ordering Information

Complete the Model Number using the Matrix provided.

Model	SCR Power Controller
7350	Single Phase, Plug-In, Phase-Angle Firing SCR Power Controller with I ² T Fusing
7353	Single Phase, Plug-In, Zero Voltage Switching SCR Power Controller with I ² T Fusing
	Code Current
	1 25 Amps
	2 40 Amps (requires Forced Air Cooling)
	Code Voltage
	1 120 Vac
	2 208 Vac
	3 240 Vac
	4 277 Vac
	5 480 Vac
	Code Input Signal
	16 0-5 mA into 1000 Ohms
	17 0-20 mA into 250 Ohms
	18 0-50 mA into 100 Ohms
	19 1-5 mA into 1000 Ohms
	20 4-20 mA into 250 Ohms
	21 10-50 mA into 100 Ohms
	X Other (Consult Factory)
	Code
	0 Add to complete model number
7353 - 2 3 19 0	Typical Model Number