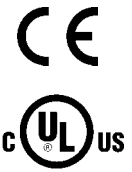


4001 Triac

DIN-Rail Mount Single Phase Power Controller

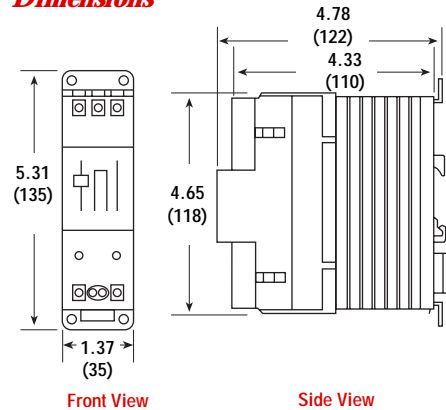


- Single Phase Loads up to 18 Amps, 240 Vac
- 4.5 to 35 Vdc Input Signal
- Easy DIN-Rail or Sub-Panel Installation
- Size Compatible for Easy Replacement of Mercury Displacement Relays
- Zero-Crossover Switching to Minimize RFI and EMI
- Front Access Terminals for Easy Wiring
- LED Indication of SSR ON

Description

The 4001 low current solid state power controllers combine Chromalox's years of power switching technology experience and know-how with new components and packaging technologies to deliver reliable and easy-to-install components. The 4001 series power controllers are compactly packaged to allow for fast and easy DIN-rail or sub-panel mounting, with wiring terminals easily accessible from the front. The depth and height of all controllers in the 4000 series are consistent, optimizing the mounting and wiring of mixed controller types.

Dimensions




All Dimensions in Inches (mm)

Ordering Information

Complete the Model Number using the Matrix provided.

In Stock:

Model	PCN
4001-12370	307571
4001-18370	307580

 More Information is Available Online on SCR Power Control.

Bookmark Your Browser to www.chromalox.com and Select Manuals.

Model	Solid State Power Controller				
4001	Single Phase, Zero-Crossover Fired Solid State Relay, DIN-Rail or Sub-Panel Mount				
	Code	Max. Rated Current @ 50°C (Amps)			
	12	12 Amps			
	18	18 Amps			
	Code	Voltage	PIV (Peak Inverse Voltage)		
	3	Up to 240 Vac	800		
	Code	Input			
	7	4.5 - 35 Vdc (15mA continuous)			
	Code				
	0	Add to complete model number			
4001 -	12	3	7	0	Typical Model Number