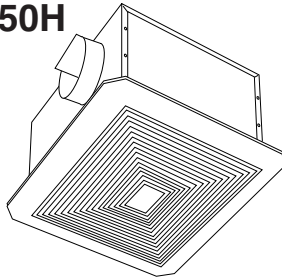


# Bath Fans

## Models 7100, 7130, 7150, 7100H & 7150H



### MODEL DESCRIPTION

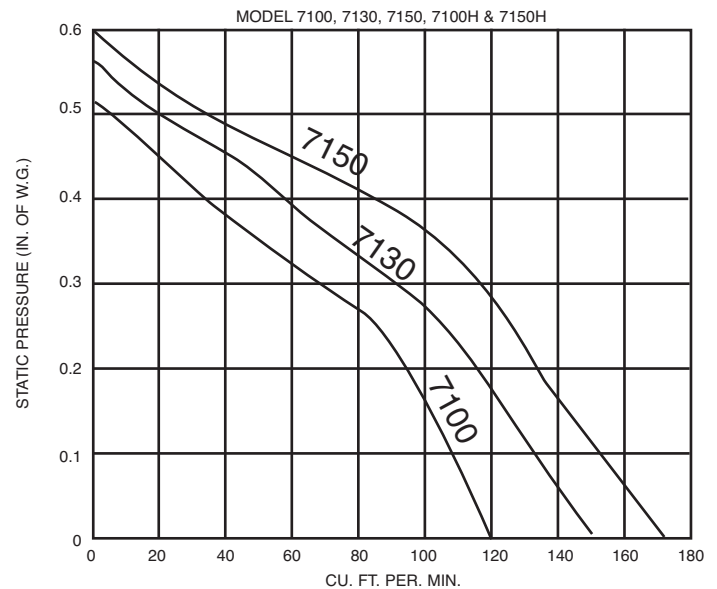
For those ventilation applications where extreme quiet is imperative, the Super-Q of ventilators has been expanded with the newly designed Super-Q Series 71 Bath Fans. The low profile grille will complement a wide range of decorating themes and its white color blends with the ceiling as a subtle styling addition. The performance secret of the Series 71 is in the heavy duty housing; the air chamber computer designed for optimum air flow and sound properties; and super-quiet squirrel-cage blower. These fans are U.L. listed and can be used in tub or shower enclosures when installed on a GFIC protected circuit.

### FEATURES

- Plug-in enclosed motor with super-quiet squirrel-cage blower.
- 4" Duct adapter with integral back draft damper.
- Adjustable mounting brackets for easy installation between ceiling joists.
- Computer designed air chamber for optimum air flow and sound properties.
- Listed. Can be used in tub or shower enclosure when wired on a GFIC protected circuit.
- Low-profile high-impact styrene grille.

### SPECIFICATIONS

### PERFORMANCE DATA



### SUGGESTED SPECIFICATIONS

Bath Fans shall bear the HVI Tested Certified Seal and the UL label. Fans shall have integral duct adapter and back draft damper. Housing shall be made of E.Z.C. steel and shall not exceed sound level ratings shown. Fans shall have squirrel-cage blowers with true centrifugal wheels. Fan grille shall be of white, high-impact styrene providing 360° air intake. Fans shall be provided with plug-in motor and receptacle inside the housing. Motor, motor bracket and blower assembly shall be removable without disturbing the housing. Fan motors shall be direct drive and suitably grounded. Bath Fans shall be from Marley Engineered Products, 470 Beauty Spot Road East, Bennettsville, SC 29512

HVI CERTIFIED RATINGS



SQ. FT

MODEL	DUCT SIZE	ROUGH-IN OPENING	AMPS	CFM	SONES	BATH	OTHER
7100A	4"	10 <sup>1</sup> / <sub>4</sub> "x 11 <sup>7</sup> / <sub>16</sub> "	0.70	100	1.5	95	125
7130	4"	10 <sup>1</sup> / <sub>4</sub> "x 11 <sup>7</sup> / <sub>16</sub> "	0.73	130	2.5	120	165
7150	4"	10 <sup>1</sup> / <sub>4</sub> "x 11 <sup>7</sup> / <sub>16</sub> "	1.7	150	3.5	140	190

REFERENCE	QTY.	REMARKS	Project
			Location
			Architect
			Engineer
			Contractor
			Submitted By
			Date

## INSTALLATION INSTRUCTIONS

1. Remove the grille assembly from the carton and set it aside until needed.
2. Loosen three screws securing blower unit to housing and slide it toward outlet box. Carefully lift and tilt blower unit and remove from housing. Pull motor plug from receptacle. See Fig. 1.
3. Remove outlet box cover by removing mounting screw. Retain cover and screw for reinstallation. Remove desired knockout from housing.
4. Attach duct adapter to housing by first hooking mounting flange over edge of air discharge opening. Pivot duct adapter insuring (2) aligning tabs are inside opening and align (2) locking tabs with small rectangular holes. Press firmly into holes to lock. See Fig.2.

NOTE: The attachment of the duct adapter to the housing may be reinforced if desired, by installing a #8AB screw through the obround hole in the duct adapter and the small round hole in the housing.

5. Insert (4) mounting brackets with angels pointing away from housing. In approximate location between ceiling joists where housing will be located, drive (2) nails (4D or 6D) 1" from the bottom of the joist, 11" apart leaving 1/4" of nail projecting. Position one set of mounting brackets over nails and drop into place. Extend the remaining mounting brackets to the adjacent joist and repeat nailing procedure. Finish driving nails and adjust housing between ceiling joist. See Fig.3.
  6. Run 120VAC, 60Hz power cables from wall switch/switches to appropriate knockout in housing. Use a BX or Romex connector. (Refer to wiring diagram). Connect cables from wall switch/switches to receptacle wires using approved wire connectors. Connect ground wire to green screw to lead in outlet box Install outlet box cover and secure with screw provided.
  7. Run four inch duct from discharge outlet to roof jack or wall cap.
- IMPORTANT:** Be sure nothing obstructs the discharge of the vent. Take precautions to insure that insulation does not get into ductwork or fan discharge opening and damper opens and closes freely.
8. Push blower motor plug into receptacle and carefully replace blower unit. Reverse procedure as noted. Tighten screws securely. See Fig. 1.
  9. Squeeze spring on plastic grille and insert into tabs located in housing. See Fig. 1. Press grille firmly in place.

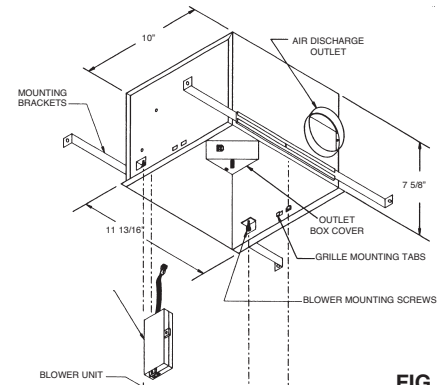


FIG. 1

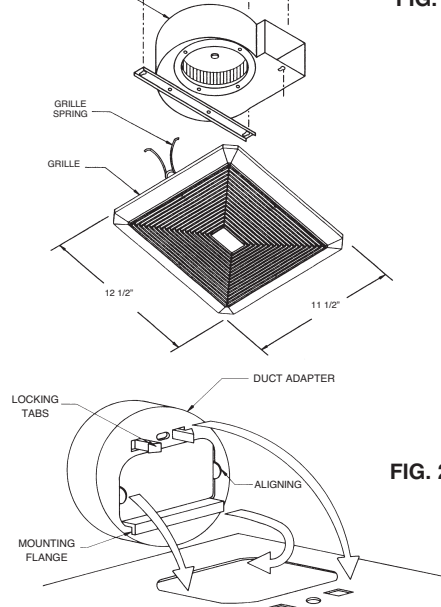


FIG. 2

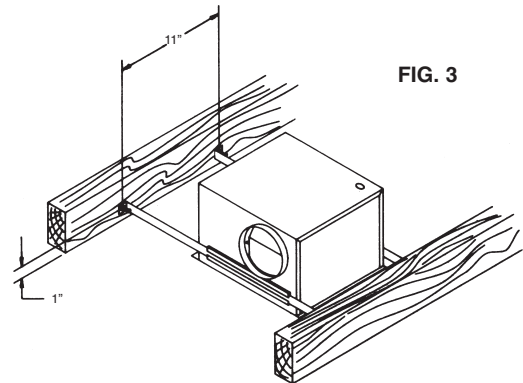


FIG. 3

## INSTALLATION IN EXISTING HOMES

1. Review the section: "New Home Installation" and follow instructions where applicable.
2. Drill a small hole in ceiling in proposed location, then locate this hole in the attic or crawl space.
3. In attic mark ceiling for cutout by using housing as a template. Using this line, make a cutout about 1/4" larger.
4. Place housing with mounting brackets installed into hole and rest mounting brackets on sheetrock. Extend and nail all four ends of mounting brackets.
5. Perform steps 1 thru 9 as for new construction.

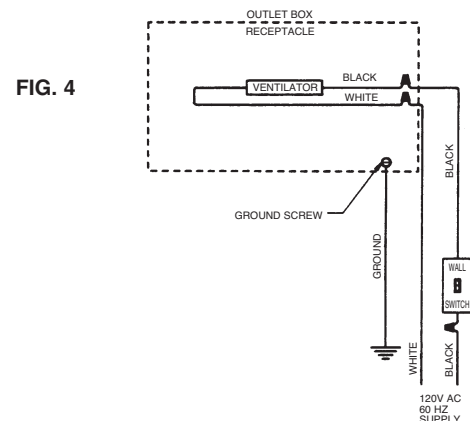


FIG. 4



470 Beauty Spot Road East,  
Bennettsville, SC 29512  
For more info visit [www.marlymep.com](http://www.marlymep.com)