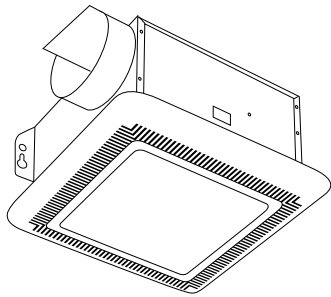


Bath Fans

Models 6060RL, 6080RL & 6100RL



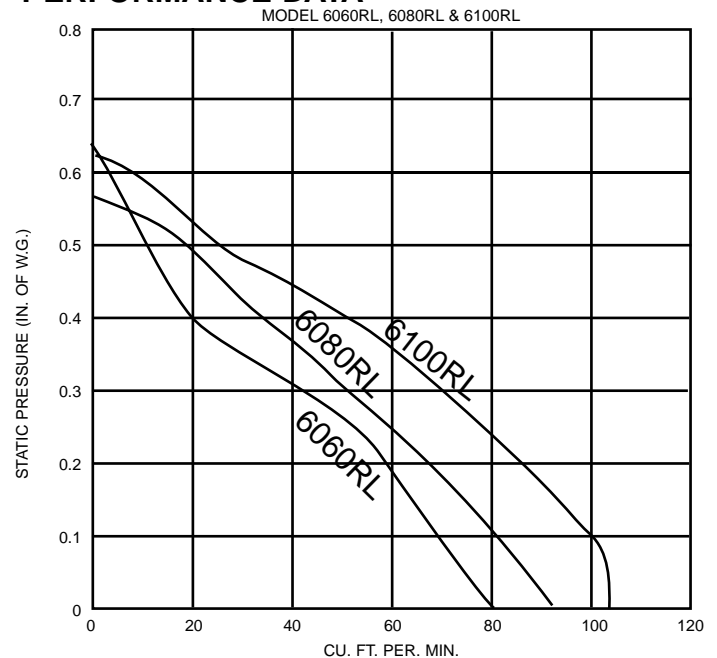
MODEL DESCRIPTION

These deluxe decorator ventilator / light combinations, with capacities up to 100 CFM feature quiet squirrel-cage blowers with 100 watts of lighting. These Bath Fans are intended for use in bathrooms, but can be used in other areas where ventilation is required. Marley Engineered Products Model 6060RL, 6080RL and 6100RL are approved for installation in the ceiling above a bathtub or shower stall only when connected to a U.L. listed GFCI protected branch circuit.

FEATURES

- High-styled deluxe grille with durable snap-in Lexan® lens provides 360° air intake for quiet and efficient operation and easy bulb replacement.
- Low profile housing mounts directly to ceiling joists for easy placement in new and existing ceilings.
- 4" round discharge with automatic back draft damper.
- Easily wired with patented snap-in junction box.
- 100 Watt lamp capacity.
- UL listed for use in tub or shower when installed on a GFI Protected circuit.
- UL listed IC for installation in insulated ceilings.
- Builder split pack available, (6000X1 Housing 6 pack, 6060LX2, 6080LX2 and 6100RLX2 single Finish Packs).

PERFORMANCE DATA



SUGGESTED SPECIFICATIONS

Fans shall bear the HVI Tested Certified Seal and the UL label. Fans shall have E.Z.C. steel housing and shall not exceed sound level rating shown. Fans shall have integral duct adapter and back draft damper. Fan grille shall provide 360° air intake and lens shall be made of unbreakable heat resistant thermoplastic. Fans housing shall have integral mounting tabs for direct mounting to ceiling joists. Fans shall be provided with plug-in motor and receptacle inside the housing. Motor, motor bracket and impeller assembly shall be removable without disturbing the housing. Fan motors shall be direct drive, suitably grounded, and enclosed within a quiet squirrel-cage blower. Bath Fans shall be from Marley Engineered Products, 470 Beauty Spot Road East, Bennettsville, SC 29512

SPECIFICATIONS

HVI CERTIFIED RATINGS



SQ. FT

MODEL	DUCT SIZE	ROUGH-IN OPENING	AMPS	CFM	SONES	BATH	OTHER
6060RL	4"	8 ³ / ₄ " X 8 ³ / ₄ "	2.1	60	4.0	55	75
6080RL	4"	8 ³ / ₄ " X 8 ³ / ₄ "	1.7	80	3.0	75	95
6100RL	4"	8 ³ / ₄ " X 8 ³ / ₄ "	1.7	100	4.5	95	125

REFERENCE	QTY.	REMARKS	Project
			Location
			Architect
			Engineer
			Contractor
			Submitted By
			Date

NEW HOME INSTALLATION

If duct adapter is factory installed, disregard item #1.

1. Attach duct adapter onto housing. Press firmly to lock in place. See Fig. 2. Insure that damper opens and closes freely. The attachment of the duct may be reinforced by installing a #8AB screw through the obround hole in the duct adapter and the small hole in the housing.
2. Attach housing directly to ceiling joist using (4) screws or nails. Bottom flange of housing should drop below bottom of ceiling joist a distance equal to the thickness of the sheetrock minus 5/16". See Fig. 3.
3. Run 120 Volt AC, 60 Hz power cable from wall switch/switches to appropriate knockout in housing. The knockout support may be reversed, if desired, to open alternate knockout hole. Use a BX or ROMEX connector in the knock-out to secure power cables to housing.
4. Remove the outlet box cover from housing. See Fig. 1. Connect cables from wall switch/switches to receptacle wires using approved wire connectors. Connect ground wire to green wire in outlet box. Replace outlet box cover insuring locking tab is engaged. See Fig. 4 for wiring diagrams. **CAUTION: Be sure all wiring complies with local and national electrical codes and housing is properly grounded.**
5. Install 4" round duct to duct adapter on housing. Insure that duct discharges the fan to the outside. Be sure nothing obstructs the discharge of the vent. Take precautions to assure that insulation does not get into duct work or fan discharge opening.
6. After sheetrock and plaster has been put up, remove lens from grille/reflector assembly by pushing in at one of the two indentations on the side of the lens. Push light plug into light receptacle on outlet box cover. Install grille/reflector assembly to housing by squeezing grille springs and inserting into slots inside housing, see Fig 1.
7. Install a 100 watt (max.) A19 bulb into lamp socket. Replace and align lens.

WARNING: RISK OF FIRE!

Use of lamps other than those specified constitutes a fire hazard!

8. Check installation to insure that wiring has been installed properly and that no mechanical noise is present which may be caused by loose components.

EXISTING HOME INSTALLATION

1. In attic, mark ceiling for cutout by using housing as template. Note that housing is mounted directly to ceiling joist. See Fig. 5.
2. Follow Steps 1-7 in the New Home Installation section for the remaining installation steps.

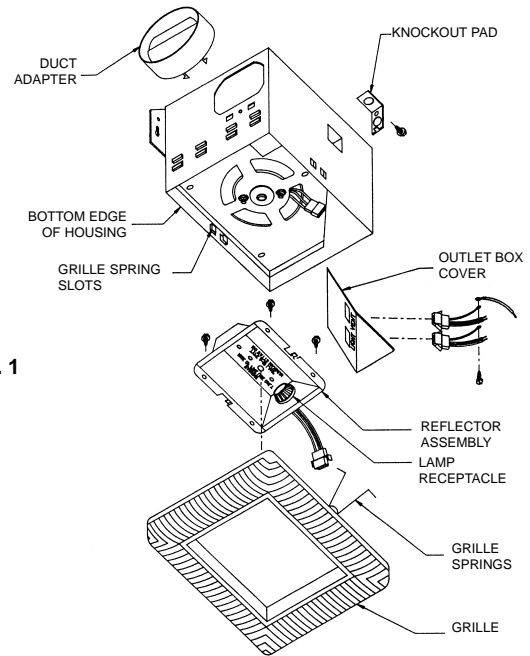


FIG. 1

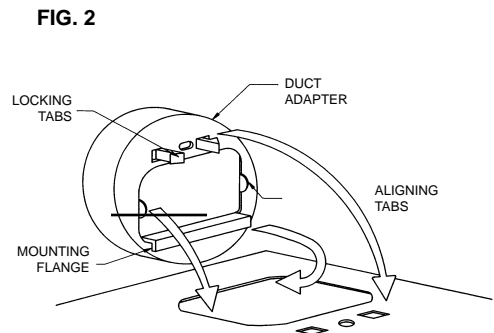


FIG. 2

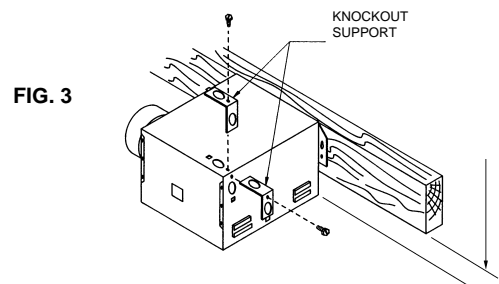


FIG. 3

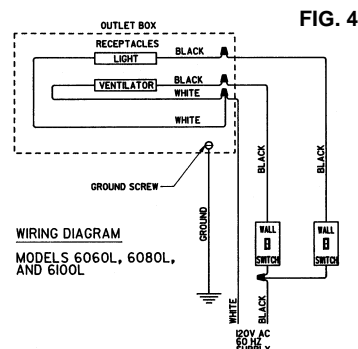


FIG. 4

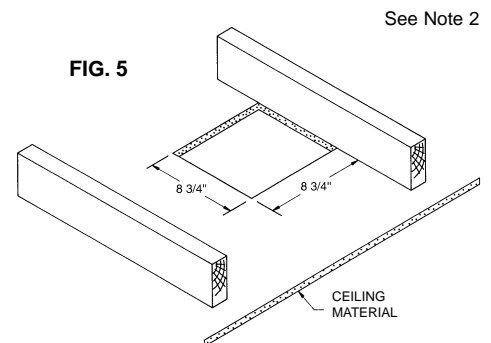


FIG. 5



SPX Corporation
470 Beauty Spot Rd. East
Bennettsville, SC 29512 USA
For more info visit www.marlymep.com