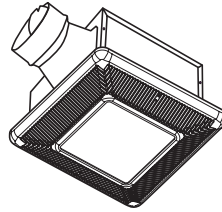


Bath Fan / Light w/ Night Light

Models 8060FL, 8080FL, 8100FL, 8100FLH, 8140FL



MODEL DESCRIPTION

Marley Engineered Products Environmental Series bath fan/light models are Energy Star qualified. By using highly efficient motors and lighting, Energy Star fans can, on average, consume 65% less energy than conventional fan/light models and may qualify for local utility rebates. Learn more about Energy Star at www.energystar.gov.

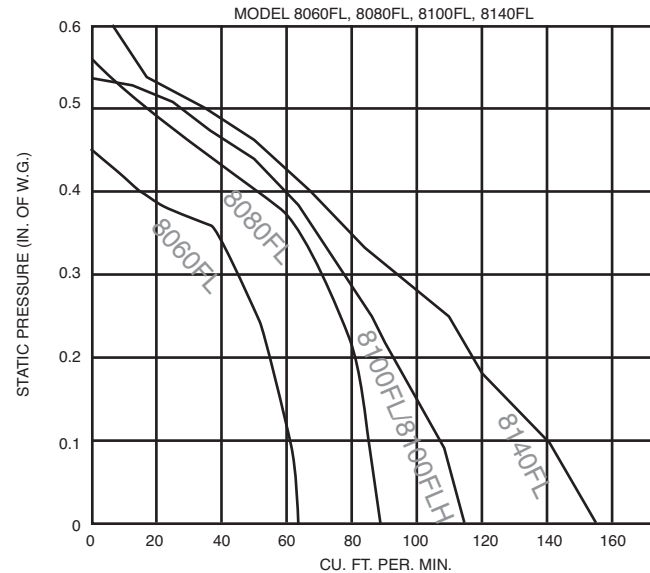
FEATURES

- Plug-in high efficient motor with super-quiet double inlet blower can be easily installed and serviced.
- Patented light compartment design give 50% more direct light from two 13-watt compact quad-tube instant start fluorescent lamps (bulbs included) (US Patent 6,939,023)
- New designer-styled high-impact styrene grille with non-yellowing prism glass lens for even light distribution.
- Heavy-duty galvanized housing and blower.
- Four adjustable mounting bars allows for placement anywhere between 16" O.C. and 24" O.C. ceiling joists.
- High-density acoustical insulation throughout housing to absorb noise.
- Specially designed 4" duct transition with back draft damper reduces noisy air turbulence and comes pre-assembled to housing.
- Built-in Humidity Sensor (8100FLH only) automatically detects humidity and turns on fan. Manual override from wall switch.
- 4-watt night light (bulb not included)
- Performance of 60, 80, 100, & 140 CFM.
- cULus listed IC for use in insulated ceilings.
- cULus listed for use over a tub or shower when wired on a UL listed GFI protected circuit.
- HVI 2100 certified.
- Energy Star qualified.

SPECIFICATIONS

MODEL	DUCT SIZE	LAMP WATTS	ROUGH-IN OPENING	AMPS	CFM	SONES	SQ. FT		LIST
							BATH	OTHER	
8060FL	4"	26/4	10-1/4 X 11-7/16	0.41	60	0.5	55	75	
8080FL	4"	26/4	10-1/4 X 11-7/16	0.48	80	1.0	75	95	
8100FL	4"	26/4	10-1/4 X 11-7/16	0.51	100	1.5	95	125	
8140FL	4"	26/4	10-1/4 X 11-7/16	0.62	140	2.5	130	175	
8100FLH	4"	26/4	10-1/4 X 11-7/16	0.51	100	1.5	95	125	

PERFORMANCE DATA



SUGGESTED SPECIFICATIONS

Bath fans shall bear the Energy Star qualified label, HVI Tested/Certified seal and the cULus label. Fans shall meet the performance and sound level ratings as listed. Housing shall be constructed of E.Z.C. plated steel and shall have integral duct adapter and back draft damper. Fans shall have squirrel-cage blower with double inlet centrifugal wheel. Fans shall be provided with direct drive plug-in motors. Receptacles shall be inside housing and substantially grounded. Motor and blower assembly shall be removable without disturbing the housing. Fan grille shall be white high impact styrene providing 360 degree air intake with integral non-yellowing prism glass lens. Lighting compartment shall be aluminum and support two 13-watt compact quad-tube instant start fluorescent bulbs(included) and one incandescent 4 watt night light(not included). Bath fans shall be Marley Engineered Products 470 Beauty Spot Road East, Bennettsville, SC 29512.



HVI CERTIFIED RATINGS

REFERENCE	QTY.	REMARKS	Project
			Location
			Architect
			Engineer
			Contractor
			Submitted By
			Date

INSTALLATION INSTRUCTIONS

1. Remove the grille assembly from the carton and set it aside until needed. Remove reflector assembly from blower unit by pulling plug from receptacle, loosen mounting screw and remove through keyhole slot. See Fig. 1.
2. Loosen three screws securing blower unit to housing and slide it toward outlet box. Carefully lift and tilt blower unit and remove from housing. Pull motor plug from receptacle. See Fig. 1.
3. Remove outlet box cover by removing mounting screw. Retain cover and screw for reinstallation. Remove desired knockout from housing.
4. Insert (4) mounting brackets with angels pointing away from housing. In approximate location between ceiling joists where housing will be located, drive (2) nails (4D or 6D) 1" from the bottom of the joist, 11" apart leaving 1/4" of nail projecting. Position one set of mounting brackets over nails and drop into place. Extend the remaining mounting brackets to the adjacent joist and repeat nailing procedure. Finish driving nails and adjust housing between ceiling joist. See Fig.2.
5. Run 120VAC, 60Hz power cables from wall switch/switches to appropriate knockout in housing. Use a BX or Romex connector. (Refer to wiring diagram). Connect cables from wall switch/switches to receptacle wires using approved wire connectors. Connect ground wire to green screw in outlet box. Install outlet box cover and secure with screw provided.
6. Run four inch duct from discharge outlet to roof jack or wall cap.
IMPORTANT: Be sure nothing obstructs the discharge of the vent. Take precautions to insure that insulation does not get into ductwork or fan discharge opening and damper opens and closes freely.
7. Push blower motor plug into receptacle and carefully replace blower unit. Reverse procedure as noted. Tighten screws securely. See Fig. 1.
8. Insert lamp plug of reflector assembly into lamp receptacle on the outlet box. Align keyhole slot on reflector assembly bracket over screw on blower unit and slide into place. Insure that protrusion in bracket aligns with hole in blower assembly and tighten screw.
9. Squeeze spring on plastic grille and insert into tabs located in housing. See Fig. 1. Press grille firmly in place.

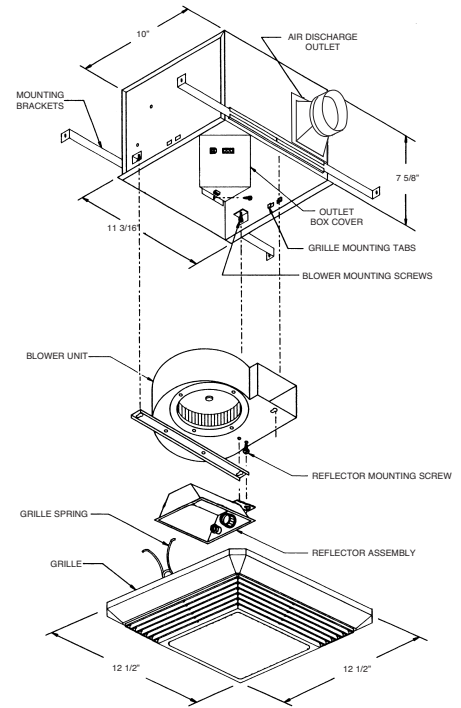


FIG. 1

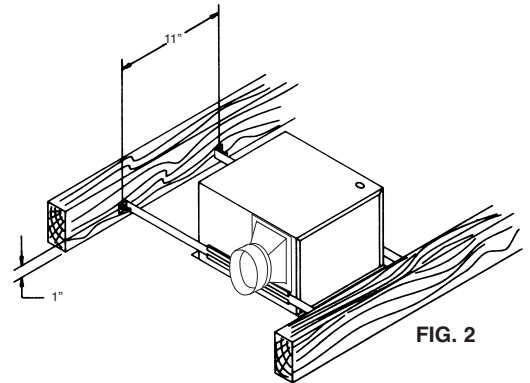


FIG. 2

INSTALLATION IN EXISTING HOMES

1. Review the section: "New Home Installation" and follow instructions where applicable.
2. Drill a small hole in ceiling in proposed location, then locate this hole in the attic or crawl space.
3. In attic mark ceiling for cutout by using housing as a template. Using this line, make a cutout about 1/4" larger.
4. Place housing with mounting brackets installed into hole and rest mounting brackets on sheetrock. Extend and nail all four ends of mounting brackets.
5. Perform steps 1 thru 9 as for new construction.

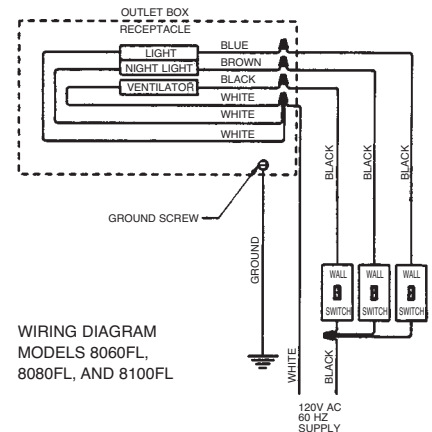


FIG. 3


Marley
 Engineered Products
 An **SPX** Company
 Bennettsville, SC 29512
 For more info visit www.marlymep.com