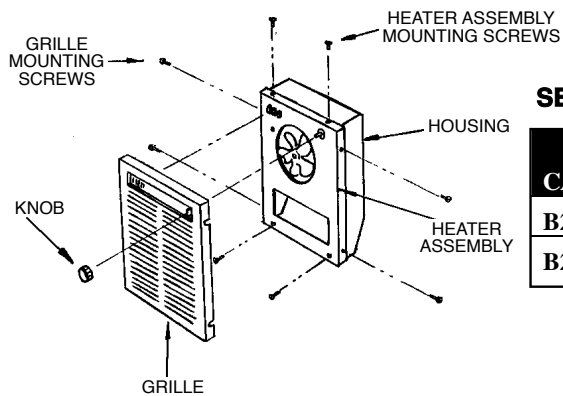
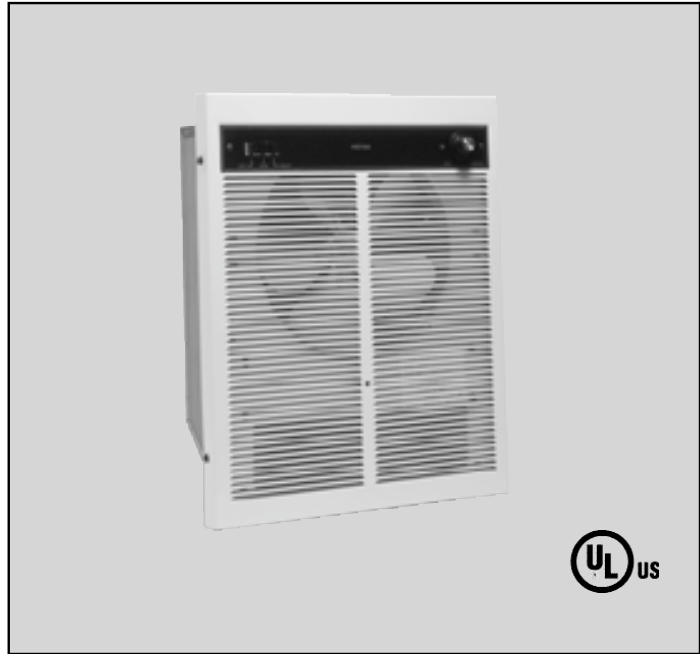


B2400 SERIES WALL HEATERS

- Coiled nichrome element for fast heat delivery.
- Snap-action thermostat for precise room comfort control.
- Matched fan and motor combination.
- Precision-balanced fan blades for quiet operation.
- Manual reset thermal limit switch for greater safety.
- 3-way push button control panel.
- Recessed or surface mounted installation (with optional surface mount adapter).
- POSITIVE OFF switch allows the unit to be electrically disconnected for complete seasonal shutdown.



SELECTION CHART

CAT. #	FINISH	ROUGH-IN OPENING	WATTS	AMPS	VOLTS	BTUH
B2451	Almond	11-1/8"x14-3/8"	1500	13.4	120	5120
B2452	Almond	11-1/8"x14-3/8"	2000/1500	8.9/7.8	240/208	6826/5120