

VENTILATING FAN WITH RADIATION DAMPER

MODEL 650FRD, 680FRD, 610FRD

APPLICATION

Marley ventilaters, with built-In Fire Radiation Damper, offers the ultimate combination of quiet high performance ventilation and the best protection against flame penetration and radiant heat. Marley Engineered Products fans are intended for use in bathrooms, but can be used in other areas where ventilation is required.

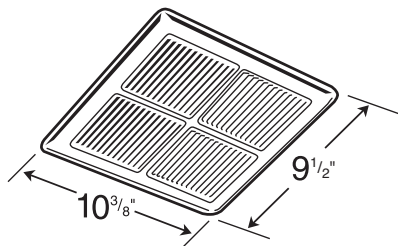
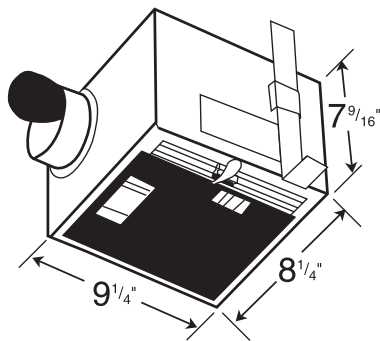
FEATURES

- Rugged, 22-gage plated steel housing with pre mounted round steel duct fitting with built-in backdraft damper.
- Plug-In totally enclosed permanently lubricated motor.
- Spring-Mounted white painted low profile steel grille.
- Mounting brackets included for installation between ceiling joists or in drop ceilings.
- UL / cUL listed and HVI certified.



DAMPER CONSTRUCTION

- 22-gage galvanized steel frame.
- Pre-mounted duct adapter w/ damper.
- Stainless steel closure springs.
- High heat, non-asbestos ceramic blanket.
- Replaceable 165 deg F fusible link. (Others available)
- ULC and UL listed ceiling firestop damper.
- Designed and tested in accordance with ULC Guide No. 40U18.1.1-1/2.
- Up to 3 hours fire resistance rating.



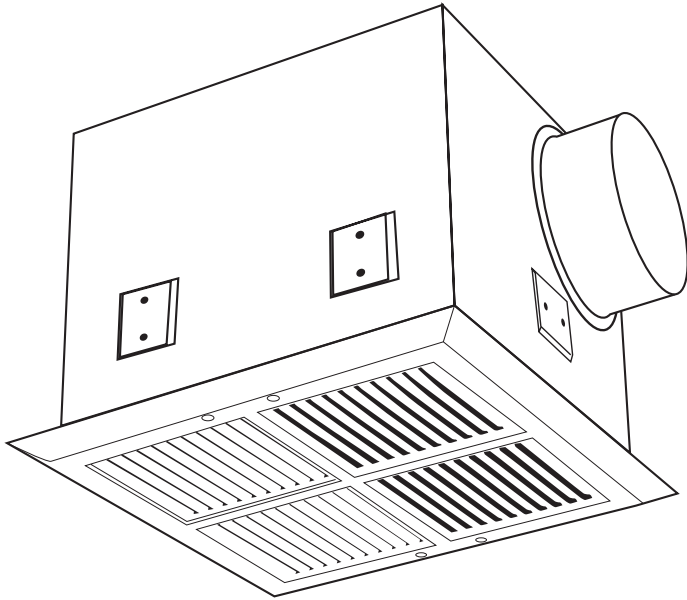
S P E C I F I C A T I O N S

MODEL	DUCT SIZE	ROUGH-IN OPENING	HVI CERTIFIED RATINGS					SQ. FT		LIST PRICE
			AMPS	CFM	SONES	SQ. FT				
						BATH	OTHER			
650FRD	3"	8-1/4" X 9-1/4"	.76	50	2.5	45	65	\$140.00		
680FRD	4"	8-1/4" X 9-1/4"	.35	80	2.5	75	95	\$174.50		
610FRD	4"	8-1/4" X 9-1/4"	.60	100	3.0	95	125	\$209.00		



Visit our website @ www.marlymep.com

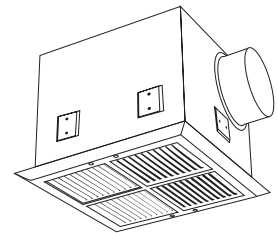
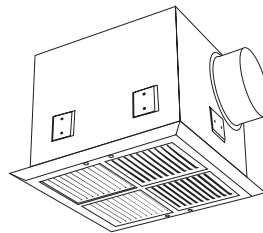
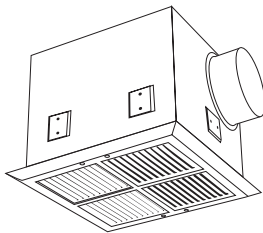
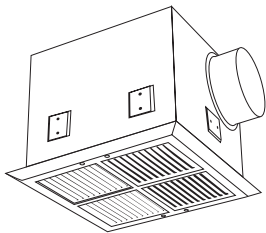
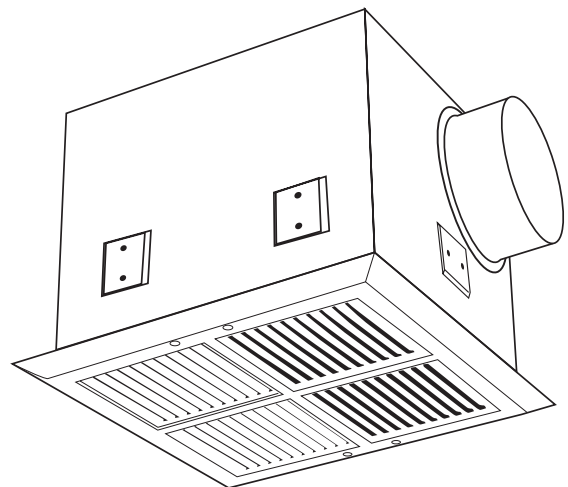
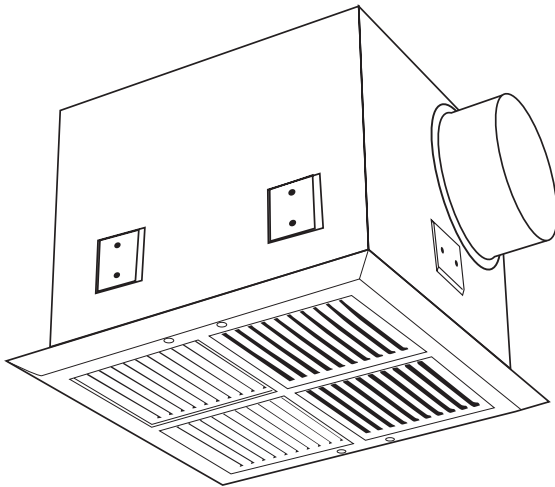
MODEL 650FRD, 680FRD, 610FRD



- Rugged, 22-gage plated steel housing with pre mounted round steel duct fitting with built-in backdraft damper.
- Plug-In totally enclosed permanently lubricated motor.
- Spring-Mounted white painted low profile steel grille.
- Mounting brackets included for installation between ceiling joists or in drop ceilings.
- UL / cUL listed and HVI certified.

DAMPER CONSTRUCTION

- 22-gage galvanized steel frame.
- Pre-mounted duct adapter w/damper.
- Stainless steel closure springs.
- High heat, non-asbestos ceramic blanket.
- Replaceable 165 deg F fusible link. (Others available)
- ULC and UL listed ceiling firestop damper.
- Designed and tested in accordance with ULC Guide No. 40U18.1.1-1/2.
- Up to 3 hours fire resistance rating.



Marley
Engineered Products
An **SPX** Company

Bennettsville, SC 29512
www.marlemep.com