



Marley

Engineered Products

An **SPX** Company



S1500TA & S1504TA Electric Toe Space Heaters with built-in thermostat

Installation & Maintenance Instructions

Dear Owner,

Congratulations! Thank you for purchasing this new heater manufactured by a division of Marley Engineered Products. You have made a wise investment selecting the highest quality product in the heating industry. Please carefully read the installation and maintenance instructions shown in this manual. You should enjoy years of efficient heating comfort with this product from Marley Engineered Products... the industry's leader in design, manufacturing, quality and service.

*... The Employees of
Marley Engineered Products*



WARNING



Read Carefully - These instructions are written to help you prevent difficulties that might arise during installation of heaters. Studying the instructions first may save you considerable time and money later. Observe the following procedures, and cut your installation time to a minimum.

To reduce risk of fire or electric shock:

1. Disconnect all power coming to heater at main service panel before wiring or servicing.
2. All wiring must be in accordance with the National and Local Electrical Codes and the heater must be grounded as a precaution against possible electric shock.
3. Verify the power supply voltage coming to heater matches the ratings printed on the heater nameplate before energizing.
4. This heater is hot when in use. To avoid burns, do not let bare skin touch hot surfaces.
5. Do not insert or allow foreign objects to enter any ventilation or exhaust opening as this may cause an electric shock, fire, or damage to the heater.
6. To prevent a possible fire, do not block air intakes or exhaust in any manner. Keep combustible materials, such as crates, drapes, etc., away from heater. Do not install behind doors, furniture, towels, or boxes.
7. A heater has hot and arcing or sparking parts inside. Do not use it in areas where gasoline, paint or flammable liquids are stored.
8. Use this heater only as described in this manual. Any other use not recommended by the manufacturer may cause fire, electric shock, or injury to persons.
9. This heater is not approved for use in corrosive atmospheres such as marine, green house or chemical storage areas.

SAVE THESE INSTRUCTIONS



WARNING

TO REDUCE RISK OF FIRE OR ELECTRICAL SHOCK, **DO NOT** INSTALL WITHOUT BACK BOX. **DO NOT** OPERATE WITHOUT GRILLE INSTALLED.

CAUTION

1. **DO NOT** USE HEATER FOR DRY OUT. PAINT, PLASTER, SAW-DUST, AND DRYWALL SANDING DUST MUST BE KEPT OUT OF HEATER.

2. THE HEATER IS HOT WHEN IN USE. **DO NOT** INSTALL THE HEATER BEHIND DOOR, BEHIND TOWEL RACK, IN CLOSET, WHERE CURTAINS OR DRAPES COULD TOUCH OR BECOME SCORCHED BY HEATER, OR WHERE AIRFLOW TO HEATER MAY BE OBSTRUCTED. KEEP ELECTRICAL CORDS, BEDDING, FURNITURE AND OTHER COMBUSTIBLES AWAY FROM HEATER.

NOTE: Heater is equipped with built-in thermostat. If a wall thermostat is used, a separate feed from wall thermostat to heater is required. See wiring diagram Fig 3.

NOTE: Hole location should be 12" from corner and 1/4" above finished floor.

CAUTION

USE OF REMOTE THERMOSTAT WHICH SHUTS OFF POWER TO HEATER DEFEATS FAN DELAY FEATURE AND DOES NOT ALLOW HEATER TO COOL DOWN AS REQUIRED. WIRING HEATER IN THIS MANNER WILL RESULT IN OVER-HEATING AND POSSIBLE DAMAGE TO HEATER AND/OR SURROUNDINGS. WIRE HEATER EXACTLY AS SHOWN IN WIRING DIAGRAMS, FIG. 2 & FIG. 3.

HORIZONTAL INSTALLATION ONLY

This heater may be wired with standard building wiring (rated minimum 60° C).

1. Cut a 14 1/4" x 3 5/8" (361.9 x 92.1 mm) opening at desired location as shown in Fig. 1. Keep clearance area free of obstructions.
2. Remove top cover from heater enclosure by removing the cover screws.
3. Determine which knockout in enclosure will be used for field wiring and remove (see Fig 1). Install strain relief (field supplied).
4. Fish field wiring through strain relief leaving 6" (12.7 mm) of wire inside box.
5. Make wiring connection, attaching field wiring to two (2) black pigtail leads for 240/208V model, or to black and white pig tail leads for 120V model with wirenuts (provided). Connect field ground lead to ground pigtail with wirenut (provided). See Fig. 2.

NOTE: If wall thermostat is used:

- a. A double pole wall thermostat of the type where both poles cycle on and off by temperature change cannot be used with this heater. Only one pole may cycle and this

pole must cycle heating element only, not the motor. Cycling both supply leads will defeat fan delay off feature and result in over-heating and possible damage to heater.

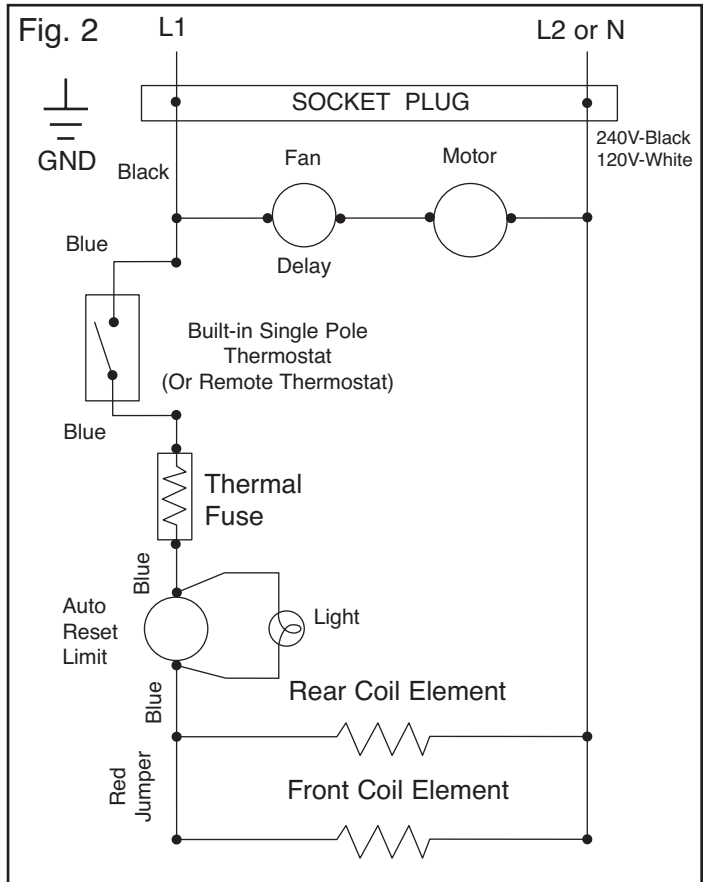
- b. Disconnect blue lead from built-in thermostat lead at point A on wiring diagram, Fig. 3. Cap off thermostat lead with wirenut. Connect blue lead to field supply lead from load side of thermostat. (See Fig. 3) Make remaining field wiring connections per Fig. 3.
6. Replace and secure top cover on heater enclosure, and then position heater into opening.
 7. Using the holes in the flanges of the enclosure for a template, secure both the front grille and the heater by drilling two .093" (3/32") (2.3 mm) diameter holes into the cabinet board and installing two No. 6 x 3/4" (152.4 x 19 mm) screws (supplied) through hole "A." (See Fig. 1).

SPECIFICATIONS

Model No	Wattage	Voltage	Amperage
S1500TA	$\frac{1500}{750}$	120	$\frac{12.5}{6.3}$
S1504TA	$\frac{1500 / 1125}{750 / 564}$	240 / 208	$\frac{6.3 / 5.4}{3.1 / 2.7}$

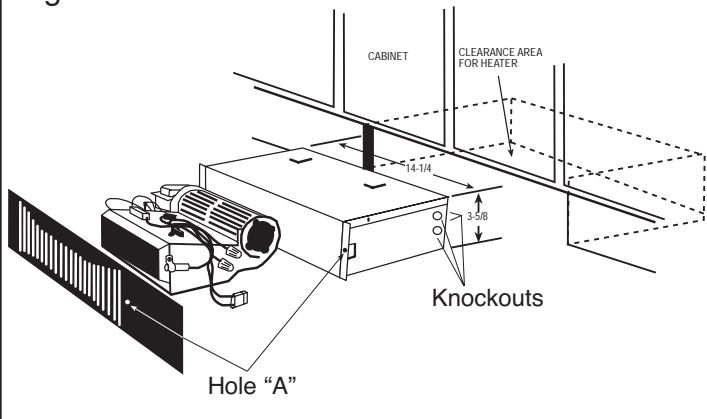
TO CHANGE WATTAGE OUTPUT

The chart shows the wattages available by model. Each heater is factory wired for its maximum wattage. To change wattage remove the Red Jumper at left side of element (See Fig. 3 & 4).

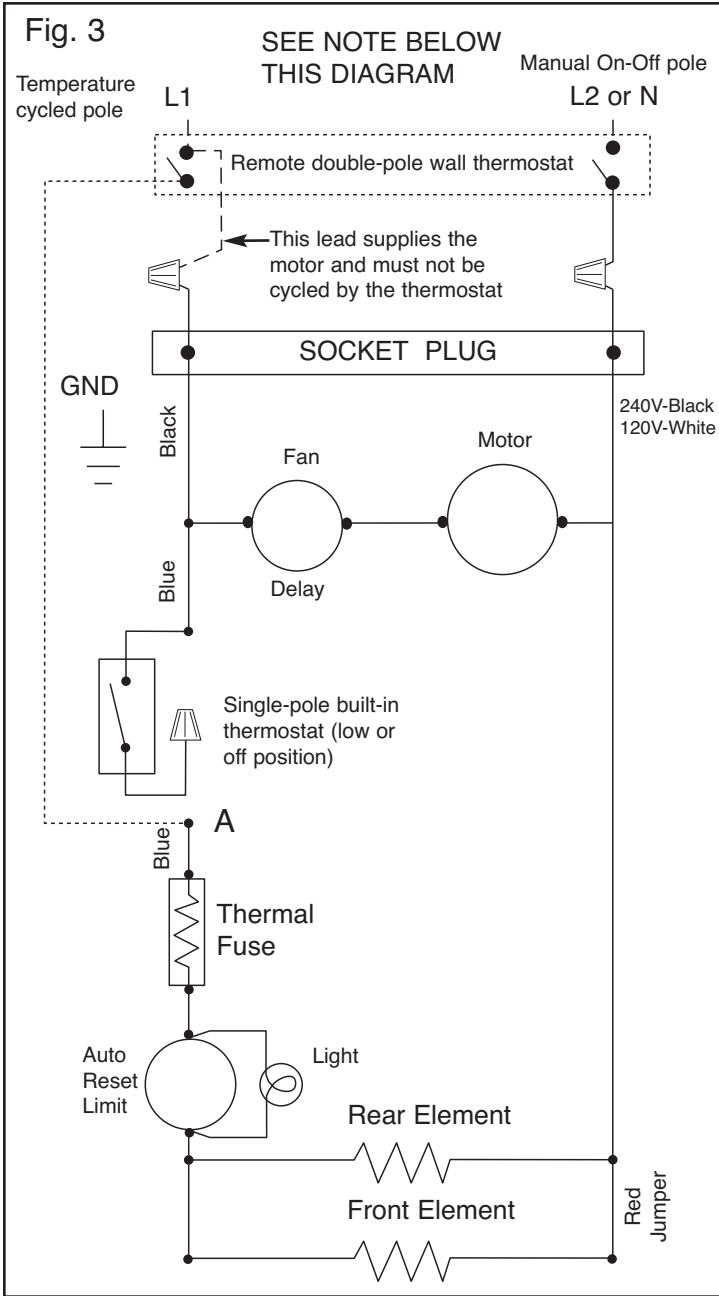


Wiring Diagram - For Built-in Thermostat
For 750 watt, remove red jumper

Fig. 1



IMPORTANT INFORMATION



Wiring Diagram - For Remote Thermostat
For 750 watt, remove red jumper

NOTE: If wall thermostat is used: a double pole wall thermostat of the type where both poles cycle on and off by temperature change cannot be used with this heater. Only one pole may cycle and this pole must cycle heating element **only**, **not** the motor. Cycling both supply leads will defeat fan delay off feature and result in over-heating and possible damage to heater.

WARNING

YOUR HEATER IS PROVIDED WITH A BACK-UP THERMAL SAFETY FUSE THAT WILL OPEN ONLY IF THE HEATER IS IN NEED OF MAJOR REPAIRS. **DO NOT BYPASS THIS FUSE.** THE HEATER CAN ONLY BE REPAIRED BY A QUALIFIED SERVICE CENTER.

CAUTION

FOR CORRECT AND CONTINUED SAFE OPERATION, YOUR HEATER MUST BE INSPECTED AND CLEANED PERIODICALLY. DEPENDING ON THE APPLICATION, THE HEATER SHOULD BE INSPECTED AND CLEANED AT LEAST ANNUALLY. IF USED AS PRIMARY HEAT, INSPECT AND CLEAN HEATER AT LEAST TWICE A YEAR OR MORE OFTEN IF NECESSARY. DO NOT CONTINUE TO USE THIS HEATER IF LINT AND DIRT HAVE ACCUMULATED INSIDE HEATER.

TO CLEAN HEATER:

1. Disconnect power at main service panel.
2. Remove screws and grille.
3. Slide heater and back box out.
4. Remove top of enclosure.
5. Clean blower and inside of heater using vacuum cleaner w/ brush attachment.
6. Carefully spin blower wheel with finger to make sure it turns freely. Look for any damage or overheating of wiring connectors or components. If any problem is discovered, discontinue use of heater until it is repaired.
7. Replace cover.
8. Slide heater back in place.
9. Secure grille and heater with screws.
10. Reconnect power.
11. Verify heater operates properly

OPERATIONAL NOTICE

Your heater is equipped with an automatic reset limit control that will automatically turn the heater OFF to prevent a fire if the heater overheats. Should this occur, the indicator light will illuminate and will continue to shine until the limit resets.

CAUTION

THE ILLUMINATED INDICATOR LIGHT SIGNIFIES THE HEATER HAS BEEN SUBJECTED TO SOME ABNORMAL CONDITION CAUSING IT TO OVERHEAT. CHECK HEATER TO INSURE THAT IT HAS NOT BEEN BLOCKED IN ANY MANNER (IF SO, REMOVE BLOCKAGE). IF THERE IS NO INDICATION OF BLOCKAGE IT IS RECOMMENDED THE HEATER BE CHECKED BY A REPUTABLE ELECTRICIAN OR REPAIR SERVICE TO INSURE THE HEATER HAS NOT BEEN DAMAGED.



NAMEPLATE

MODEL NO. S1504TA	DATE CODE 0197
FAN FORCED WALL HEATER	
240	1500/750
VOLTS AC	WATTS
	6.2/3.1
	AMPS

CAUTION: USE ONLY WITH TS ENCLOSURE.
DO NOT OPERATE WITHOUT GRILLE IN PLACE.

ATTENTION: UTILISER UNIQUEMENT AVEC UN BOÏTIER TS.
NE PAS FAIRE FONCTIONNER SANS LA GRILLE.

PRECAUTION: USARLO SÓLO CON LA CUBIERT A TS.
NO DEVE ENCENDERSE SIN LA REJILLA.



4104-2165-002

Marley Engineered Products
BENNETTSVILLE, SC 29512

LIMITED WARRANTY

All products manufactured by Marley Engineered Products are warranted against defects in workmanship and materials for one year from date of installation, except heating elements which are warranted against defects in workmanship and materials for five years from date of installation. This warranty does not apply to damage from accident, misuse, or alteration; nor where the connected voltage is more than 5% above the nameplate voltage; nor to equipment improperly installed or wired or maintained in violation of the product's installation instructions. All claims for warranty work must be accompanied by proof of the date of installation.

The customer shall be responsible for all costs incurred in the removal or reinstallation of products, including labor costs, and shipping costs incurred to return products to Marley Engineered Products Service Center. Within the limitations of this warranty, inoperative units should be returned to the nearest Marley authorized service center or the Marley Engineered Products Service Center, and we will repair or replace, at our option, at no charge to you with return freight paid by Marley. It is agreed that such repair or replacement is the exclusive remedy available from Marley Engineered Products.

THE ABOVE WARRANTIES ARE IN LIEU OF ALL OTHER WARRANTIES EXPRESSED OR IMPLIED, AND ALL IMPLIED WARRANTIES OF MERCHANTABILITY AND FITNESS FOR A PARTICULAR PURPOSE WHICH EXCEED THE AFORESAID EXPRESSED WARRANTIES ARE HEREBY DISCLAIMED AND EXCLUDED FROM THIS AGREEMENT. MARLEY ENGINEERED PRODUCTS SHALL NOT BE LIABLE FOR CONSEQUENTIAL DAMAGES ARISING WITH RESPECT TO THE PRODUCT, WHETHER BASED UPON NEGLIGENCE, TORT, STRICT LIABILITY, OR CONTRACT.

Some states do not allow the exclusion or limitation of incidental or consequential damages, so the above exclusion or limitation may not apply to you. This warranty gives you specific legal rights, and you may also have other rights which vary from state to state.

For the address of your nearest authorized service center, contact Marley Engineered Products in Bennettsville, SC, at 1-800-642-4328. Merchandise returned to the factory must be accompanied by a return authorization and service identification tag, both available from Marley Engineered Products. When requesting return authorization, include all catalog numbers shown on the products.

HOW TO ORDER REPAIR PARTS

In order to obtain any needed repair or replacement parts, warranty service or technical information, please contact Marley Engineered Products Service Center toll-free by calling 1-800-642-HEAT.

When ordering repair parts, always give the information listed as follows:

1. The Part Number
2. The Model Number
3. The Part Description
4. Date of Manufacture

Part No. 5200-2329-003

ECR 35211

6/02



Marley
Engineered Products

An **SPX** Company

470 Beauty Spot Rd. East
Bennettsville, SC 29512 USA