



Marley
Engineered Products

Installation Instructions

RETAIN FOR FUTURE REFERENCE

Draft Barrier Heaters DB-L Series

CONTRACTOR

PLEASE READ AND FOLLOW THESE DIRECTIONS. LEAVE INSTALLATION INSTRUCTIONS FOR USER TO READ.

WARNING

FIRE, PERSONAL INJURY, OR HEATER MALFUNCTION MAY RESULT IN THE FOLLOWING PRECAUTIONS ARE NOT TAKEN:

When Installing Heater:

1. Disconnect all power to heater at main power panel before installing, servicing or performing any maintenance to heater.
2. Be sure power supply voltage is the same as the voltage rating on the nameplate of this heater.
3. Do not bypass, modify, or remove the thermal cutout.
4. All wiring must conform to this instruction sheet as well as all applicable national and local electric codes.
5. Do not install heater beneath electrical convenience receptacle.
6. Supply wiring must be rated minimum of 75 degrees C.
7. Do not install heater against paperboard, low density fiberboard, or vinyl surfaces.
8. If installed beneath wooden window sill, heater should be installed at least 12 inches below the sill.
9. Heater must be installed a minimum of 2 inches above the finished floor surface and a minimum of 12 inches beneath the finished ceiling.
10. Do not install directly under vinyl or plastic blinds.

When Using Heater:

1. Maintain the following clearances when using the heater with full length draperies.
 - A) Minimum 2-1/2 inches between bottom of drape and finished floor surface.
 - B) Minimum 2 inches between any part of heater and nearest fold of drape.
 - C) Minimum 1/2 inches between top of drape and finished ceiling.
2. Maintain clearance of 12 inches (minimum) between top of heater and bottom of drapes when using short drapes.
3. Maintain clearance of 12 inches (minimum) between surface of heater and any furniture.
4. Do not allow extension or power cords to come into contact with surface of heater.
5. Never store or use gasoline or other flammable vapors or liquids in the vicinity of the heater.
6. Do not block or impede the air flow in the heater in any manner.
7. Never insert anything into the heater.

To Install Single Unit

NOTE: Do not remove grille (12, Figure 1) during installation.

1. Remove left and right junction box covers (1) by removing screws (2).
2. Deflect spring clips (3) and lift front cover (4) off brackets (5). Carefully remove protective packing from element area.
3. Position heater at desired location on wall. Heater must be a minimum of 2" from top of floor covering and 12" below the finished ceiling.
4. Bring in power supply to selected knockout in junction box (6, Figure 2).

NOTE: Junction boxes are identical, permitting supply entry at either end.

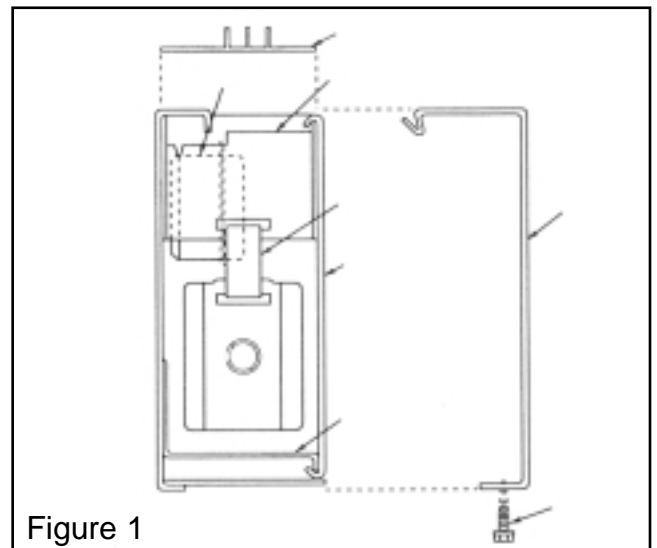


Figure 1

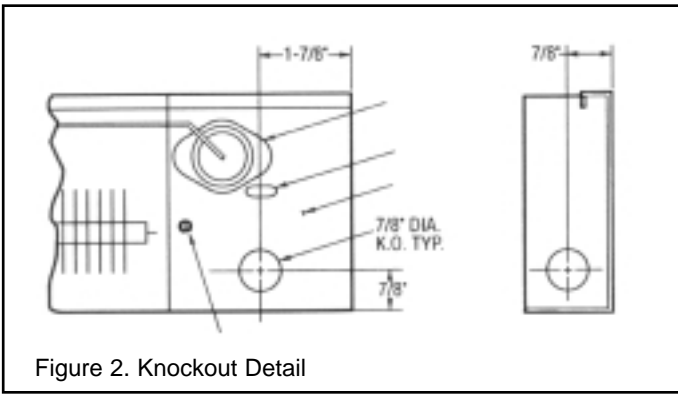


Figure 2. Knockout Detail

- Following wiring diagram, Figure 3, make electrical connections in junction box by removing wire nut from heater wires (8 & 9) and making electrical connection to supply wires. Connect ground wire to green grounding screw (7) in junction box.

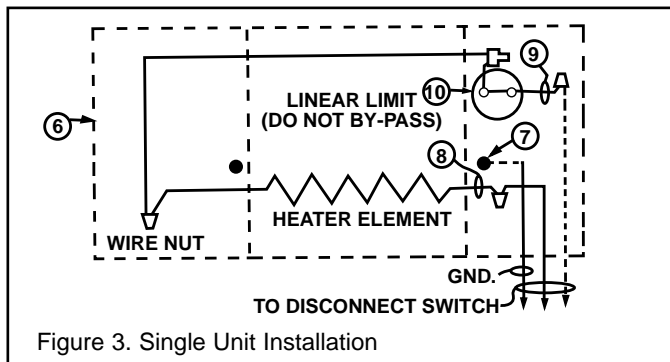


Figure 3. Single Unit Installation

- Fasten heater to wall, using the slotted mounting holes (11) located in each junction box. See Figure 2. The following ways of mounting heaters to common types of wall surfaces are suggested:
 - Plaster "walls": Use # 10 round head screws and screw anchors.
 - Wall studs: Use bigger or molly bolts.

Tighten screws and back off 1/2 turn to allow for heater expansion and contraction.
- Replace front cover and junction box covers.
- After installation, check heater to make sure return wire is not pinched between grille and back cover.

To Install Multiple Units

- The DB heater does not have an internal wire way. No more than two units can be wired as shown in Figure 4. If more than two heaters per circuit are desired, an external loop between sets must be provided.
- Position the two heaters end to-end on the wall. Refer to Single Unit installation instructions, Steps 1, 2, and 3.
- Bring power supply to either junction box. A or junction box () (see Figure 4), making electrical connections as shown. Connect ground wire to green grounding screw in junction box.

NOTE: Interconnecting wiring passing between units should pass through a chase nipple in mating knockouts.

- Fasten heater to wall using the slotted mounting holes (11) located in each junction box. See Figure 2. The following ways of mounting heaters to common types of wall surfaces are suggested:
 - Plaster walls: Use #10 round head screws and screw anchors.
 - Wall studs: Use toggle or molly bolts.

Tighten screws and back off 1/2 turn to allow for heater expansion and contraction.
- Replace front covers and junction box covers.
- After installation, check heater to make sure return wire is not pinched between grille and back cover.

WARNING

ALWAYS TURN OFF POWER TO HEATER AT MAIN SWITCH BEFORE CLEANING OR SERVICING.

Operating and Maintenance Instructions

Your heater will give you years of service and comfort with only minimum care. To assure efficient operation follow the simple instructions below.

TO CLEAN HEATER: Because of the convection heating principle which depends upon a circulation of air through the finned element, dust particles will periodically be deposited between the fins, and should be removed occasionally for maximum efficiency of the heater. With front cover removed, a vacuum cleaner with proper attachments can easily be worked along the top and bottom of the finned element to clear it of dust deposits.

CAUTION:

The baked enamel finish of the heater may be cleaned with a slightly damp rag if desired. For safety sake, be sure the current is off completely before doing this, by turning off main switch. However, do not use wax cleaners or polishes as these waxes may vaporize when the heater is in operation and cause discoloration.

TO REPAINT, IF DESIRED: The baked enamel finish was chosen to blend with interior decors. If you wish to repaint the heaters, use high quality house hold enamel. No primer is necessary. Do not use rubber base paint. Paint heater and front cover only. Do not paint heating element.

Service Notes

To Remove Heating Element:

Disconnect power at source, remove junction box covers (1, Figure 1), remove front cover (4), remove ground wire connections from grounding screw in wiring box and unhook the element support hooks (16) from element bracket (5), and remove element.

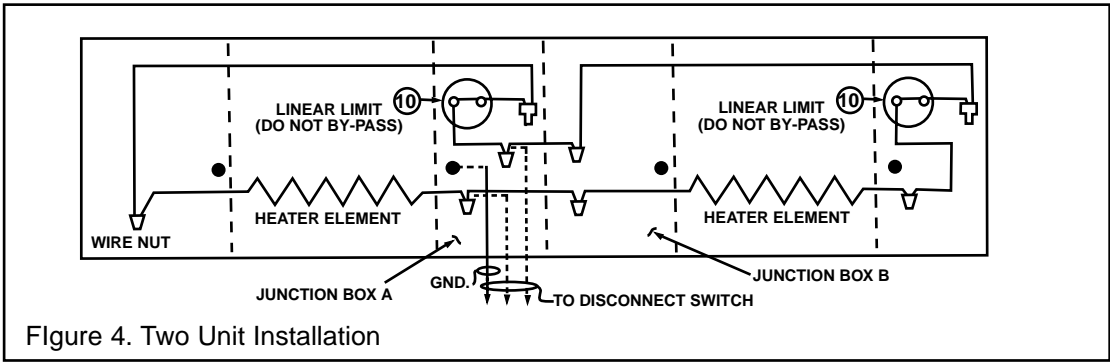


Figure 4. Two Unit Installation

Repair Parts Listing for Draft Barrier Heaters

Elements (188 Watts per Foot)	Model DB3 Watts 564	Model DB4 Watts 752	Model DB5 Watts 940
120V	301016957	301016959	301016961
208V	301016906	301016909	301016912
240V	301016948	301016949	301016950
277V	301016958	301016960	301016962
Front Cover	310124002P	310124003P	310124004P
Top Grille Assy	310817903	310817904	310817905
Linear Limit	410122003	410122004	410122005
Elements (100 Watts per Foot)	Model DB3 Watts 300	Model DB4 Watts 400	Model DB5 Watts 500
120V	301016969	301016973	301016977
208V	301016970	301016974	301016978
240V	301016971	301016975	301016979
277V	301016972	301016976	301016980
Front Cover	310124002P	310124003P	310124004P
Top Grille Assy	310817903	310817904	310817905
Linear Limit	410122003	410122004	410122005
Parts Common to All Models			
Terminal Box Cover	310527001		
Element Hanger Clip	402020000		

LIMITED WARRANTY

All products covered by this instruction sheet are warranted against defects in workmanship and materials for one year from date of installation, except heating elements which are warranted against defects in workmanship and materials for five years from date of installation. This warranty does not apply to damage from accident, misuse, or alteration; nor where the connected voltage is more than 5% above the nameplate voltage; nor to equipment improperly installed or wired or maintained in violation of this instruction sheet. All claims for warranty work must be accompanied by proof of the date of installation. The customer shall be responsible for all costs incurred in the removal or reinstallation of products, including labor costs, and shipping costs incurred to return products to a Marley Engineered Products Service Center. Within the limitations of this warranty, inoperative units should be returned to the nearest Marley authorized service center, or the Marley Engineered Products Service Center, and we will repair or replace, at our option, at no charge to you with return freight paid by Marley. It is agreed that such repair or replacement is the exclusive remedy available from Marley Engineered Products.

THE ABOVE WARRANTIES ARE IN LIEU OF ALL OTHER WARRANTIES EXPRESSED OR IMPLIED, AND ALL IMPLIED WARRANTIES OF MERCHANTABILITY AND FITNESS FOR A PARTICULAR PURPOSE WHICH EXCEED THE AFORESAID EXPRESSED WARRANTIES ARE HEREBY DISCLAIMED AND EXCLUDED FROM THIS AGREEMENT. MARLEY ENGINEERED PRODUCTS SHALL NOT BE LIABLE FOR CONSEQUENTIAL DAMAGES ARISING WITH RESPECT TO THE PRODUCT, WHETHER BASED UPON NEGLIGENCE, TORT, STRICT LIABILITY, OR CONTACT. Some states do not allow the exclusion or limitation of incidental or consequential damages, so the above exclusion or limitation may not apply to you. This warranty gives you specific legal rights and you may also have other rights which vary from state to state. For the address of your nearest authorized service center contact Marley Engineered Products, 470 Beauty Spot Road East, Bennettsville, South Carolina 29512 (801/479-9063). Merchandise returned to the factory must be accompanied by a return authorization and service identification tag, both available from the above location. When requesting return authorization, include all catalog numbers shown on the products.

HOW TO ORDER REPAIR PARTS

In order to obtain any needed repair or replacement parts, warranty service or technical information, please contact Marley Engineered Products Service Center, 470 Beauty Spot Road East, Bennettsville, SC 29512. Or call toll-free 1-800-642-HEAT.



Marley
Engineered Products

SPX Corporation
470 Beauty Spot Rd. East
Bennettsville, SC 29512 USA