

cULUS
FILE #E21609

MUH Series Modular Unit Heaters

Installation & Maintenance Instructions

Dear Owner,

Congratulations! Thank you for purchasing this new heater manufactured by Marley Engineered Products. You have made a wise investment selecting the highest quality product in the heating industry. Please carefully read and follow the installation and maintenance directions shown in this manual. You should enjoy years of efficient heating comfort with this product from Marley Engineered Products... the industry's leader in design, manufacturing, quality and service.

*... The Employees of
Marley Engineered Products*

WARNING

Read Carefully - These instructions are written to help you prevent difficulties that might arise during installation of heaters. Studying the instructions first may save you considerable time and money later. Observe the following procedures, and cut your mounting time to a minimum.

To reduce risk of fire or electric shock:

1. To prevent electrical shock, disconnect all power coming to heater at main service panel before wiring or servicing.
2. All wiring must be in accordance with the National and Local Electrical Codes and the heater must be grounded as a precaution against possible electric shock.
3. Verify the power supply voltage coming to heater matches the ratings printed on the heater name plate before energizing.
4. This heater is hot when in use. To avoid burns, do not let bare skin touch hot surfaces.

5. Do not insert or allow foreign objects to enter any ventilation or exhaust opening as this may cause an electric shock, fire, or damage to the heater.
6. To prevent a possible fire, do not block air intakes or exhaust in any manner. Keep combustible materials, such as crates, drapes, etc., away from heater. Do not install behind door, furniture, towels, or boxes.
7. A heater has hot and arcing or sparking parts inside. Do not use it in areas where gasoline, paint or flammable liquids are stored.
8. Use this heater only as described in this manual. Any other use not recommended by the manufacturer may cause fire, electric shock, or injury to persons.
9. This heater is not approved for use in corrosive atmospheres such as marine, green house or chemical storage areas.

SAVE THESE INSTRUCTIONS

IMPORTANT

CAUTION

THE HEATER MUST BE MOUNTED AT LEAST 7' (2134mm) ABOVE THE FLOOR TO PREVENT ACCIDENTAL CONTACT WITH THE FAN BLADE WHICH COULD CAUSE INJURY.

CAUTION

THE CEILING MOUNTING STRUCTURE AND THE ANCHORING PROVISIONS MUST BE OF SUFFICIENT STRENGTH TO SUPPORT THE COMBINED WEIGHT OF THE HEATER AND MOUNTING BRACKET. (SEE TABLE 4).

CAUTION

ALL BUILT-IN THERMOSTATS: IF THE HEATER IS USED TO PREVENT PIPING OR LIQUIDS FROM FREEZING, AND IF THE THERMOSTAT IS SET BELOW 45° F (7°C), THE FAN MUST RUN CONTINUOUSLY.

CAUTION

TO PREVENT POSSIBLE OVERHEATING OR DAMAGE DUE TO OVERHEATING, KEEP AT LEAST 5' (1524mm) CLEARANCE IN FRONT OF HEATER. REFER TO TABLE 1 FOR SIDE, TOP, AND BACK CLEARANCE REQUIREMENTS.

DO NOT MOUNT MERCURY TYPE THERMOSTAT DIRECTLY ON UNIT. VIBRATION COULD CAUSE HEATER TO MALFUNCTION.

MANUAL RESET LIMIT (FACTORY INSTALLED OPTION ONLY.) THE LIMIT SWITCH IS LOCATED INTERNALLY ON THE REAR OF THE HEATER. ON THE MUH03 AND MUH05 MODELS, THE ACCESS TO THE

RESET BUTTON IS ON THE RIGHT SIDE (WHEN FACING REAR OF HEATER); ON ALL OTHER MODELS IT IS NEAR THE TOP REAR OF THE HEATER.

THE MANUAL RESET LIMIT IS IN SERIES WITH THE AUTOMATIC RECYCLING PROTECTOR (LIMIT). THE MANUAL RESET LIMIT WILL NOT RESET UNTIL THE HEATER HAS COOLED AND THE BUTTON IS PUSHED IN.

HEATER LOCATION INSTRUCTIONS

Arrange units so their discharge air streams:

- are subjected to a minimum of interference from columns, machinery and partitions;
- wipe exposed walls without blowing directly at them;
- are directed away from room occupants in comfort heating;
- are directed along the windward side when installed in a building exposed to a prevailing wind.

Locate thermostats approximately 5' (1524mm) above the floor on interior partition walls or post away from cold drafts, internal heat sources and away from heater discharge air streams.

Small rooms can be heated by one unit heater.

Large rooms require multi-unit installations. Number and capacity of units will be determined by volume of building and square feet of floor area to be heated. Arrange units to provide perimeter air circulation where each unit supports the air stream from another.

MOUNTING THE HEATER

GENERAL

The heater may be mounted to discharge the heated air either horizontally or vertically. When the heater is mounted for vertical discharge, it is recommended that the heater be positioned so that the access door will open away from the wall to provide greater access to the wiring and control compartment. If the heater is to be mounted with the access door facing a wall, the heater must be mounted far enough from that wall to allow full opening of the access door (a distance approximately equal to the width of the heater ... check clearance before installing). Refer to Table 1 for wall and ceiling clearances before mounting heater.

The heater may be mounted for either vertical or horizontal discharge by the use of threaded rods. (Refer to Table 2 for threaded rod sizes required.) Observe the detailed procedures in the following installation instructions.

The heater may also be suspended from the wall or ceiling by means of an optional mounting bracket (type MMB or MCMB) which permits horizontal pivoting of the heater.

After the heater is installed, the louvers may be positioned

to direct the heated air in the desired direction. When the heater is installed for horizontal discharge, the louvers should direct the air either straight ahead or downward. Directing the air upward may cause the heated air to remain in the ceiling area and waste energy.

HORIZONTAL DISCHARGE (Rod-mount from Ceiling)

1. Install four threaded mounting rods in the threaded holes and secure in place using lock nuts. (See Table 2).
2. Securely attach the four mounting rods to the ceiling. (Refer to Table 1 for wall and ceiling clearances, and Table 2 for mounting rod spacing).

Table 1. Wall and Ceiling Clearance, inches (mm)

Unit	Discharge	Ceiling	Side Wall	Back Wall
3 & 5 kW	Horiz.	2 (50.8)	6 (152.4)	9 (228.6)
	Vert.	6 (152.4)	18 (457.2)	18 (457.2)
7.5 to 10 kW	Horiz.	6 (152.4)	6 (152.4)	13 (330.2)
	Vert.	6 (152.4)	24 (609.6)	24 (609.6)
15 to 10 kW	Horiz.	6 (152.4)	9 (228.6)	12 ¹ / ₂ (317.5)
	Vert.	6 (152.4)	24 (609.6)	24 (609.6)
25 to 50 kW	Horiz.	16 (406.4)	12 (304.8)	18 ¹ / ₂ (470.0)
	Vert.	12 (304.8)	39 (914.4)	39 (914.4)

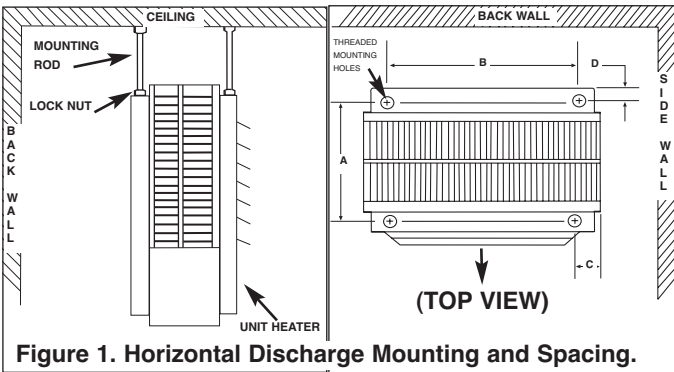


Figure 1. Horizontal Discharge Mounting and Spacing.

Table 2. Rod Thread and Spacing Dimensions, inches (mm) for Horizontal Discharge

Unit	Rod Thread Type	A	B	C	D
3 - 5 kW	5/16 - 18	6 ¹ / ₁₆ (153.9)	6 (152.4)	4 ¹ / ₁₆ (103.1)	3/4 (19.0)
7.5 - 10 kW		11 ³ / ₈ (289.0)	8 ⁷ / ₈ (225.6)	5 ¹ / ₈ (130.3)	3/4 (19.0)
15 - 20 kW					
25 - 30 kW	3/8 - 16	10 ⁹ / ₁₆ (268.2)	14 - 12 (368.3)	6 ³ / ₁₆ (157.2)	5/8 (16.0)
40 - 50 kW		15 ¹⁵ / ₁₆ (404.9)	14 - 12 (368.3)	6 ³ / ₁₆ (157.2)	5/8 (16.0)

VERTICAL DISCHARGE (Rod-Mount from Ceiling)

1. Remove bolts from the threaded holes in the back of the heater.

2. Install four threaded mounting rods in the threaded holes and secure in place using lock nuts.
3. Securely attach the four mounting rods to the ceiling. (Refer to Table 1 for wall and ceiling clearances, and Table 3 for mounting rod spacing dimensions.)

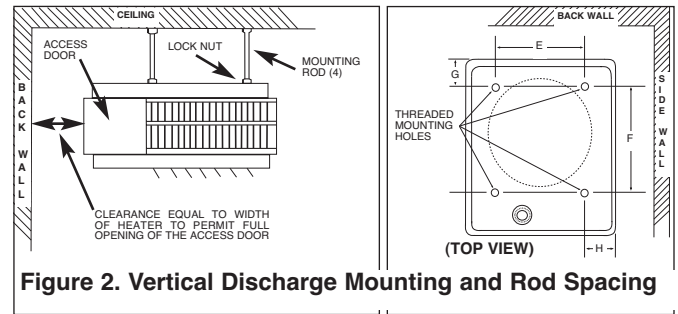


Figure 2. Vertical Discharge Mounting and Rod Spacing

Table 3. Rod Thread Type and Spacing Dimensions, inches (mm) for Vertical Discharge

Unit	Rod Thread Type	E	F	G	H
3 - 5 kW	5/16 - 18	6 (152.4)	9 ³ / ₄ (247.7)	2 (50.8)	4 ¹ / ₁₆ (103.1)
7.5 - 20 kW		8 ⁷ / ₈ (225.6)	14 ⁵ / ₈ (371.6)	2 (50.8)	5 ¹ / ₈ (130.3)
25 - 30 kW	3/8 - 16	14 ¹ / ₂ (368.3)	21 ¹ / ₄ (539.8)	2 ³ / ₁₆ (56.0)	6 ³ / ₁₆ (157.2)

WIRING BRANCH CIRCUIT (POWER)

1. Connect heater only to the voltage, amperage and frequency specified on the nameplate.
2. Field wiring must be properly sized to carry the amperage in accordance with the NEC.
3. The access door is hinged. There are either one or two screws accessible from the side that must be loosened to gain access. These screws are the captive type; do not try to remove them.
4. A knockout is provided in the back of the heater close to the power terminal block and the control terminal board. The control terminal board knockout is 1/2 inch (12.7 mm) conduit size. The power terminal block knockout is multiple diameter. Use the diameter that fits the required conduit size.
5. A ground terminal is provided near the power terminal board. The ground wire should be connected before other connections are made.
6. The power terminal block is equipped with box terminals sized to accept the correct size power supply wire. Branch circuit wire rated min 600V, 60° C is acceptable for heaters rated up to 80 amps. For heaters rated more than 80 amps, branch circuit wire must be rated at least 75°C. Either aluminum or copper wire is satisfactory for connection to the heater power terminal block box terminal. Copper wire is recommended and must be used with built-in disconnect switch.

7. Each heater has a wiring diagram affixed to the inside of the access door. Consult this diagram before making any field connections.
8. Single or three-phase power connections may be used with heater models MUH0521, MUH0581, MUH072, MUH078, MUH102, MUH108, and MUH158. These units are factory wired for single-phase operation. If these heaters are for use with three-phased power, reconnect the wires as indicated in the wiring diagram attached to the heater. Additional information can be found by looking at the wiring illustrations in Figures 3a and 3b and following the directions shown below.

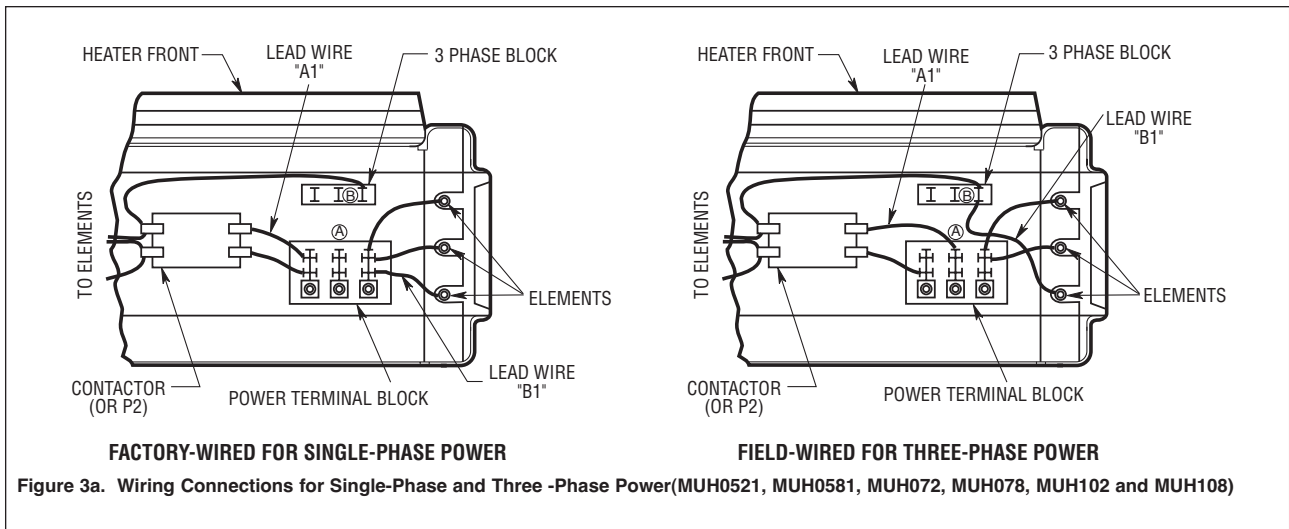
On models MUH0521, MUH0581, MUH072, MUH078, MUH102, and MUH108 (Figure 3a), move only the two wires marked "A1" and marked "B1"; do not move or change any other wiring. The element lead wire marked "B1" which is factory connected to the power terminal block (terminal located closest to the elements) must be moved to terminal "B" on the three-phase terminal block.

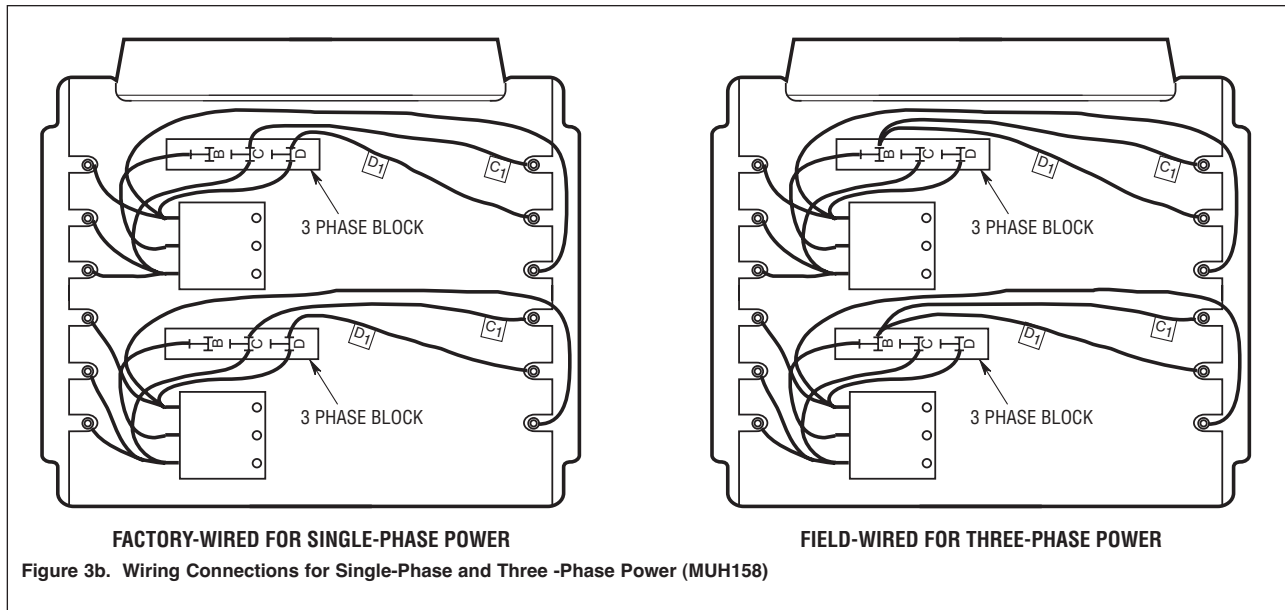
The relay (contactor) lead wire "A1" must be moved from the end terminal of the power terminal block (terminal closest to the contactor or control terminal board) to the "A" terminal of the lower terminal block (center terminal).

Model MUH158 (Figure 3b) has two three-phase terminal blocks located adjacent to the relays (contactors). Move only the two wires marked "C1" and "D1" on each of these two three-phase terminal blocks to terminal "B". Do not move or change any other wires.

9. Electrical Accessories, either kits or factory-installed options, are shown connected by a dash line on the heater wiring diagram.

10. **208/240 VOLT HEATER.** Interchange transformer red and black primary leads (see wiring diagram) when the heater is to be connected to 208 volts supply.





CONTROL WIRING

!
⚡
WARNING

LINE VOLTAGE IS PRESENT ON SOME OF THE TERMINALS ON THE CONTROL TERMINAL BOARD. ALWAYS DISCONNECT THE POWER FROM THE HEATER BEFORE MAKING ANY CONNECTIONS TO THE CONTROL BOARD TO PREVENT ELECTRIC SHOCK HAZARD.

1. Use min. 600 volts, NEC Class 1 insulated wire for all control circuit wiring.
2. Use a crimp-on type fork terminal on the wire ends that attach to the control terminal board if more than one connection is to be made under the terminal screw.
3. On units not provided with internal contactor (3 & 5 KW), refer to Figure 4 for wiring diagram.

Note: Thermostat and control circuit wiring must be suitable to handle the full load of the heater (example MUH0581 is rated 24 amps)

4. On units provided with internal contactor (units rated 7 KW and higher) refer to Figure 5 for wiring diagram. Control wiring must be rated minimum 18 AWG.

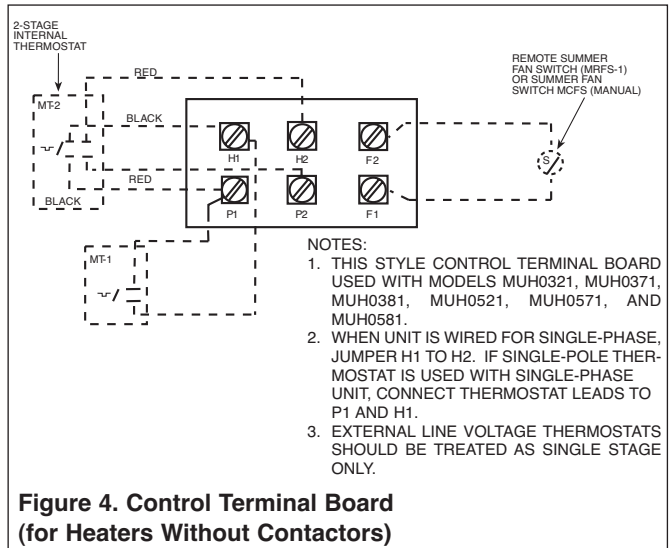
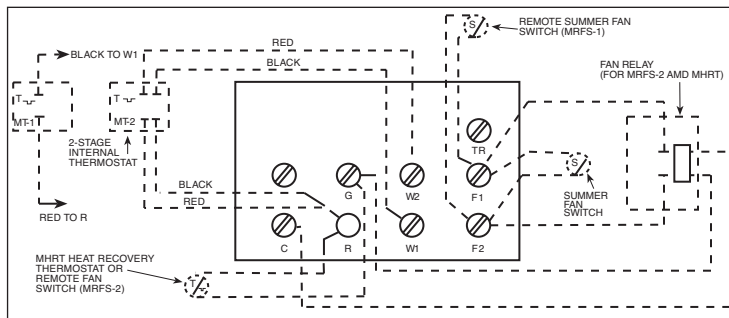


Table 4. Specifications

Basic Model No.	Height in. (mm)	Width in. (mm)	Depth in. (mm)	Mounting Weight lbs. (kg)	Wiring Compartment Volume				
MUH0381	16 (406.4)	14 (355.6)	7 1/2 (190.5)	27 (12.2)	90 in ³ (14.70 cm ³)				
MUH0321				27 (12.2)					
MUH0371				27 (12.2)					
MUH0341				30 (13.6)					
MUH0581				27 (12.2)					
MUH0521				27 (12.2)					
MUH0571				27 (12.2)					
MUH0541				30 (13.6)					
MUH0331				30 (13.6)					
MUH0361				30 (13.6)					
MUH0531				30 (13.6)					
MUH0561				30 (13.6)					
MUH078				21 3/4 (552.5)		19 (482.6)	7 1/2 (190.5)	38 (17.2)	100 in ³ (1639 cm ³)
MUH072								38 (17.2)	
MUH077	38 (17.2)								
MUH074	38 (17.2)								
MUH108	38 (17.2)								
MUH102	38 (17.2)								
MUH107	38 (17.2)								
MUH104	38 (17.2)								
MUH073	38 (17.2)								
MUH076	38 (17.2)								
MUH103	38 (17.2)								
MUH106	38 (17.2)								
MUH158	21 3/4 (552.5)	19 (482.6)	12 3/4 (323.9)		54 (24.5)			140 in ³ (2295 cm ³)	
MUH152					50 (22.7)				
MUH154				50 (22.7)					
MUH208				60 (27.2)					
MUH202				55 (24.9)					
MUH204				55 (24.9)					
MUH156				55 (24.9)					
MUH206				55 (24.9)					
MUH252				30 (76.2)	26 5/8 (676.4)	11 3/4 (298.5)	89 (40.4)		504 in ³ (8260 cm ³)
MUH254							89 (40.4)		
MUH308	89 (40.4)								
MUH302	89 (40.4)								
MUH304	89 (40.4)								
MUH256	89 (40.4)								
MUH306	89 (40.4)								
MUH402	30 (76.2)	26 5/8 (676.4)	17 1/4 (435.1)	119 (54.0)	648 in ³ (10620 cm ³)				
MUH404				119 (54.0)					
MUH508				119 (54.0)					
MUH502				119 (54.0)					
MUH504				119 (54.0)					
MUH406				119 (54.0)					
MUH506				119 (54.0)					

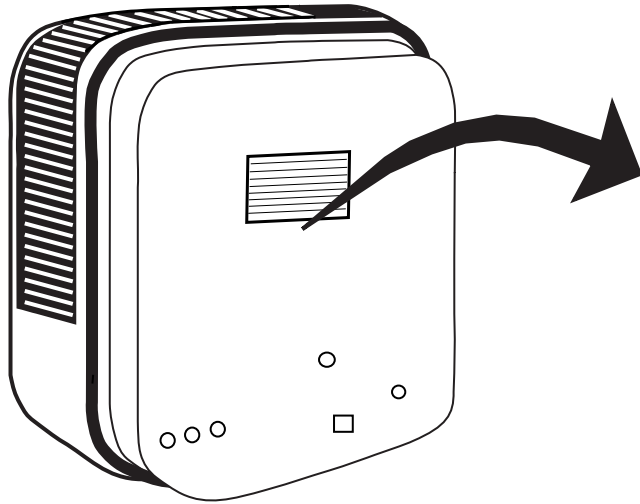


NOTES:

1. THIS STYLE CONTROL TERMINAL BOARD USED WITH MODELS EXCEPT MUH0321, MUH0371, MUH0381, MUH0521, MUH0571, AND MUH0581.
2. REMOVE JUMPER W1 TO W2 WHEN 2-STAGE THERMOSTAT IS USED.
3. ONLY ONE OF THESE ACCESSORIES MAY BE INSTALLED IN A SINGLE HEATER.
4. EXTERNAL LINE VOLTAGE THERMOSTATS SHOULD BE TREATED AS SINGLE STAGE ONLY.

Figure 5. Control Terminal Board (for Heaters With Contactors)

IMPORTANT INFORMATION



NAMEPLATE

MODEL NO. MFG. NO.	MUH0321			DATE CODE	0395
VOLTS AC 60 HZ	KILOWATTS	PHASE	MIN. SUPPLY CIR. AMPACITY		
208 / 240	2.2 / 3	1			
MAX. FUSE	MOTOR	CONTROLS	CUSTOMER NO		
	VAC	AMP	VAC		
	208/240	.25	208/240		
AIR	MINIMUM MOUNTING CLEARANCE				
FLOW	SIDE	BACK	CEILING	FLOOR	
HORIZ.	6"	9.5"	2"	7'	
VERT.	18"	18"	6"	7'	

WARNING: DO NOT TURN LOUVERS ABOVE LEVEL OF THE UNIT. DISCONNECT POWER BEFORE SERVICING. IF EXTERNAL CONTROL IS USED, ALSO DISCONNECT EXTERNAL POWER SUPPLY.

NE PAS RELEVER LES LAMES AU-DEL À DU NIVEAU PREVU DE L'APPAREIL. METTRE HORS TENSION AVANT DE PROCEDER A L'ENTRETIEN. SI UNE COMMANDE EXTERNE EST UTILISEE, COUPER AUSSE L'ALIMENTATION EXTERNE. ASSURER UN DEGAGEMENT D'AU MOINS 6 PI ENTRE L'APPAREIL DE CHAUFFAGE ET LEPLANCHER.

MARLEY ENGINEERED PRODUCTS
BENNETTSTVILLE, SC 29512



774G LISTED
AIR HEATER

4104-0275-036

LIMITED WARRANTY

All products manufactured by Marley Engineered Products are warranted against defects in workmanship and materials for one year from date of installation, except heating elements which are warranted against defects in workmanship and materials for five years from date of installation. This warranty does not apply to damage from accident, misuse, or alteration; nor where the connected voltage is more than 5% above the name-plate voltage; nor to equipment improperly installed or wired or maintained in violation of the product's installation instructions. All claims for warranty work must be accompanied by proof of the date of installation.

The customer shall be responsible for all costs incurred in the removal or reinstallation of products, including labor costs, and shipping costs incurred to return products to Marley Engineered Products Service Center. Within the limitations of this warranty, inoperative units should be returned to the nearest Marley authorized service center or the Marley Engineered Products Service Center, and we will repair or replace, at our option, at no charge to you with return freight paid by Marley. It is agreed that such repair or replacement is the exclusive remedy available from Marley Engineered Products.

THE ABOVE WARRANTIES ARE IN LIEU OF ALL OTHER WARRANTIES EXPRESSED OR IMPLIED AND ALL IMPLIED WARRANTIES OF MERCHANTABILITY AND FITNESS FOR A PARTICULAR PURPOSE WHICH EXCEED THE AFORESAID EXPRESSED WARRANTIES ARE HEREBY DISCLAIMED AND EXCLUDED FROM THIS AGREEMENT. MARLEY ENGINEERED PRODUCTS SHALL NOT BE LIABLE FOR CONSEQUENTIAL DAMAGES ARISING WITH RESPECT TO THE PRODUCT, WHETHER BASED UPON NEGLIGENCE, TORT, STRICT LIABILITY, OR CONTRACT.

Some states do not allow the exclusion or limitation of incidental or consequential damages, so the above exclusion or limitation may not apply to you. This warranty gives you specific legal rights, and you may also have other rights which vary from state to state.

For the address of your nearest authorized service center, contact Marley Engineered Products in Bennettsville, SC, at 1-800-642-4328. Merchandise returned to the factory must be accompanied by a return authorization and service identification tag, both available from Marley Engineered Products. When requesting return authorization, include all catalog numbers shown on the products.

HOW TO OBTAIN WARRANTY SERVICE AND WARRANTY PARTS PLUS GENERAL INFORMATION

- | | |
|--------------------------------|--|
| 1. Warranty Service or Parts | 1-800-642-4328 |
| 2. Purchase Replacement Parts | 1-800-654-3545 |
| 3. General Product Information | www.marlymep.com |

Note: When obtaining service always have the following:

1. Model number of the product
2. Date of manufacture
3. Part number or description



Marley
Engineered Products
An **SPX** Company

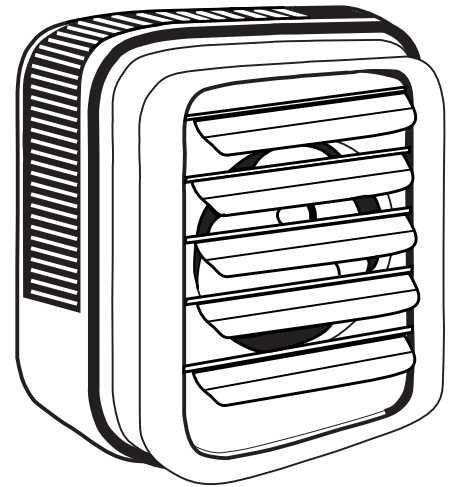
470 Beauty Spot Rd. East
Bennettsville, SC 29512 USA

ECR 36699

9/06

8

Part No. 5200-0722-011



EXPEDIENTE No. E21609

Serie MUH

Unidades de Calentadores Modulares

Instrucciones de Instalación y Mantenimiento

Estimado propietario:

¡Felicitaciones! Gracias por comprar este nuevo calentador fabricado por Marley Engineered Products. Usted ha efectuado una sabia inversión al seleccionar el producto de la más alta calidad en la industria de calefacción. Por favor lea cuidadosamente las instrucciones de instalación y mantenimiento indicadas en este manual. Usted debería gozar de años de calefacción eficiente con este producto de Marley Engineered Products...el líder de la industria en diseño, fabricación, calidad y servicio.

*...Los empleados de
Marley Engineered Products*



ADVERTENCIA



Lea cuidadosamente - Estas instrucciones están escritas para ayudarle a prevenir dificultades que podrían surgir durante la instalación de los calentadores. El estudiar primero las instrucciones puede ahorrarle un tiempo considerable y dinero después. Observe los procedimientos siguientes, y reduzca a un mínimo su tiempo de instalación.

Para reducir el riesgo de incendio o choque eléctrico:

1. Antes de cablear o prestar servicio y para prevenir el choque eléctrico, desconecte la potencia entrante al calentador por el panel principal de servicio.
2. Todo el cableado debe conformar con los códigos eléctricos nacionales y locales, y el calentador debe estar conectado a tierra como precaución contra un choque eléctrico posible.
3. Antes de activar, verifique que el voltaje del suministro de potencia entrante al calentador corresponda a las clasificaciones principales impresas en la placa de nombre.
4. Este calentador está caliente durante el uso. Para evitar quemaduras, no permita que la piel expuesta toque las superficies calientes.
5. No inserte ni permita que objetos extraños entren a ninguna apertura de ventilación o escape ya que esto puede causar un choque eléctrico, incendio o daños al calentador.
6. No bloquee de ninguna manera las tomas de aire o los escapes, para prevenir un posible incendio. Mantenga los materiales combustibles, tales como cajas de madera, cortinas, etc. alejados del calentador. No instale detrás de puertas, muebles, toallas, o cajas.
7. Un calentador tiene adentro piezas calientes y productoras de arcos eléctricos o de chispas. No use en áreas donde estén almacenados gasolina, pintura o líquidos inflamables.
8. Use este calentador solo de la manera descrita en este manual. Cualquier otro uso no recomendado por el fabricante puede causar incendio, choque eléctrico, o lesiones a las personas.
9. Este calentador no está aprobado para usar en atmósferas corrosivas tales como de mar, invernaderos o áreas de almacenamiento de productos químicos.

GUARDE ESTAS INSTRUCCIONES

IMPORTANTE

PRECAUCION

EL CALENTADOR DEBE SER INSTALADO POR LO MENOS 7'(2134 mm) SOBRE EL PISO PARA PREVENIR QUE EL CONTACTO ACCIDENTAL CON LAS HOJAS DEL ABANICO PUEDA CAUSAR LESIONES.

PRECAUCION

LA ESTRUCTURA DE MONTAJE EN EL TECHO Y LAS PROVISIONES PARA SU ASEGURAMIENTO DEBEN SER LO SUFICIENTEMENTE FUERTES PARA SOPORTAR EL PESO COMBINADO DEL CALENTADOR Y DEL SOPORTE DE MONTAJE. (VEA TABLA 4).

NO INSTALE TERMOSTATOS DE MERCURIO DIRECTAMENTE EN LA UNIDAD. LA VIBRACION PUEDE CAUSAR FALLAS EN EL CALENTADOR.

LIMITE DE REPOSICIONAMIENTO MANUAL (OPCION INSTALADA EN LA FABRICA SOLAMENTE.) EL INTERRUPTOR DE LIMITE ESTA COLOCADO INTERNAMENTE EN LA PARTE TRASERA DEL CALENTADOR. EN LOS MODELOS MUH03 Y MUH05, EL ACCESO AL BOTON DE REPOSICIONAMIENTO

PRECAUCION

TODOS LOS TERMOSTATOS INCORPORADOS: SI EL CALENTADOR ES UTILIZADO PARA PREVENIR QUE TUBERIAS O LIQUIDOS SE CONGELAN, Y SI EL TERMOSTATO SE AJUSTA A MENOS DE 45°F (7°C), EL ABANICO DEBE DE FUNCIONAR CONTINUAMENTE.

PRECAUCION

PARA PREVENIR POSIBLE SOBRECALENTAMIENTO O DAÑOS POR SOBRECALENTAMIENTO, MANTENGA UN ESPACIO MINIMO DE 5' (1524 mm) EN LA PARTE FRONTAL DEL CALENTADOR. REFIERASE A LA TABLA 1 PARA LOS REQUERIMIENTOS DE ESPACIO A LOS LADOS, ARRIBA Y ABAJO.

EL BOTON DE REPOSICIONAMIENTO ESTA A LA DERECHA (OBSERVANDO AL CALENTADOR DESDE ATRAS); EN TODOS LOS DEMAS MODELOS, EL BOTON ESTA CERCA DE LA PARTE SUPERIOR TRASERA DEL CALENTADOR.

EL LIMITE DE REPOSICIONAMIENTO MANUAL ESTA EN SERIE CON EL PROTECTOR DE RECICLAJE AUTOMATICO (LIMITE). EL LIMITE DE REPOSICIONAMIENTO MANUAL NO VA A REPOSICIONAR HASTA QUE EL CALENTADOR SE HAYA ENFRIADO Y EL BOTON SEA PRESIONADO.

INSTRUCCIONES PARA UBICAR EL CALENTADOR

Coloque las unidades de manera tal que las corrientes de aire de descarga:

- sean sujetas a un mínimo de interferencia por columnas, maquinaria y particiones;
- contacten las paredes expuestas sin soplar directamente a ellas;
- no se dirijan directamente a los ocupantes de un cuarto en calor confortable;
- estén dirigidas barlovento cuando son instaladas en edificios expuestos a vientos imperantes.

Ubique los termostatos aproximadamente a 5' (1524 mm) sobre el piso, en paredes de división interior o postes lejos de corrientes de aire frías, fuentes internas de calor y lejos de corrientes de aire de descarga de calentadores.

Cuartos pequeños pueden ser calentados por un solo calentador.

Cuartos grandes requieren de la instalación de varias unidades. El número y la capacidad de las unidades serán determinados con base en el volumen del edificio y la dimensión, en pies cuadrados, del área de piso que va a ser calentada. Coloque las unidades de manera tal que el aire circule en forma circular cuando cada unidad coopera con la corriente de aire de otra unidad.

COMO INSTALAR EL CALENTADOR

GENERAL

El calentador puede ser instalado para que descargue el aire caliente vertical u horizontalmente. Cuando el calentador es instalado para que descargue verticalmente, se recomienda que el calentador sea ubicado de manera tal que la puerta de acceso abra hacia el lado contrario de la pared, para permitir mayor acceso al compartimiento de control y cableado. Si el calentador va a ser instalado con la puerta de acceso mirando hacia la pared, el calentador debe ser instalado con suficiente espacio, que permita que la puerta de acceso pueda abrirse en su totalidad (una distancia aproximadamente igual al ancho del calentador ... confirme el espacio antes de la instalación). Refiérase a la Tabla 1 para los espacios en el techo y la pared antes de instalar el calentador.

El calentador puede ser instalado para descarga vertical u horizontal mediante el uso de varillas con rosca. (Refiérase a la Tabla 2 para los tamaños de varilla con rosca requeridos). Observe los procedimientos en forma detallada en las siguientes instrucciones para la instalación.

El calentador también puede ser suspendido desde la pared o techo con la ayuda de un soporte de montaje opcional (tipo MMB o MCMB), el cual permite que el calentador gire horizontalmente.

Luego de que el calentador ha sido instalado, las persianas pueden ser colocadas para dirigir el aire caliente en la dirección deseada.

Cuando el calentador ha sido instalado para descarga horizontal, las persianas deben dirigir el aire ya sea hacia el frente o hacia abajo. Dirigir el aire hacia arriba puede causar que el aire caliente se quede en el área del techo, lo que es un desperdicio de energía.

DESCARGA HORIZONTAL

(Instalado con varillas desde el techo)

1. Instale cuatro varillas de montaje con rosca en los huecos con rosca y asegure utilizando tuercas de seguridad. (Vea Tabla 2).
2. Pegue firmemente las cuatro varillas de montaje al techo. (Refiérase a la Tabla 1 para los espacios de las paredes y el techo y a la Tabla 2 para la separación entre varillas de montaje).

Tabla 1. Espacios de pared y techo, en pulgadas (mm)

Unidad	Descarga	Techo	Pared Lateral	Pared Trasera
3 & 5 kW	Horiz.	2 (50.8)	6 (152.4)	9 (228.6)
	Vert.	6 (152.4)	18 (457.2)	18 (457.2)
7.5 to 10 kW	Horiz.	6 (152.4)	6 (152.4)	13 (330.2)
	Vert.	6 (152.4)	24 (609.6)	24 (609.6)
15 to 10 kW	Horiz.	6 (152.4)	9 (228.6)	12 ¹ / ₂ (317.5)
	Vert.	6 (152.4)	24 (609.6)	24 (609.6)
25 to 50 kW	Horiz.	16 (406.4)	12 (304.8)	18 ¹ / ₂ (470.0)
	Vert.	12 (304.8)	39 (914.4)	39 (914.4)

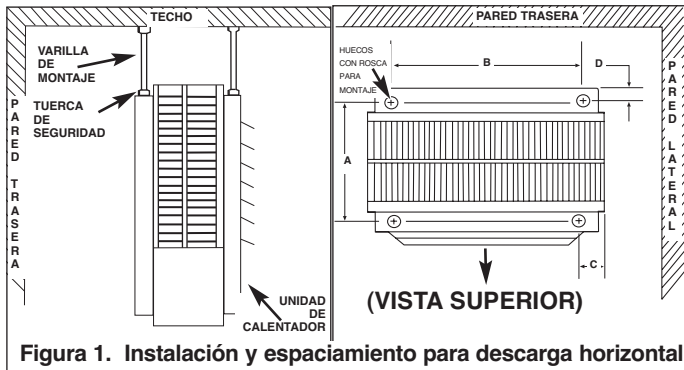


Figura 1. Instalación y espaciado para descarga horizontal

Tabla 2. Rosca de varilla y dimensiones de espaciado, en pulgadas (mm), para descarga horizontal

Unidad	Tipo de rosca de varilla	A	B	C	D
3 - 5 kW	5/16 - 18	6 ¹ / ₁₆ (153.9)	6 (152.4)	4 ¹ / ₁₆ (103.1)	3/4 (19.0)
7.5 - 10 kW		11 ³ / ₈ (289.0)	8 ⁷ / ₈ (225.6)	5 ¹ / ₈ (130.3)	3/4 (19.0)
15 - 20 kW		10 ⁹ / ₁₆ (268.2)	14 - 12 (368.3)	6 ³ / ₁₆ (157.2)	5/8 (16.0)
25 - 30 kW	3/8 - 16	15 ¹⁵ / ₁₆ (404.9)	14 - 12 (368.3)	6 ³ / ₁₆ (157.2)	5/8 (16.0)
40 - 50 kW					

DESCARGA VERTICAL

(Instalado con varilla desde el techo)

1. Remueva los tornillos de los huecos con rosca en la parte trasera del calentador.

2. Instale cuatro varillas de montaje con rosca en los huecos con rosca y asegure utilizando tuercas de seguridad.
3. Pegue firmemente las cuatro varillas de montaje al techo. (Refiérase a la Tabla 1 para los espacios de las paredes y el techo y a la Tabla 3 para la separación entre varillas de montaje).

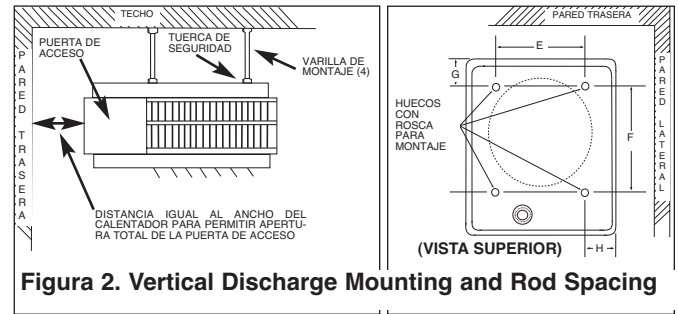


Figura 2. Vertical Discharge Mounting and Rod Spacing

Tabla 3. Tipos de rosca de varilla y dimensiones de espaciado, en pulgadas (mm), para descarga vertical

Unidad	Tipo de rosca de varilla	E	F	G	H
3 - 5 kW	5/16 - 18	6 (152.4)	9 ³ / ₄ (247.7)	2 (50.8)	4 ¹ / ₁₆ (103.1)
7.5 - 20 kW		8 ⁷ / ₈ (225.6)	14 ⁵ / ₈ (371.6)	2 (50.8)	5 ¹ / ₈ (130.3)
25 - 30 kW	3/8 - 16	14 ¹ / ₂ (368.3)	21 ¹ / ₄ (539.8)	2 ³ / ₁₆ (56.0)	6 ³ / ₁₆ (157.2)

CABLEADO

CIRCUITO DERIVADO (ALIMENTACION)

1. Conecte el calentador solo al voltaje, amperaje y frecuencia especificadas en la placa del fabricante.
2. El tamaño del cableado de campo debe ser el apropiado para el amperaje que se va a movilizar, de acuerdo al NEC.
3. La puerta de acceso tiene bisagras. Existen uno o dos tornillos, accesibles desde el lado, que deben de ser aflojados para acceder. Estos tornillos son cautivos, no trate de sacarlos totalmente.
4. Se provee un agujero en la parte de atrás del calentador, cerca del bloque de terminales de alimentación y de la tarjeta de terminales de control. El agujero de la tarjeta de terminales de control es del tamaño de una tubería eléctrica de 1/2 pulgada (12.7 mm). El agujero del bloque de terminales de alimentación sirve para varios diámetros. Utilice el diámetro que calza con el tamaño de la tubería eléctrica.
5. Se provee de una terminal tierra cerca de la tarjeta de terminales de alimentación. El cable tierra debe ser conectado antes de que cualquier otra conexión se lleve a cabo.
6. El bloque de terminales de la energía se equipa de los terminales de la caja clasificados para aceptar el alambre correcto de la fuente de alimentación del tamaño. El circuito minuto clasificado alambre 600V, 60° C del rama es aceptable para los calentadores clasificados hasta 80 amperios. Para los calentadores clasificados más de 80 amperios, ramifica el alambre del circuito debe ser por lo menos 75°C clasificado. El aluminio o el alambre del cobre es satisfactorio para la conexión al terminal de la caja del bloque de terminales de la energía del calentador. El alambre de cobre se recomienda y se debe utilizar con el interruptor incorporado de la desconexión.

7. Cada calentador tiene un diagrama de cableado pegado en la parte interior de la puerta de acceso. Consulte este diagrama antes de hacer cualquier conexión de campo.
8. Para los calentadores modelo MUH0521, MUH0581, MUH072, MUH078, MUH102, MUH108 y MUH158 se pueden utilizar conexiones de alimentación tri-fásicas o mono-fásicas. Estas unidades son cableadas de fábrica para operación mono-fásica. Si los calentadores se van a utilizar con alimentación tri-fásica, reconecte los cables tal y como es indicado en el diagrama de cableado pegado al calentador. Información adicional puede ser encontrada en las ilustraciones de cableado en las Figuras 3a y 3b y siguiendo las indicaciones presentadas a continuación.

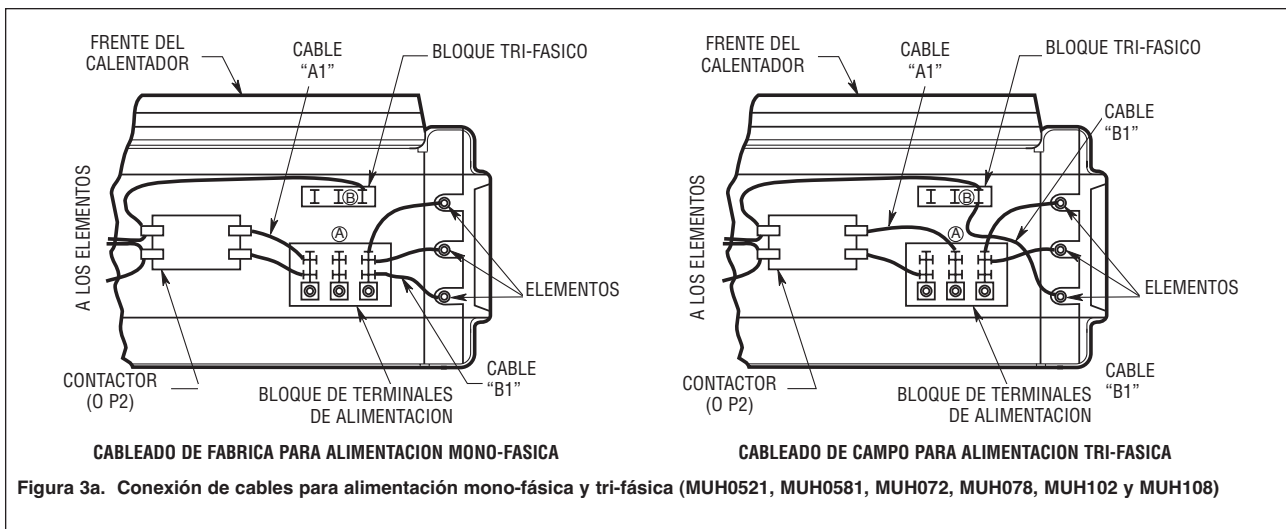
En los modelos MUH0521, MUH0581, MUH072, MUH078, MUH102 y MUH108 (Figura 3a) mueva solamente los dos cables marcados con "A1" y "B1", no mueva o cambie ningún otro cable. El cable del elemento marcado "B1", el cual es el cable conectado de fábrica, al bloque de terminales de alimentación (terminal localizada más cerca de los elementos) debe ser movido a la terminal "B" en el bloque de terminales tri-fásico. El cable relé (contactor) "A1" debe ser movido de la terminal final del bloque de terminales de alimentación (terminal más cercana al contactor o tarjeta de terminales de control) a la ter-

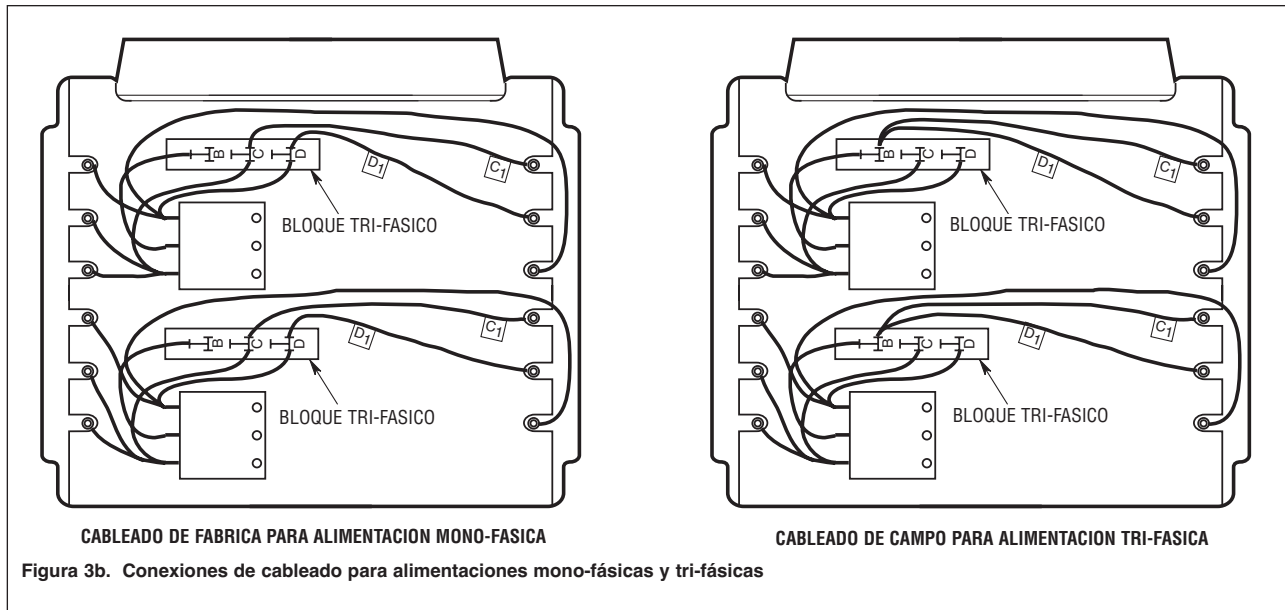
minal "A" del bloque de terminales inferior (terminal central). El modelo MUH158 (Figura 3b) tiene dos bloques de terminales tri-fásicos colocados a la par de los relés (contactores). Mueva solamente los dos cables marcados "C1" y "D1" en cada uno de esos bloques de terminales tri-fásicos a la terminal "B". No mueva o cambie ningún otro cable.

El modelo MUH158 (Figura 3b) tiene dos bloques de terminales tri-fásicos colocados a la par de los relés (contactores). Mueva solamente los dos cables marcados "C1" y "D1" en cada uno de esos bloques de terminales tri-fásicos a la terminal "B". No mueva o cambie ningún otro cable.

9. Accesorios eléctricos, ya sea juegos u opciones instaladas de fábrica, se presentan conectados por una línea de rayas en el diagrama de cableado del calentador.

10. **CALENTADOR DE 208/240 VOLTIOS.** Intercambie los cables primarios negro y rojo del transformador (vea diagrama de cableado) cuando el calentador vaya a ser conectado a una fuente de 208 voltios.





CABLEADO DE CONTROL



ALGUNAS DE LAS TERMINALES EN LA TARJETA DE TERMINALES DE CONTROL PUEDEN PRESENTAR VOLTAJE DE LINEA. SIEMPRE DESCONECTE LA ALIMENTACION DEL CALENTADOR ANTES DE HACER CUALQUIER CONEXION A LA TARJETA DE CONTROL PARA PREVENIR EL PELIGRO DE CHOQUES ELECTRICOS.

1. Utilice alambre insulated de 600 voltios minimo, Clase 1 NEC para todos los circuitos de control.
2. Use una terminal de horquilla en el extremo del cable que se pega a la tarjeta de terminales de control MUH si se debe hacer más de una conexión en el tornillo de la terminal.
3. las unidades que no incluyen contactor interno (3 & 5 kW), refiere a la figura 4 para el diagrama electrico.

Nota: los alambres del termostato y el circuito de control deben ser capaz demantener la corriente del calentador (Ejemplo MUH0581 24 amperos)

4. En las unidades que si incluyen contactor interno (7 kW y mas) refiere a la figura 5 para el diagrama electrico. El alambre del circuito de control deber ser minimo 18 AWG.

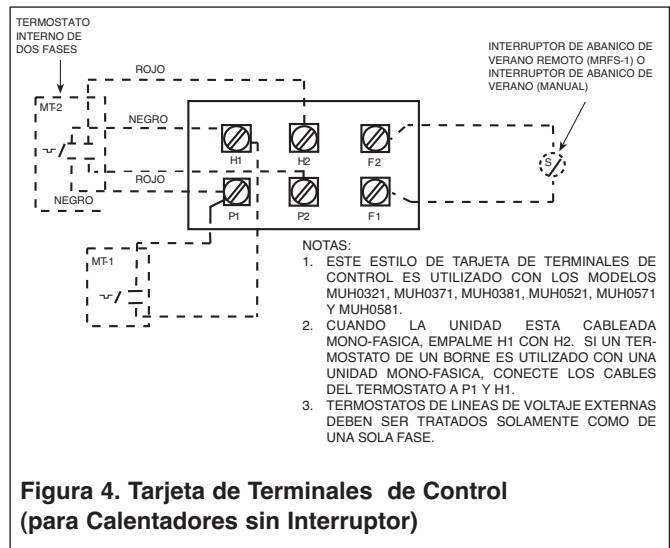
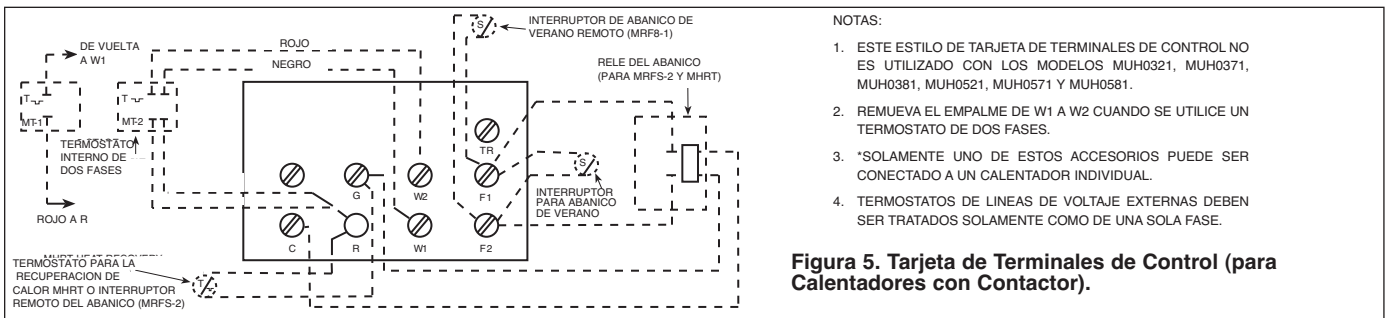


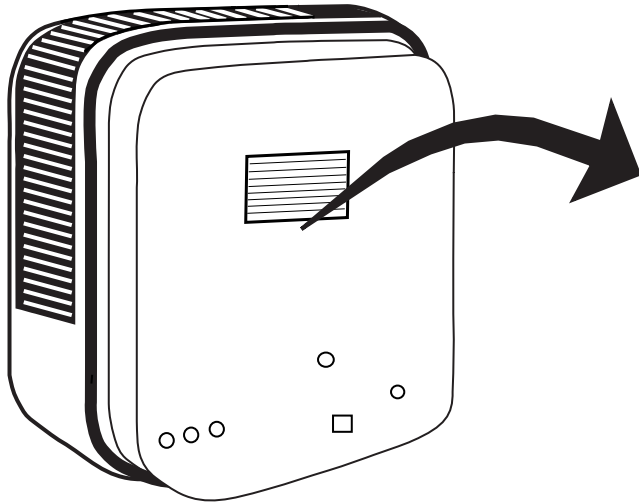
Tabla 4. Especificaciones

Modelo Básico N°	Altura pulgadas (mm)	Ancho pulgadas (mm)	Profundidad pulgadas (mm)	Peso de Instalación lbs. (kg)	Volumen del Compartimiento de Cableado				
MUH0381	16 (406.4)	14 (355.6)	7 1/2 (190.5)	27 (12.2)	90 in ³ (14.70 cm ³)				
MUH0321				27 (12.2)					
MUH0371				27 (12.2)					
MUH0341				30 (13.6)					
MUH0581				27 (12.2)					
MUH0521				27 (12.2)					
MUH0571				27 (12.2)					
MUH0541				30 (13.6)					
MUH0331				30 (13.6)					
MUH0361				30 (13.6)					
MUH0531				30 (13.6)					
MUH0561				30 (13.6)					
MUH078				21 3/4 (552.5)		19 (482.6)	7 1/2 (190.5)	38 (17.2)	100 in ³ (1639 cm ³)
MUH072								38 (17.2)	
MUH077	38 (17.2)								
MUH074	38 (17.2)								
MUH108	38 (17.2)								
MUH102	38 (17.2)								
MUH107	38 (17.2)								
MUH104	38 (17.2)								
MUH073	38 (17.2)								
MUH076	38 (17.2)								
MUH103	38 (17.2)								
MUH106	38 (17.2)								
MUH158	21 3/4 (552.5)	19 (482.6)	12 3/4 (323.9)		54 (24.5)			140 in ³ (2295 cm ³)	
MUH152					50 (22.7)				
MUH154				50 (22.7)					
MUH208				60 (27.2)					
MUH202				55 (24.9)					
MUH204				55 (24.9)					
MUH156				55 (24.9)					
MUH206				55 (24.9)					
MUH252				30 (76.2)	26 5/8 (676.4)	11 3/4 (298.5)	89 (40.4)		504 in ³ (8260 cm ³)
MUH254							89 (40.4)		
MUH308	89 (40.4)								
MUH302	89 (40.4)								
MUH304	89 (40.4)								
MUH256	89 (40.4)								
MUH306	89 (40.4)								
MUH402	30 (76.2)	26 5/8 (676.4)	17 1/4 (435.1)				119 (54.0)	648 in ³ (10620 cm ³)	
MUH404				119 (54.0)					
MUH508				119 (54.0)					
MUH502				119 (54.0)					
MUH504				119 (54.0)					
MUH406				119 (54.0)					
MUH506				119 (54.0)					



INFORMACION IMPORTANTE

PLACA DEL FABRICANTE



MODELO NO. MUH321		CODIGO DE FECHA 0395	
MFG. NO.			
VOLTS AC	KILOWATTS	FASE	AMPACIDAD MIN. DE
60 HZ			ALIMENTACION DE CIR.
208 / 240	2.2 / 3	1	
MAX. FUSIBLE	MOTOR	CONTROLES	CLIENTE N°
	VAC	AMP	VAC
	208/240	.25	208/240
FLUJO DE	ESPACIO MINIMO DE INSTALACION		
AIRE	LADO	ATRAS	TECHO
HORIZ.	6"	9.5"	2"
VERT.	18"	18"	6"
			PISO
			7'
			7'

¡ADVERTENCIA! NO VOLTEE LAS PERSIANAS POR ENCIMA DEL NIVEL DE LA UNIDAD. DESCONECTE ANTES DE REPARAR. SI SE UTILIZA CONTROL EXTERNO, TAMBIEN SE DEBE DESCONECTAR LA FUENTE DE ALIMENTACION EXTERNA.

NE PAS RELEVER LES LAMES AU-DEL' A DU NIVEAU PREVU DE L'APPAREIL. METTRE HORS TENSION AVANT DE PROCEDER A L'ENTRETIEN. SI UNE COMMANDE EXTERNE EST UTILISEE, COUPER AUSSE L'ALIMENTATION EXTERNE. ASSURER UN DEGAGEMENT D'AU MOINS 6 PI ENTRE L'APPAREIL DE CHAUFFAGE ET LEPLANCHER.

 CALENTADOR DE AIRE LISTADO 774G

MARLEY ENGINEERED PRODUCTS
BENNETTSVILLE, SC 29512

4104-0275-036

GARANTIA LIMITADA

Todos los productos fabricados por Marley Engineered Products están garantizados contra defectos de mano de obra y materiales durante un año a partir de la fecha de instalación, excepto los elementos calefactores que están garantizados contra defectos en mano de obra y materiales durante cinco años a partir de la fecha de instalación. Esta garantía no se aplica por daños ocurridos por accidente, mal uso, o alteración, ni cuando el voltaje conectado sea 5% mayor que el indicado en la placa de nombre; ni al equipo instalado o cableado indebidamente, o mantenido en violación de esta hoja de instrucciones. Todos los reclamos de trabajo de garantía deben estar acompañados por prueba de la fecha de instalación.

El cliente será responsable por todos los costos incurridos en la extracción o reinstalación de los productos, incluyendo costos de mano de obra, y costos de transporte incurridos al retornar los productos a Marley Engineered Products Service Center, y nosotros las repararemos o reemplazaremos, a nuestra opción, sin cargo para usted, con transporte de regreso pagado por Marley. Se acuerda mutuamente que tal reparación o reemplazo es el remedio exclusivo disponible de Marley Engineered Products.

LAS GARANTIAS INDICADAS ARRIBA SON A CAMBIO DE CUALQUIER OTRA GARANTIA EXPRESA O IMPLICITA Y SE DESCONOCEN Y EXCLUYEN DE ESTE ACUERDO TODAS LAS GARANTIAS IMPLICITAS DE COMERCIALIZACION Y APTITUD PARA UN FIN PARTICULAR QUE EXCEDAN LAS GARANTIAS PREVIAMENTE EXPRESADAS. MARLEY ENGINEERED PRODUCTS NO SERA RESPONSABLE POR DAÑOS CONSECUENTES ORIGINADOS POR EL PRODUCTO, YA SEAN QUE ESTEN BASADOS EN NEGLIGENCIA, LITIGACION, RESPONSABILIDAD ESTRICTA O CONTRATO.

Algunos estados no permiten la exclusión o limitación de los daños incidentales o consecuentes, de manera que la exclusión o limitación indicada arriba puede no aplicarse a usted. Esta garantía le otorga derechos legales específicos, y usted puede tener también otros derechos que varían de estado a estado.

Llame a Marley Engineered Products en Bennettsville, SC al 1-800-642-4328 para la dirección de su centro autorizado de servicio más cercano. La mercancía retornada a la fábrica debe estar acompañada por una autorización de retorno y una etiqueta de identificación de servicio, ambas disponibles de la ubicación indicada. Incluya todos los números de catálogo mostrados en el producto, al requerir autorización de retorno.

COMO OBTENER SERVICIO EN GARANTIA, PIEZAS DE REPUESTO E INFORMACION GENERAL

- | | |
|---|--|
| 1. Servicio o repuestos, en garantía: | 1-800-642-4328 |
| 2. Compra de piezas de repuesto: | 1-800-654-3545 |
| 3. Información general sobre productos: | www.marlymep.com |

Nota: Cuando solicite servicio, siempre dé la información que sigue:

1. Número de modelo del producto
2. Fecha de fabricación
3. Número de parte o descripción



Marley
Engineered Products

An **SPX** Company

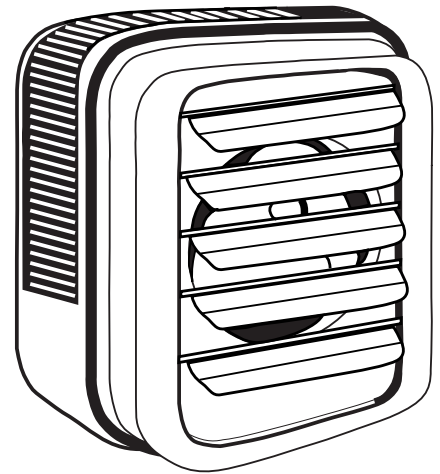
470 Beauty Spot Rd. East
Bennettsville, SC 29512 USA

ECR 36699

9/06

16

No. de Pieza 5200-0722-011



Homologués U.L.

Série MUH

Radiateurs modulaires

Notice d'installation et d'entretien

Cher utilisateur,

Félicitations ! Nous vous remercions d'avoir fait l'acquisition de ce nouveau radiateur fabriqué par Marley Engineered Products. Vous avez fait un bon investissement en choisissant un appareil de qualité imbattable. Veuillez lire attentivement et suivre scrupuleusement les consignes de ce manuel concernant l'installation et l'entretien. Nous sommes sûrs que vous bénéficierez de nombreuses années de confort grâce à cet appareil de chauffage efficace de Marley Engineered Products... le numéro 1 du secteur du chauffage en matière de conception, fabrication, qualité et service.

*... Les employés de
Marley Engineered Products*



AVERTISSEMENT



À lire attentivement : Cette notice a pour objet de vous aider à éviter les difficultés qui pourraient surgir lors de l'installation des radiateurs. Vous économisez beaucoup de temps, et réaliserez des économies plus tard en prenant connaissance de cette notice. Procédez de la façon indiquée ci-dessous et abrégez le temps nécessaire à l'installation.

1. Pour empêcher tout risque possible d'électrocution, couper le courant arrivant au radiateur au niveau du tableau de distribution principal avant d'entreprendre un câblage ou une réparation.
2. Tout câblage doit être conforme aux codes électriques national et local en vigueur et le radiateur doit être raccordé à la terre, mesures préventives contre les risques d'électrocution.
3. Vérifier que la tension d'alimentation vers l'appareil et la tension du circuit de commande arrivant au radiateur et aux accessoires correspondent aux valeurs nominales indiquées sur la plaque signalétique du radiateur et des accessoires avant de les mettre sous tension.
4. La surface de ce radiateur est chaude pendant son utilisation. Pour éviter de se brûler, ne pas laisser la peau nue entrer en contact avec la surface chaude.

5. Ne pas introduire ou ne pas laisser pénétrer de corps étrangers dans les ouvertures de ventilation ou d'échappement, cela pouvant provoquer électrocution, incendie ou dommages au radiateur.
6. Pour empêcher tout risque d'incendie, ne pas obstruer les prises d'air ni les orifices d'échappement de quelque façon que ce soit. Éloigner les matériaux combustibles tels que caisses, tentures, etc. du radiateur. Ne pas installer cet appareil de chauffage derrière une porte, un meuble, un porte-serviettes ou des cartons.
7. Un radiateur comporte des pièces internes chaudes dans lesquelles se produisent des arcs ou des étincelles. Ne pas s'en servir dans des lieux dans lesquels on utilise ou entpose de l'essence, de la peinture ou des liquides inflammables.
8. N'utiliser ce radiateur que de la façon décrite dans cet ouvrage. Toute autre utilisation non conseillée par le fabricant risque de provoquer incendie, électrocution ou blessures.
9. Ce radiateur n'est pas agréé pour une utilisation dans une atmosphère corrosive telle que celle d'un bateau, d'une serre ou d'un entrepôt de produits chimiques.

CONSERVER CETTE NOTICE

AVIS IMPORTANTS

MISE EN GARDE

MONTER LE RADIATEUR À 213.4cm (7 PIEDS) MINIMUM AU-DESSUS DU SOL AFIN D'EMPÊCHER TOUT CONTACT ACCIDENTEL AVEC LES PALES DU VENTILATEUR, CE QUI POURRAIT PROVOQUER DES BLESSURES.

MISE EN GARDE

L FAUT QUE LA STRUCTURE DE MONTAGE AU PLAFOND ET QUE LES DISPOSITIFS D'ANCRAGE SOIENT SUFFISAMMENT RÉSISTANTS POUR POUVOIR SUPPORTER LE POIDS DU RADIATEUR ET DU SUPPORT DE MONTAGE. (VOIR LE TABLEAU 4).

MISE EN GARDE

POUR TOUS LES APPAREILS À THERMOSTATS INTÉGRÉS : SI LE RADIATEUR SERT À EMPÊCHER DES TUYAUX OU DES LIQUIDES DE GELER, ET SI LE THERMOSTAT EST RÉGLÉ À MOINS DE 7°C (45°F), IL FAUT QUE LE VENTILATEUR TOURNE EN PERMANENCE.

MISE EN GARDE

POUR EMPÊCHER TOUT RISQUE POSSIBLE DE SURCHAUFFE OU DE DOMMAGES PROVOQUÉS PAR UNE SURCHAUFFE, LAISSER UNE DISTANCE DE 152.4cm (5 PIEDS) MINIMUM À L'AVANT ET CONSULTER LE TABLEAU 1 POUR CONNAÎTRE LES DISTANCES MINIMALES SUR LES CÔTÉS ET À L'ARRIÈRE.

NE JAMAIS MONTER DE THERMOSTAT À MERCURE DIRECTEMENT SUR L'APPAREIL. LES VIBRATIONS POURRAIENT PROVOQUER UN MAUVAIS FONCTIONNEMENT DU RADIATEUR.

INTERRUPTEUR MANUEL DE REMISE EN MARCHÉ (OPTION INSTALLÉE EN USINE UNIQUEMENT). L'INTERRUPTEUR MANUEL DE REMISE EN MARCHÉ EST SITUÉ À L'INTÉRIEUR DU RADIATEUR, À LA PARTIE ARRIÈRE. SUR LES MODÈLES MUH03 ET MUH05, L'ACCÈS AU BOUTON

MANUEL DE REMISE EN MARCHÉ EST SITUÉ SUR LE CÔTÉ DROIT (LORSQU'ON SE PLACE À L'ARRIÈRE DE L'APPAREIL); SUR TOUS LES AUTRES MODÈLES IL EST SITUÉ PRÈS DE LA PARTIE SUPÉRIEURE ARRIÈRE DU RADIATEUR.

L'INTERRUPTEUR MANUEL DE REMISE EN MARCHÉ EST MONTÉ EN SÉRIE AVEC LE PROTECTEUR DE RECYCLAGE AUTOMATIQUE (LIMITE). L'APPAREIL NE REFOUNCTIONERA PAS TANT QUE L'ON N'AURA PAS APPUYÉ SUR CE BOUTON.

CONSEILS POUR L'EMPLACEMENT DU RADIATEUR

Disposer les radiateurs pour que le flux d'air chaud :

- rencontre un minimum d'obstacles tels que colonnes, machines ou cloisons;
- balaie les murs exposés sans souffler directement sur eux;
- soit dirigé à l'opposé des occupants de la pièce dans le cas d'un chauffage de confort;
- soit dirigé du côté venté lorsque les radiateurs sont installés dans un bâtiment exposé à un vent prédominant.

Placer les thermostats à 1524 mm (5 pieds) du sol sur des cloisons intérieures, ou sur des colonnes à l'abri de courants d'air froid, de sources de chaleur internes et de flux d'air chaud provenant de radiateurs.

Les petites pièces peuvent être chauffées par un seul appareil de chauffage.

Les plus grandes pièces nécessitent plusieurs appareils. Le nombre et la puissance des appareils dépendra du volume des locaux et de la superficie à chauffer. Disposer les appareils pour fournir un périmètre de circulation d'air où chaque appareil favorise le courant d'air d'un autre appareil.

MONTAGE DU RADIATEUR GÉNÉRALITÉS

Le radiateur peut être monté de façon à décharger l'air chaud soit horizontalement, soit verticalement. Lorsque le radiateur est monté pour une décharge verticale, il est conseillé de le disposer de façon à ce que la porte d'accès se trouve ailleurs que face à un mur afin de faciliter l'accès au compartiment de câblage et de commande. Si le radiateur est monté de façon à ce que la porte d'accès se trouve face au mur, laisser une distance au mur suffisante pour permettre la pleine ouverture de la porte d'accès (la distance doit être environ égale à la largeur du radiateur... vérifier qu'il existe un espace suffisant avant l'installation). Avant de monter le radiateur, se reporter au tableau 1 qui indique les distances à respecter par rapport au mur et au plafond.

Le radiateur peut se monter pour une décharge verticale ou horizontale à l'aide de tiges filetées. (Se reporter au tableau 2 pour connaître les dimensions des tiges filetées requises). Suivre les méthodes détaillées dans les instructions d'installation suivantes.

Le radiateur peut aussi se suspendre au mur ou au plafond à l'aide d'un support en option (de type MMB ou MCMB) qui permet le pivotement horizontal du radiateur.

Une fois le radiateur installé, on peut orienter les persiennes de manière à diriger le flux d'air chaud de la façon souhaitée.

Lorsque le radiateur est installé pour une décharge horizontale, les persiennes doivent diriger l'air tout droit ou vers le bas. L'air dirigé vers le haut peut rester dans la zone du plafond, ce qui gaspille de l'énergie.

DÉCHARGE HORIZONTALE (Montage sur tige au plafond)

1. Monter quatre tiges filetées de fixation dans les trous filetés et les bloquer en place à l'aide de contre-écrous (Voir tableau 2).
2. Fixer fermement les quatre tiges filetées au plafond. (Se reporter au tableau 1 indiquant les distances à respecter par rapport aux murs et au plafond et au tableau 2 qui indique l'espacement des tiges de fixation).

Tableau 1. Distances par rapport aux murs et au plafond en mm (pouces)

Appareil	Dégagement	Plafond	Mur Latéral	Mur Arrière
3 & 5 kW	Horiz.	2 (50.8)	6 (152.4)	9 (228.6)
	Vert.	6 (152.4)	18 (457.2)	18 (457.2)
7.5 to 10 kW	Horiz.	6 (152.4)	6 (152.4)	13 (330.2)
	Vert.	6 (152.4)	24 (609.6)	24 (609.6)
15 to 10 kW	Horiz.	6 (152.4)	9 (228.6)	12 1/2 (317.5)
	Vert.	6 (152.4)	24 (609.6)	24 (609.6)
25 to 50 kW	Horiz.	16 (406.4)	12 (304.8)	18 1/2 (470.0)
	Vert.	12 (304.8)	39 (914.4)	39 (914.4)

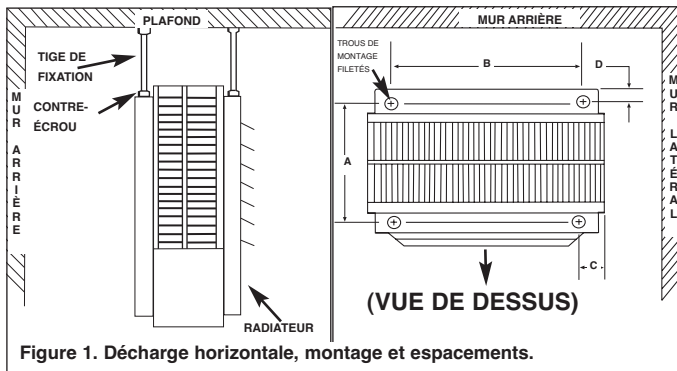


Figure 1. Décharge horizontale, montage et espacements.

Tableau 2. Filetage de la tige et dimensions de l'espacement en mm (po) pur décharge horizontale

Appareil	Type de filetage de la tige	A	B	C	D
3 - 5 kW	5/16 - 18	6 1/16 (153.9)	6 (152.4)	4 1/16 (103.1)	3/4 (19.0)
7.5 - 10 kW		11 3/8 (289.0)	8 7/8 (225.6)	5 1/8 (130.3)	3/4 (19.0)
15 - 20 kW			10 9/16 (268.2)	14 - 12 (368.3)	6 3/16 (157.2)
25 - 30 kW	3/8 - 16	15 15/16 (404.9)	14 - 12 (368.3)	6 3/16 (157.2)	5/8 (16.0)
40 - 50 kW					

DÉCHARGE VERTICALE (Tige montée au plafond)

1. Enlever les boulons des tiges filetées à l'arrière du radiateur.
2. Monter quatre tiges de fixation filetées dans les trous filetés et fixer en place à l'aide de contre-écrous.

3. Fixer solidement les quatre tiges filetées au plafond. (Se reporter au tableau 1 où figurent les distances à respecter par rapport au mur et au plafond et au tableau 3 indiquant les dimensions pour l'espacement des tiges de fixation).

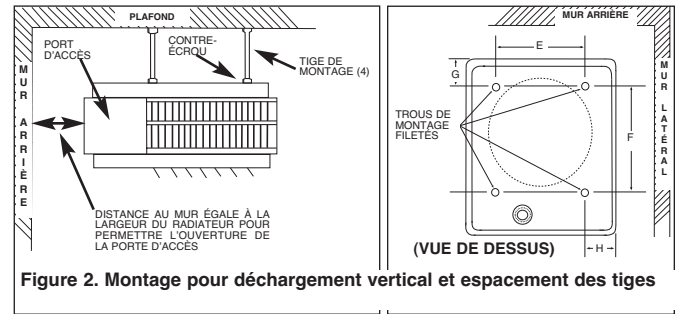


Figure 2. Montage pour déchargement vertical et espacement des tiges

Tableau 3. Type de tiges filetées et dimensions de l'espacement des tiges en mm (po) pour une décharge verticale

Appareil	Type de filetage de la tige	E	F	G	H
3 - 5 kW	5/16 - 18	6 (152.4)	9 3/4 (247.7)	2 (50.8)	4 1/16 (103.1)
7.5 - 20 kW		8 7/8 (225.6)	14 5/8 (371.6)	2 (50.8)	5 1/8 (130.3)
25 - 30 kW	3/8 - 16	14 1/2 (368.3)	21 1/4 (539.8)	2 3/16 (56.0)	6 3/16 (157.2)

CÂBLAGE CIRCUIT D'ALIMENTATION (PUISSANCE)

1. Brancher le radiateur uniquement à la tension, au courant et à la fréquence spécifiés sur la plaque de firme.
2. La taille des fils de câblage sur site doit être convenablement choisie pour transporter l'ampérage en conformité avec le NEC.
3. La porte d'accès est munie de charnières. Il faut desserrer une ou deux vis accessibles par les côtés pour y accéder. Il s'agit de vis prisonnières : ne pas essayer de les retirer.
4. Une pastille défonçable est fournie à l'arrière du radiateur près du bornier secteur et de la plaque à bornes de commande. La partie défonçable du bornier de commande est pour un conduit de 12,7 mm (1/2 po). La pastille défonçable pour bornier de puissance est de diamètre multiple. Utiliser le diamètre correspondant à la taille requise du conduit.
5. Une borne de masse est fournie près de la plaque à bornes de puissance. Le fil de masse doit être branché avant d'effectuer tout autre raccordement.
6. Le TB de puissance est équipé des bornes de boîte classées pour accepter le fil correct d'alimentation d'énergie de taille. Le circuit la minute évaluée par fil 600V, 60° C de branche est acceptable pour des réchauffeurs évalués jusqu'à 80 ampères. Pour des réchauffeurs évalués plus de 80 ampères, s'embranchent le fil de circuit doit être au moins 75°C évalué. L'aluminium ou le fil de en cuivre est satisfaisant pour le raccordement à la borne de boîte de TB de puissance de réchauffeur. Le fil de cuivre est recommandé et doit être employé avec le commutateur intégré de débranchement.

7. Un schéma de câblage est collé sur la face interne de la porte d'accès. Se reporter au schéma avant d'effectuer un quelconque raccordement sur le site.
8. Un raccordement sur secteur monophasé ou triphasé peut être utilisé sur les radiateurs modèles MUH0521, MUH0581, MUH072, MUH078, MUH102, MUH108, et MUH158. Ces unités sont câblées en usine pour un fonctionnement en monophasé. Si ces radiateurs doivent être utilisés sur une alimentation en triphasé, rebrancher les fils comme l'indique le schéma de câblage livré avec le radiateur. Les figures 3a et 3b illustrant le câblage ainsi que les consignes ci-dessous apportent des renseignements supplémentaires.

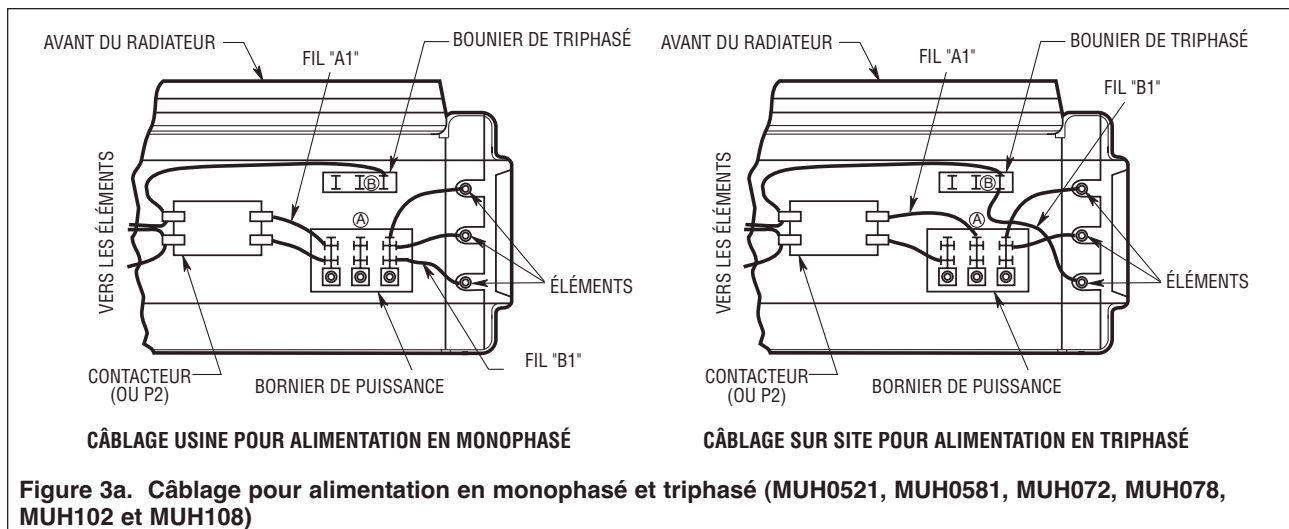
Sur les modèles MUH0521, MUH0581, MUH072, MUH078, MUH102, et MUH108 (figure 3a), déplacer uniquement les deux fils marqués "A1" et "B1"; ne déplacer et ne changer aucun autre fil. Le fil principal de l'élément marqué "B1" qui est branché en usine sur le bornier de puissance (le bornier le plus proche des éléments) doit être déplacé sur la borne marquée "B" du bornier triphasé.

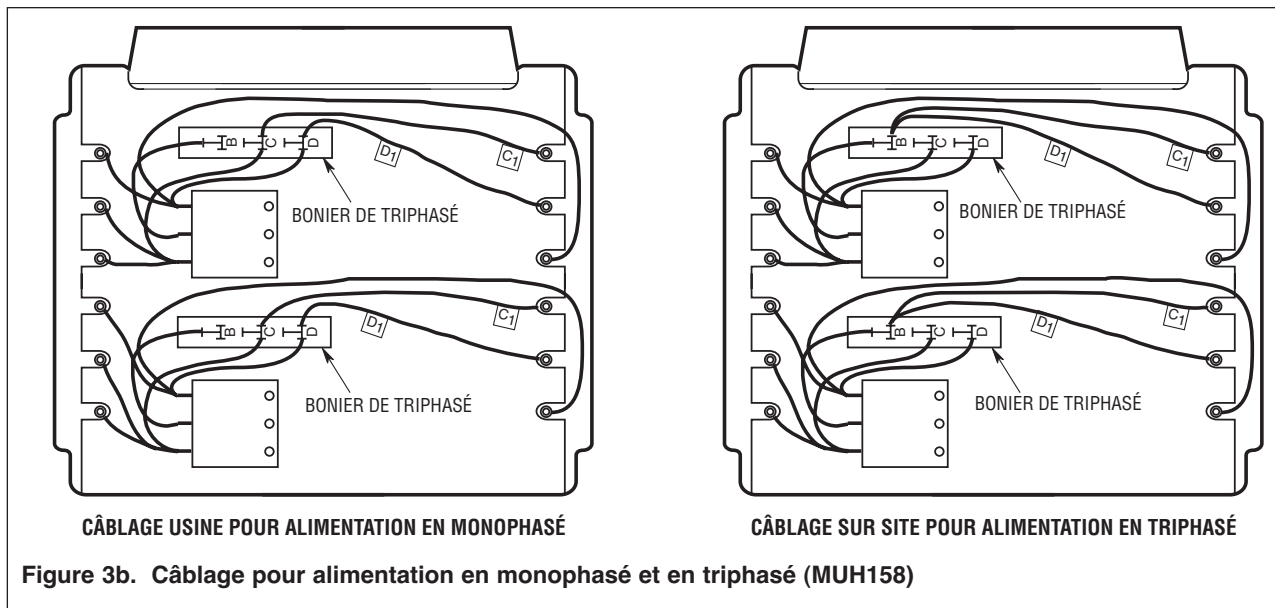
Le fil du relais (contacteur) "A1" doit être déplacé de la borne d'extrémité du bornier de puissance (borne la plus proche du contacteur ou de la plaque à bornes de commande) vers la borne "A" du bornier inférieur (borne centrale).

Le modèle MUH158 (figure 3b) est doté de deux blocs de borniers de triphasé situés tout près des relais (contacteurs). Déplacer uniquement les deux fils marqués "C1" et "D1" de chacun de ces blocs de borniers de triphasé vers le bornier "B". Ne déplacer et ne changer aucun autre fil.

9. Les accessoires électriques, kits ou options installés en usine, sont indiqués par un trait en pointillé sur le schéma de câblage du radiateur.

10. **RADIATEUR DE 208/240 V.** Échanger les fils rouge et noir primaires du transformateur (voir schéma de câblage) si le radiateur doit être branché sur du secteur en 208 Volts.





CÂBLAGE DE COMMANDE



LA TENSION SECTEUR EST PRÉSENTE SUR CERTAINES DES BORNES DE LA PLAQUE À BORNES DE COMMANDE. TOUJOURS DÉBRANCHER L'ALIMENTATION DU RADIATEUR AVANT DE PROCÉDER À UN RACCORDEMENT SUR LA PLAQUE DE COMMANDE AFIN D'ÉVITER TOUT RISQUE D'ÉLECTROCUTION.

1. Utilisez les fils Class 1 de NEC isole pour 600V minimum pour le tout le câblage de circuit de commande.
2. Utiliser une cosse à sertir en forme de fourche sur les extrémités des fils qui se fixent sur la plaque à bornes de commande du MUH si plus d'un raccordement doit être effectué sous la borne à vis.
3. Pour l'unités non-équipées de contacteur intégrale (3 et 5 kW), referez vous au Schema 4 pour le diagramme de filage.

Note: Le thermostat et les conducteurs de circuit de commande doivent supporter le courant de plein charge du radiateur (exemple: MUH0581 I est évalués à 24 amperes).

4. Pour l'unités équipées de contacteur intégrale (7kW et plus), referez vous au Schema 5 pour le diagramme de filage. Le grosseur minimum pour le câblage de circuit de commande est 18AWG

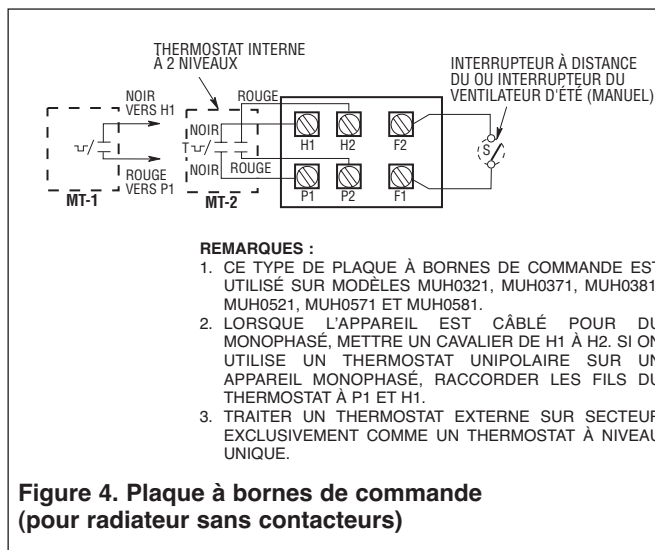
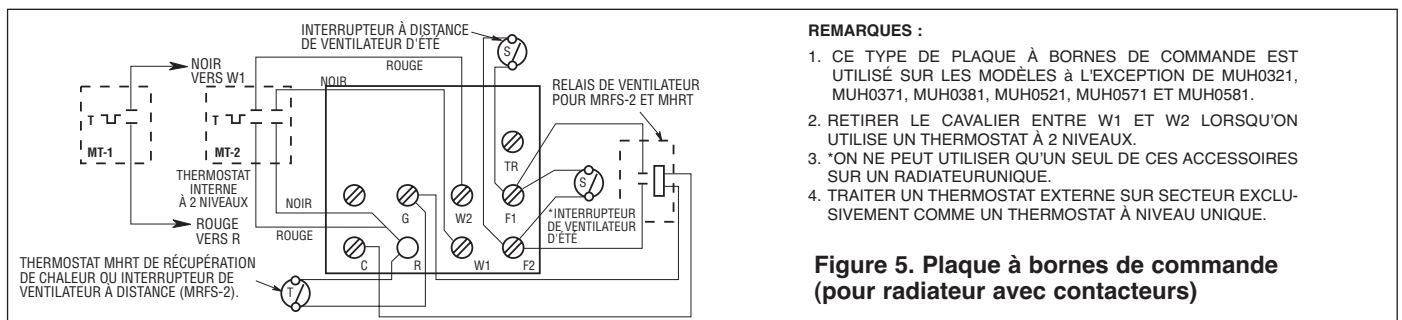
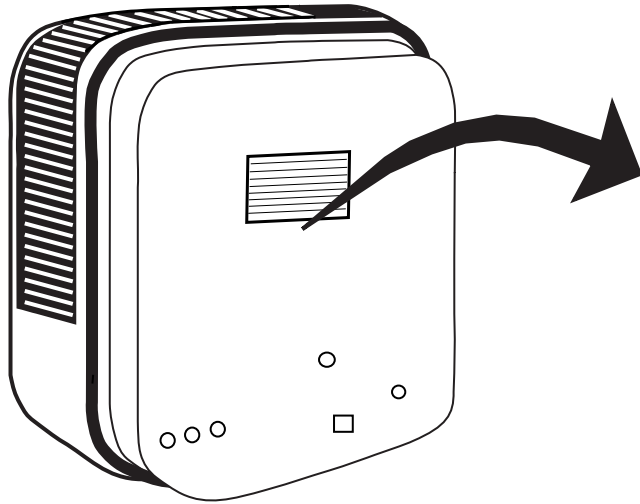


Table 4. Specifications

Modèle de base N°	Hauteur po (mm)	Largeur po (mm)	Profondeur po (mm)	Poids monté kg (livres)	Volume du Compartiment de Câblage				
MUH0381	16 (406.4)	14 (355.6)	7 1/2 (190.5)	27 (12.2)	90 in ³ (14.70 cm ³)				
MUH0321				27 (12.2)					
MUH0371				27 (12.2)					
MUH0341				30 (13.6)					
MUH0581				27 (12.2)					
MUH0521				27 (12.2)					
MUH0571				27 (12.2)					
MUH0541				30 (13.6)					
MUH0331				30 (13.6)					
MUH0361				30 (13.6)					
MUH0531				30 (13.6)					
MUH0561				30 (13.6)					
MUH078				21 3/4 (552.5)		19 (482.6)	7 1/2 (190.5)	38 (17.2)	100 in ³ (1639 cm ³)
MUH072								38 (17.2)	
MUH077	38 (17.2)								
MUH074	38 (17.2)								
MUH108	38 (17.2)								
MUH102	38 (17.2)								
MUH107	38 (17.2)								
MUH104	38 (17.2)								
MUH073	38 (17.2)								
MUH076	38 (17.2)								
MUH103	38 (17.2)								
MUH106	38 (17.2)								
MUH158	21 3/4 (552.5)	19 (482.6)	12 3/4 (323.9)		54 (24.5)			140 in ³ (2295 cm ³)	
MUH152					50 (22.7)				
MUH154				50 (22.7)					
MUH208				60 (27.2)					
MUH202				55 (24.9)					
MUH204				55 (24.9)					
MUH156				55 (24.9)					
MUH206				55 (24.9)					
MUH252				89 (40.4)	30 (76.2)	26 5/8 676.4	11 3/4 (298.5)		504 in ³ (8260 cm ³)
MUH254				89 (40.4)					
MUH308	89 (40.4)								
MUH302	89 (40.4)								
MUH304	89 (40.4)								
MUH256	89 (40.4)								
MUH306	89 (40.4)								
MUH402	30 (76.2)	26 5/8 676.4	17 1/4 (435.1)	119 (54.0)	648 in ³ (10620 cm ³)				
MUH404				119 (54.0)					
MUH508				119 (54.0)					
MUH502				119 (54.0)					
MUH504				119 (54.0)					
MUH406				119 (54.0)					
MUH506				119 (54.0)					



RENSEIGNEMENT IMPORTANT



PLAQUE DE FIRME

MODEL NO. MUH321
MFG. NO.

DATE CODE 0395

VOLTS AC 60 HZ 208 / 240	KILOWATTS 2.2 / 3	PHASE 1	MIN. SUPPLY CIR. AMPACITY
--------------------------------	----------------------	------------	------------------------------

MAX. FUSE	MOTOR VAC 208/240	CONTROLS AMP .25	VAC 208/240	CUSTOMER NO
-----------	-------------------------	------------------------	----------------	-------------

AIR FLOW	MINIMUM MOUNTING CLEARANCE			
	SIDE	BACK	CEILING	FLOOR
HORIZ.	6"	9.5"	2"	7'
VERT.	18"	18"	6"	7'

WARNING: DO NOT TURN LOUVERS ABOVE LEVEL OF THE UNIT. DISCONNECT POWER BEFORE SERVICING. IF EXTERNAL CONTROL IS USED, ALSO DISCONNECT EXTERNAL POWER SUPPLY.

NE PAS RELEVER LES LAMES AU-DEL À DU NIVEAU PREVU DE L'APPAREIL. METTRE HORS TENSION AVANT DE PROCEDER A L'ENTRETIEN. SI UNE COMMANDE EXTERNE EST UTILISEE, COUPER AUSSÉ L'ALIMENTATION EXTERNE. ASSURER UN DEGAGEMENT D'AU MOINS 6 PI ENTRE L'APPAREIL DE CHAUFFAGE ET LEPLANCHER.

MARLEY ENGINEERED PRODUCTS
BENNETTSVILLE, SC 29512



774G LISTED
AIR HEATER

4104-0275-036

GARANTIE LIMITÉE

Tous les produits mentionnés dans la présente notice sont garantis contre tout vice de matière et de construction pour une durée d'une année à partir de la date de montage, à l'exception des éléments de chauffage qui sont garantis contre tout défaut de matière et de construction pour une durée de cinq années à partir de la date de montage. Cette garantie ne s'applique pas aux dommages provoqués par un accident, une mauvaise utilisation ou une modification; elle ne s'applique pas non plus lorsque l'appareil a été branché sur un courant de tension supérieure de plus de 5% à la tension indiquée sur la plaque signalétique, ni à du matériel incorrectement monté, câblé ou entretenu, des instructions de l'installation du produit. Toute réclamation dans le cadre de la garantie doit être accompagnée d'une preuve de la date de montage.

Les frais de démontage et de remontage des produits, y compris de main-d'oeuvre ainsi que les frais d'expédition à un centre de réparation Marley Engineered Products seront à la charge du client. Retourner, dans les limites de cette garantie, l'appareil en panne, à l'atelier de réparations agréé Marley le plus proche ou au Centre de réparations Marley Engineered Products et nous le réparerons ou le remplacerons à notre choix, sans frais pour vous, l'expédition de retour étant à notre charge. Il est entendu que la réparation ou le remplacement constitue le remède exclusif fourni par Marley Engineered Products.

LES GARANTIES CI-DESSUS REMPLACENT TOUTES LES AUTRES GARANTIES EXPLICITES OU IMPLICITES ET TOUTES LES GARANTIES IMPLICITES DE QUALITÉ MARCHANDE ET D'ADAPTATION À UN BUT PARTICULIER DÉPASSANT LES GARANTIES EXPLICITES SUS-MENTIONNÉES SONT REJETÉES ET EXCLUES DE CE CONTRAT. MARLEY ENGINEERED PRODUCTS NE SERA PAS RESPONSABLE DES DOMMAGES INDIRECTS PROVOQUÉS PAR LE PRODUIT, QUE LA RÉCLAMATION SE FONDE SUR UNE FAUTE, LA NÉGLIGENCE, LA STRICTE RESPONSABILITÉ OU LE CONTRAT.

Certains états ne permettent pas les exclusions ou les limites aux dommages indirects ou consécutifs; les exclusions ou limites exposées ci-dessus risquent donc de ne pas s'appliquer à vous. Cette garantie vous donne des droits spécifiques face à la loi et vous pouvez disposer d'autres droits, variables d'un état à un autre.

Pour obtenir l'adresse du centre de réparation autorisé le plus proche, appelez Marley Engineered Products à Bennettsville, SC, États-Unis, au 1-800-642-4328. Les marchandises retournées à l'usine doivent être accompagnées du numéro d'autorisation et de l'étiquette d'identification du service, tous deux fournis par Marley Engineered Products. Inclure toutes les références figurant sur les produits dans toute demande d'autorisation de retour.

COMMENT OBTENIR DES INFORMATIONS GÉNÉRALES ET DEMANDER UNE RÉPARATION OU DES PIÈCES SOUS GARANTIE

- | | |
|--|--|
| 1. Réparations et pièces sous garantie | 1-800-642-4328 |
| 2. Achat de pièces de rechange | 1-800-654-3545 |
| 3. Informations générales sur les produits | www.marleymep.com |

Remarque : Lorsque vous demandez de l'assistance, ayez toujours en main

1. Le numéro de modèle du produit
2. La date de fabrication
3. Numéro ou description de la pièce



Marley
Engineered Products
An **SPX** Company

470 Beauty Spot Rd. East
Bennettsville, SC 29512 USA

ECR 36699

Part No. 5200-0722-011

9/06

24