

OBD SERIES HEAVY-DUTY COMMERCIAL BASEBOARD HEATERS

- 16 GAUGE FRONT COVER
- SIX MODELS - 23 VARIATIONS
- AUTOMATIC TEMPERATURE SHUTOFF
- BUILT-IN WIREWAY
- HEAVY-DUTY CONSTRUCTION
- LARGE WIRING COMPARTMENT

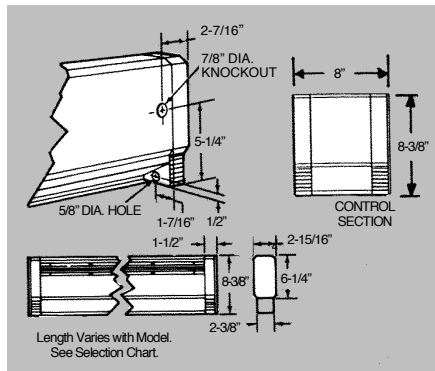
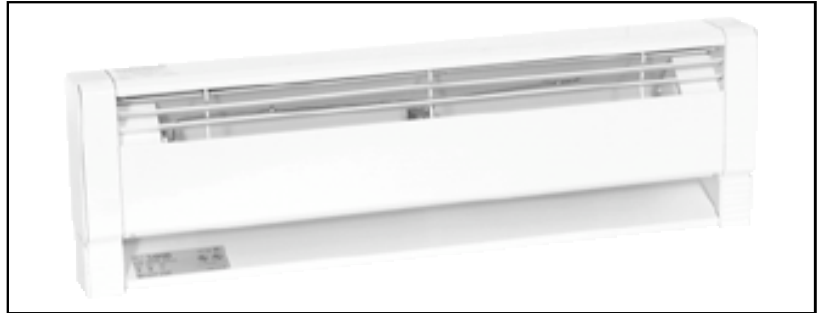
APPLICATIONS

OBD Series heavy-duty baseboard, with its complete line of accessories and controls, can solve the space heating needs of virtually any type commercial structure. Individual room control allows you to heat each room separately for utmost energy savings.

CONSTRUCTION – This heavy-duty baseboard is designed specifically for commercial use. The front cover is made of 16 gauge cold rolled steel. A built-in wireway runs the length of each heater.

ELEMENT – Heating element design combines the durability of a steel tubular heater with the excellent heat transfer characteristics of aluminum fins.

JUNCTION BOXES – Identical prewired junction boxes at each end are large and roomy to work in. Access to the junction box can be made either from the side or the front of the heater. Knockouts are provided in the backside or the bottom of each heater end.



Heavy-duty welded steel louvered grilles discourage insertion of foreign objects and direct heat outward into the room. The junction boxes are made of high-strength Lexan® to resist scratches and wear marks.



SELECTION CHART

CATALOG NUMBER	HEATER VOLTS	WATTS	BTU/HR	AMPS	LGTH.	SHIP WT. (Lbs.)
OBD500	120	500		4.2		
OBD508	208	500		2.4		
OBD504	240/208	500/375	1706	2.1/1.8	28"	7
OBD507	277/240/208	500/375/282		1.8/1.6/1.4		
OBD750	120	750		6.3		
OBD758	208	750		3.6		
OBD754	240/208	750/562	2560	3.1/2.7	34"	9
OBD757	277/240/208	750/562/422		2.7/2.3/2.0		
OBD1000	120	1000		8.3		
OBD1008	208	1000		4.8		
OBD1004	240/208	1000/750	3413	4.2/3.6	46"	12
OBD1007	277/240/208	1000/750/562		3.6/3.1/2.7		
OBD1250	120	1250		10.4		
OBD1258	208	1250		6.0		
OBD1254	240/208	1250/938	4265	5.2/4.5	58"	15
OBD1257	277/240/208	1250/938/704		4.5/3.9/3.4		
OBD1500	120	1500		12.5		
OBD1508	208	1500		7.2		
OBD1504	240/208	1500/1125	5120	6.3/5.4	70"	19
OBD1507	277/240/208	1500/1125/844		5.4/4.7/4.1		
OBD2008	208	2000		9.6		
OBD2004	240/208	2000/1500	6826	8.3/7.2	94"	26
OBD2007	277/240/208	2000/1500/1125		7.2/6.3/5.4		



FILE # E37116

ACCESSORIES

CATALOG NUMBER	DESCRIPTION	SHIP WT. (Lbs.)
LFT1	25A @ 120-277V SPST Thermostat	1
LFT2	25A @ 120-277V DPST Thermostat	1
LFT1TP	Same as LFT1 except tamper proof.	1
LFT2TP	Same as LFT2 except tamper proof.	1
LFAC	Air conditioner outlet section, 20A @ 208-240V	1
LFDR	Duplex receptacle section, 15A @ 120V	1
LFLVR0	Low voltage Relay Section, 25A @ 120V	2
LFLVR8	Low voltage Relay Section, 25A @ 208V	2
LFLVR4	Low voltage Relay Section, 25A @ 240V	2
LFCDS2	2 POLE Disconnect Switch Section	1
OBDCIC	Inside corner section	1
OBDCOC	Outside corner section	1
LFWS	8" wiring section	1
OBDBS2	2 FT. BLANK SECTION	5
OBDBS3	3 FT. BLANK SECTION	7
OBDBS4	4 FT. BLANK SECTION	10
OBDBS5	5 FT. BLANK SECTION	13
OBDBS6	6 FT. BLANK SECTION	15
OBDBS8	8 FT. BLANK SECTION	21