

## SED SERIES

# SHALLOW WALL/CEILING FAN FORCED ZONAL HEATERS

- FAST-RESPONSE COIL ELEMENT ASSURES QUICK HEAT AND LOW MAINTENANCE
- FIELD WIRING COMPARTMENT FOR EASE OF INSTALLATION
- THREE PIECE CONSTRUCTION FOR EASE OF INSTALLATION
- CEILING MOUNT UNITS AVAILABLE (1000 WATT ONLY)
- DUAL PROTECTION: THERMAL CUTOUT WITH INDICATOR LIGHT AND ONE TIME THERMAL FUSE
- CHROME AND NORTHERN WHITE GRILLE FINISHES AVAILABLE
- BUILT-IN DOUBLE POLE THERMOSTAT ON ALL UNITS

### APPLICATIONS

Ideally suited for recessed Shallow Wall Mount applications, such as manufactured homes.

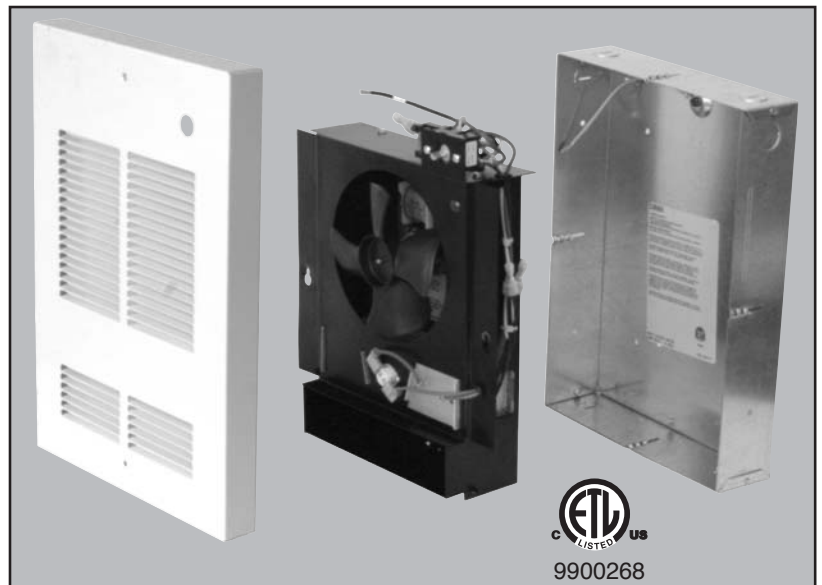
**RESIDENTIAL:** Suitable for use in almost any room. Use single heaters in smaller rooms such as bedrooms and bathrooms. Use multiple heaters (controlled by a single remote thermostat) in larger rooms such as living rooms and family rooms. Wattage levels should be determined by heat loss calculations.

**COMMERCIAL:** Suitable as the primary heat source in smaller rooms and as supplemental heat in almost any general use area.

### MOUNTING LIMITATIONS

**WALL MOUNT:** Do not install back box closer than 4.5 inches from floor or adjacent walls, and 12 inches from ceiling. Do not install heater behind towel rack, behind door, in floor, in closet, or where airflow may be obstructed. To insure proper operation, maintain 3-foot clearance to furniture or other objects placed directly in front of the heater.

**CEILING MOUNT:** Only 1000-Watt units are suitable for ceiling mount applications. Do not install the back box closer than 12 inches to any adjacent wall. Do not install heater where airflow may be obstructed.



### SELECTION CHART

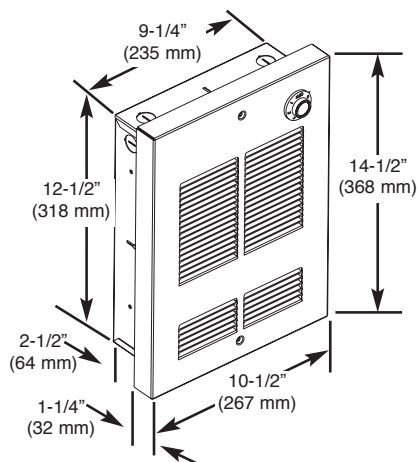
CATALOG NUMBER	VOLTS	WATTS	AMPS	WEIGHT	GRILLE FINISH	CEILING MOUNT
SED1012C	120	1000	8.3	12	CHROME	YES
SED1024C	240/208	1000/750	4.2/3.6	12	CHROME	YES
SED1512	120	1500	12.5	12	NORTHERN WHITE	NO
SED2024	240/208	2000/1500	8.3/7.2	12	NORTHERN WHITE	NO

### ACCESSORIES

CATALOG NUMBER	DESCRIPTION	SHIPPING WEIGHT
SEDSM	Surface Mounting Frame- Northern White	3
SEDSMC	Surface Mounting Frame- Chrome	3
SEDFCW	Front Cover- Northern White	2
SEDFCC	Front Cover- Chrome	2

\*\* Single phase 60 Hz. A.C.; 240 Volt units will operate on 208 Volt with 25% reduction in output.

NOTE: For installations over 7500 feet above sea level we recommend using models under 1500 watts.



ZBL-BDSWO