

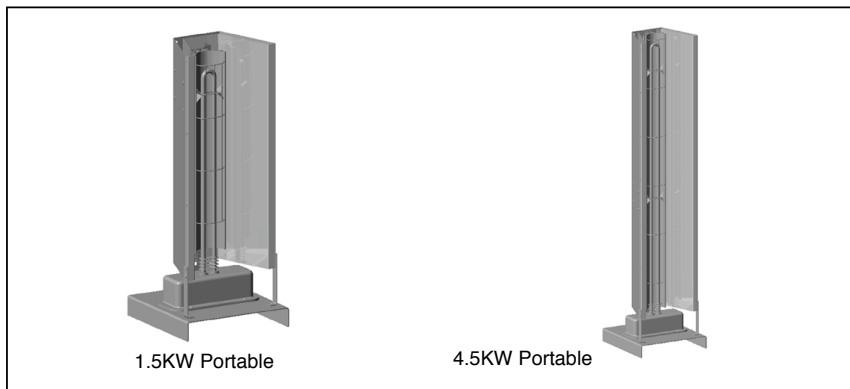


A Marley Engineered Products Brand

WRL SERIES

PORTABLE INFRARED HEATERS

- **HEAVY DUTY HAIRPIN METAL SHEATH HEATING ELEMENT**
- **UL AND CUL APPROVED**
- **1.5, 2.0 AND 4.5 KW HEAT OUTPUTS AVAILABLE**
- **VOLTAGES INCLUDE 120, 208, 240, 277, 480 AND 600**
- **SINGLE PHASE OPERATION ONLY**
- **1500 WATT 120 VOLT MODEL HAS ATTACHED CORD AND PLUG**
- **STURDY BASE ASSEMBLY PROVIDES TIP RESISTANT DESIGN**



depend on the intensity of the wattage output. The WRL Series has three wattage outputs to choose from and starting as low as 1.5 KW.

The construction of the WRL Series heater is simple. Aluminum extruded housing keeps the heating element secure while providing a focal point where a highly polished aluminum reflector emits straight-line heating. An extension reflector constructed of polished aluminum extends over the assembly to provide a uniform heating pattern. The hand-carry units have a rear-mounted carrying handle and the heater is mounted on a heavy duty, tip-resistant, pedestal.

APPLICATIONS

This type portable low watt density industrial infrared heater is designed to provide clean, odor-free heat for indoor and outdoor work stations and is a good source of heat for use in areas where dependence on air movement is impractical. Loading docks, walkways, assembly areas, enclosed smoking areas, repair stations and storage areas are just a

few examples of where WRL Series infrared heaters are often used.

DESCRIPTION

The WRL Series infrared heater is an excellent choice of spot heating. Often, a series of spot heat areas can be incorporated within the total area to avoid maintaining a higher ambient temperature throughout the building or room. Comfort levels will

The heating element connects to a gasketed moisture resistant terminal enclosure. This allows the heater to be washed down provided the heater is disconnected from the power supply.

SELECTION CHART

CATALOG NUMBER	WATTS	VOLTS	PHASE	REFLECTOR ANGLE	ELEMENT TYPE	SHIP WT.	AVAIL.
HAND CARRY PORTABLE WITH ATTACHED CORD & PLUG							
WRL1511	1500	120	1	90° Symm	Metal Sheath	15 lbs	S

Note: This hand carry model includes cord and standard 2-prong grounding plug.

HAND CARRY PORTABLE WITHOUT ATTACHED CORD & PLUG							
WRL2081		208					NS
WRL2021		240					S
WRL2071	2000	277	1	90° Symm	Metal Sheath	18 lbs	NS
WRL2041		480					S
WRL2061		600					NS
WRL4581		208					NS
WRL4521		240					S
WRL4571	4500	277	1	90° Symm	Metal Sheath	25 lbs	NS
WRL4541		480					S
WRL4561		600					NS

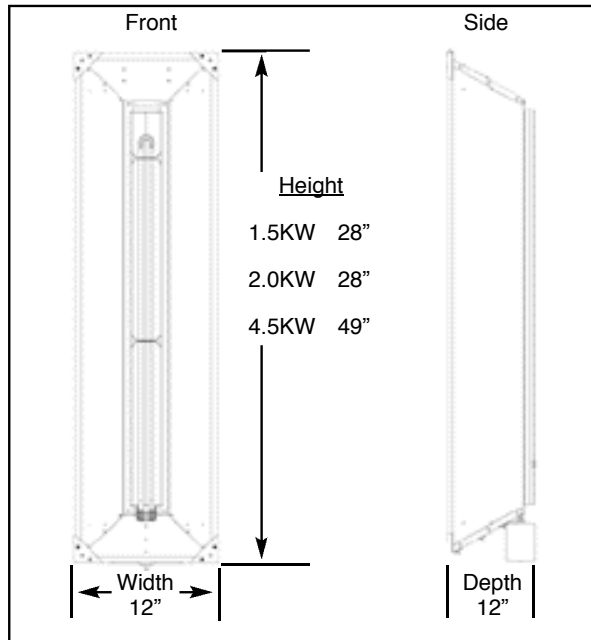
CORD SETS FOR HAND CARRY HEATERS

CATALOG NUMBER	LENGTH (FT.)	CORD SETS FOR HEATERS	SHIP WT.	AVAIL.
CS200	25	For use with 2000 Watt heaters 14/3	7 lbs.	S
CS450	25	For use with 4500 Watt heaters 12/3	7 lbs.	S

OPTIONAL ACCESSORIES

CATALOG NUMBER	DESCRIPTION	KW	Available	SHIP WT.
WMGF240	Wall Mounted Ground Fault Detection for 240V - Nema 4 encl.	All KW Ratings	NS	17 lbs
WMGF480	Wall Mounted Ground Fault Detection for 480V - Nema 4 encl.	All KW Ratings	NS	17 lbs

DIMENSIONS



MOUNTING LIMITATIONS:

Not to be used in hazardous or wet locations. A minimum of 7 feet to the front of the heater.