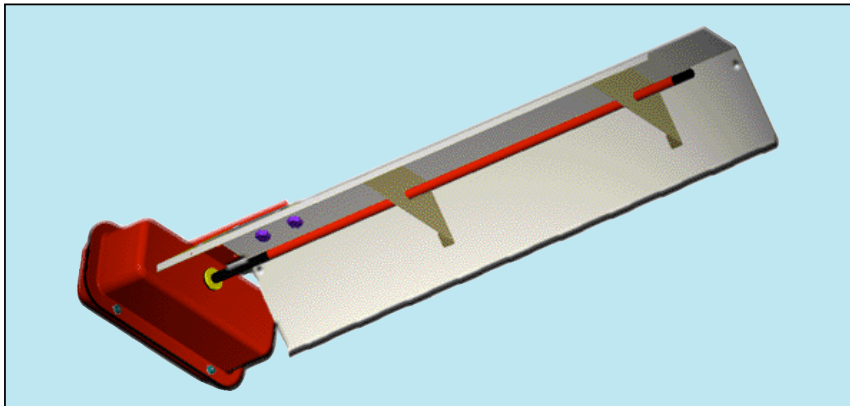


YRN SERIES INDUSTRIAL PERMANENT INFRARED HEATERS

- **HEAVY DUTY STRAIGHT METAL SHEATH HEATING ELEMENT**
- **UL AND CUL APPROVED**
- **1.0, 1.5, 2.0 AND 2.5 KW HEAT OUTPUTS AVAILABLE**
- **VOLTAGES INCLUDE 120, 208, 240, 277 AND 347**
- **SINGLE PHASE OPERATION ONLY**
- **HEATER CAN BE WASHED DOWN - AFTER BEING DISCONNECTED**
- **SAFETY GRILLES AVAILABLE**



can be incorporated within the total area to avoid maintaining a higher ambient temperature throughout the building or room. Comfort levels will depend on the intensity of the wattage output. The YRN Series has four wattage outputs to choose from and starting as low as 1KW.

The construction of the YRN Series heater is simple. Aluminum extruded housing keeps the heating element secure while providing a focal point where a highly polished aluminum reflector extends over the assembly to provide a uniform heating pattern.

APPLICATIONS

The lower watt density industrial permanently installed infrared heaters are designed to provide heavy-duty spot heating and is a good source of heat for use in areas where dependence on air movement is impractical. Loading docks, walkways, assembly areas, enclosed smoking areas, repair stations and

storage areas are just a few examples of where the YRN Series infrared heaters can be used.

DESCRIPTION

The YRN Series infrared heater is an excellent choice for spot heating. Often, a series of spot heat areas

The heating element connects to a gasketed, moisture resistant terminal enclosure. This allows the heater to be washed down provided the heater is disconnected from the power supply.

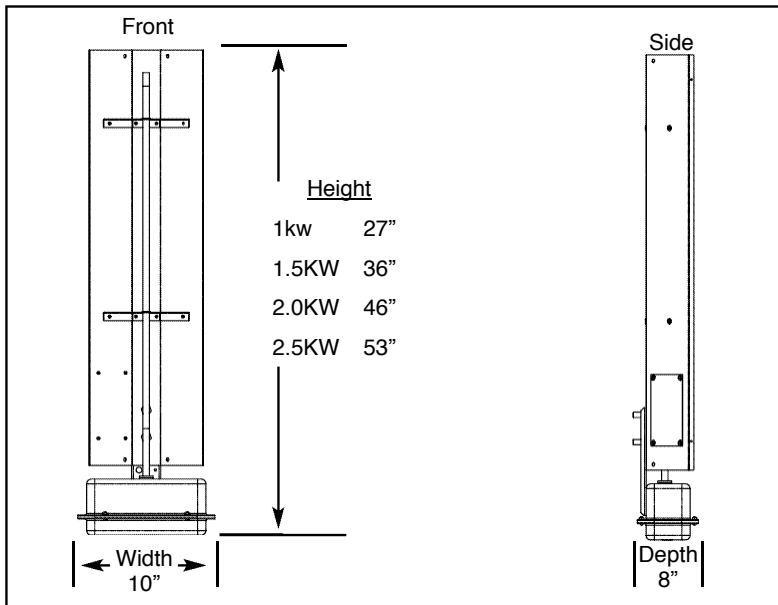
HEATER SELECTION CHART

CATALOG NUMBER	WATTS	VOLTS	PHASE	REFLECTOR ANGLE	ELEMENT TYPE	SHIP WT.	AVAIL.
YRN1011	1,000	120	1	90° Symm	Metal Sheath	10 lbs	S
YRN1081		208					NS
YRN1021		240					S
YRN1511	1,500	120	1	90° Symm	Metal Sheath	15 lbs	S
YRN1581		208					NS
YRN1521		240					S
YRN1571		277					NS
YRN1531		347					NS
YRN2001	2,000	208	1	90° Symm	Metal Sheath	18 lbs	S
YRN2021		240					S
YRN2071		277					NS
YRN2031		347					NS
YRN2501	2,500	208	1	90° Symm	Metal Sheath	20 lbs	S
YRN2521		240					S
YRN2571		277					NS
YRN2531		347					NS

WIRE GUARDS / HANGING KITS

CATALOG NUMBER	QUANTITY REQUIRED	DESCRIPTION	SHIP WT.	AVAIL.
YRNWG01	1	Wire guard for use with 1KW YRN heaters	3 lbs	S
YRNWG105	1	Wire guard for use with 1.5 KW YRN heaters	5 lbs	S
YRNWG200	1	Wire guard for use with 2.0 KW YRN heaters	7 lbs	S
YRNWG250	1	Wire guard for use with 2.5 KW YRN heaters	10 lbs	S
XRMHK	1	Hanging Kit. Includes chain & hooks	2 lbs	S

DIMENSIONS



MOUNTING LIMITATIONS:
Minimum Mounting Height from floor to bottom of heater is 8 feet.



A Marley Engineered Products Brand
470 Beauty Spot Rd. E, Bennettsville, SC 29512

Distributed By:

